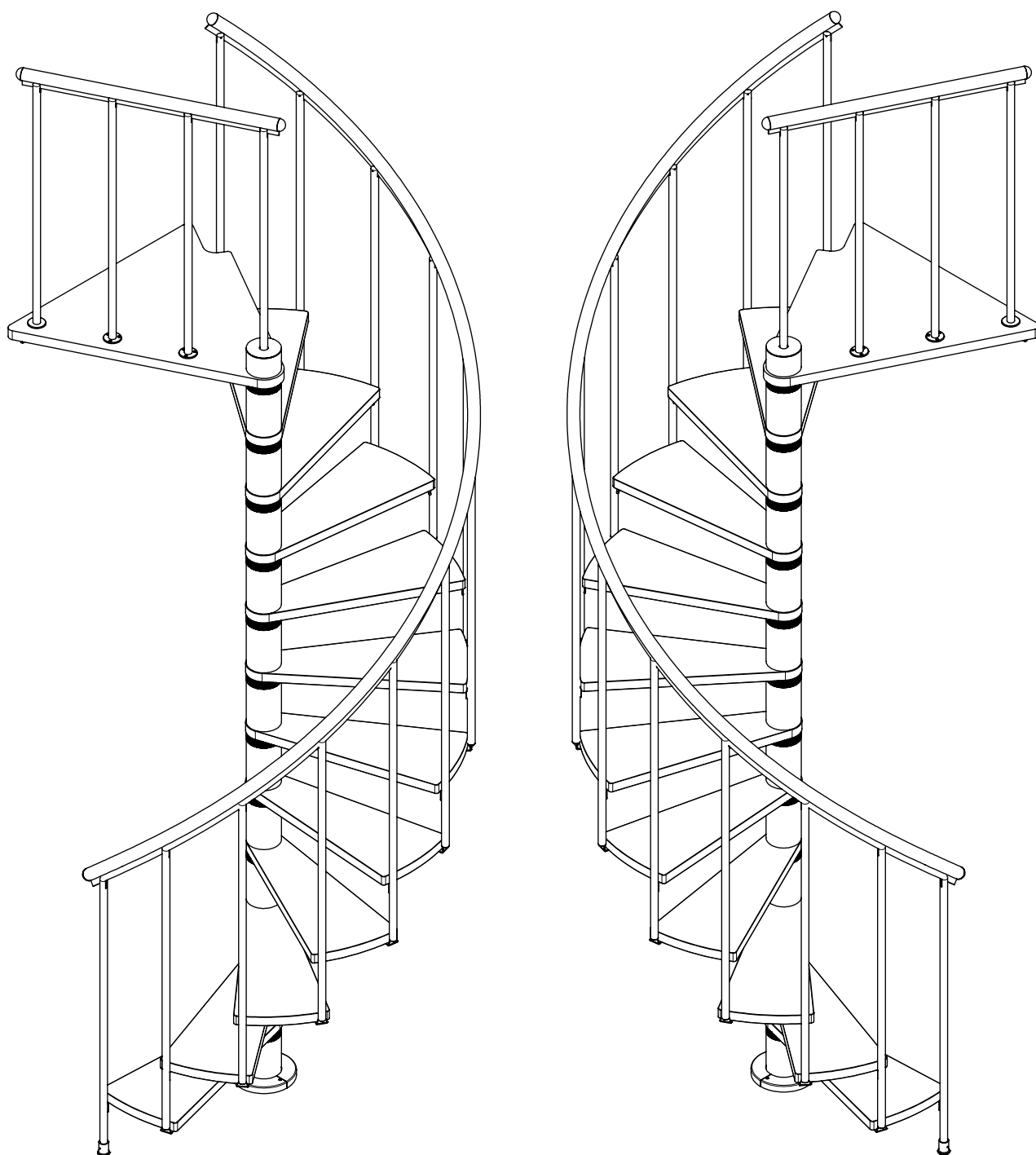
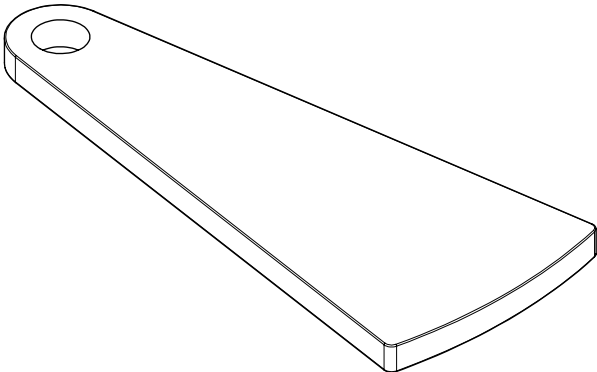




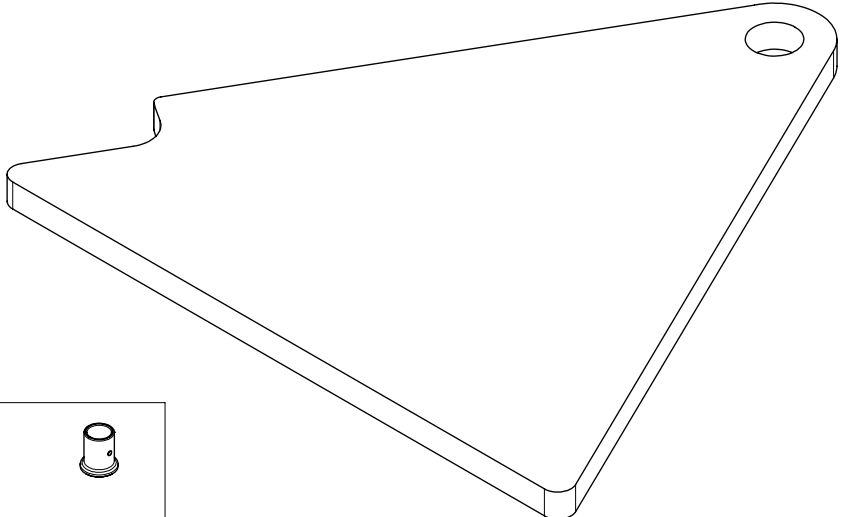

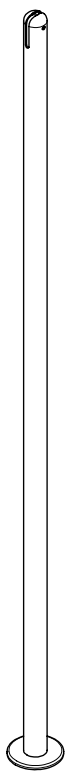
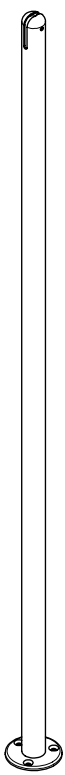

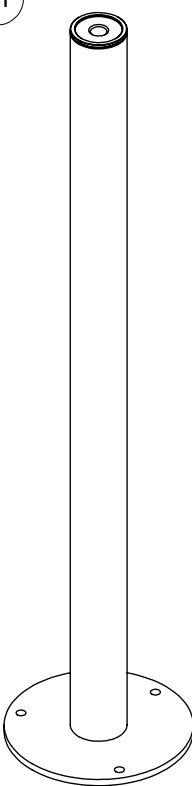





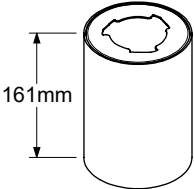
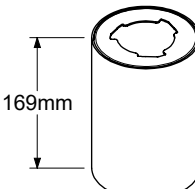
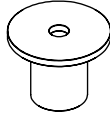
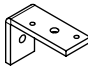
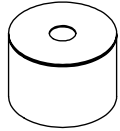

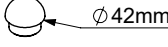
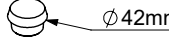
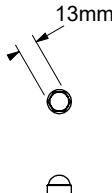
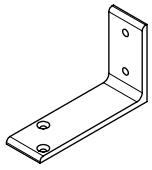
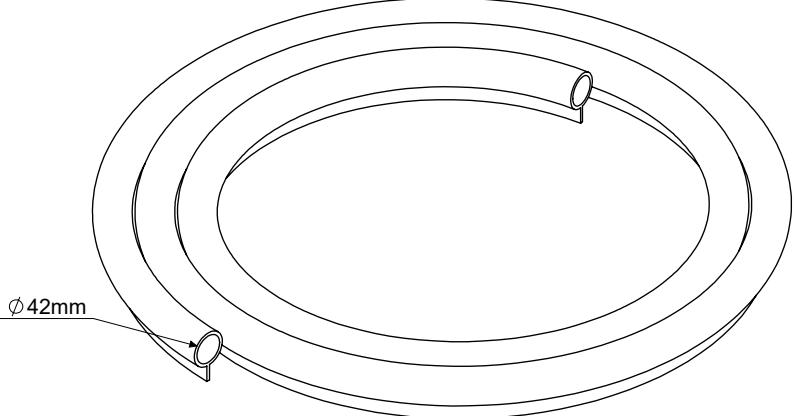
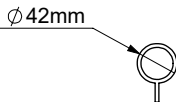
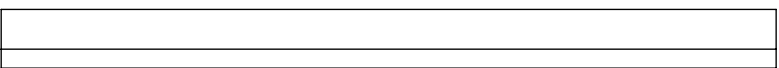

MONTRÉAL



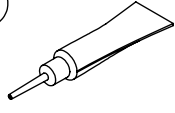




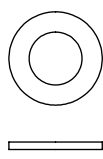








Slim

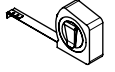
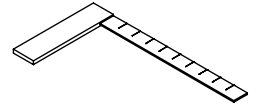
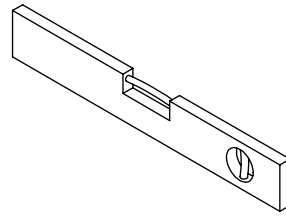
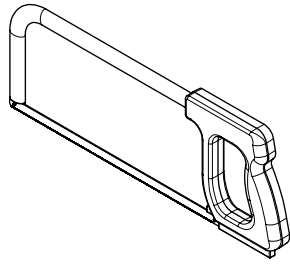
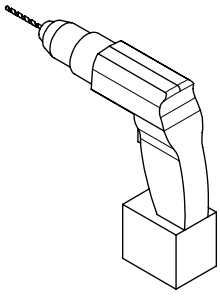


You Tube
Dolle Group

<p>1</p>  <p>x 12</p>	<p>3</p>  <p>x 13 K1-71231 RAL 9006 K1-71431 RAL 7016 K1-71631 RAL 9016 K1-1072031 RAL 9005</p> <p>4</p>  <p>x 1 K1-71020</p>	<p>5</p>  <p>x 12 K1-71230 RAL 9006 K1-71430 RAL 7016 K1-71630 RAL 9016 K1-1072030 RAL 9005</p>	<p>6</p>  <p>x 1 K1-71220 RAL 9006 K1-71420 RAL 7016 K1-71620 RAL 9016 K1-1072020 RAL 9005</p>		
<p>2</p>  <p>x 1</p>					
<p>7</p>  <p>x 1 K1-32224 RAL 9006 K1-71421 RAL 7016 K1-32424 RAL 9016 K1-1072021 RAL 9005</p>					
<p>8</p>  <p>x 1 K2-71260 RAL 9006 K2-71460 RAL 7016 K2-71660 RAL 9016 K2-1072060 RAL 9005</p>	<p>9</p>  <p>x 2 K2-71250 RAL 9006 K2-71450 RAL 7016 K2-71650 RAL 9016 K2-1072050 RAL 9005</p>	<p>10</p>  <p>x 1 K2-71240 RAL 9006 K2-71440 RAL 7016 K2-71640 RAL 9016 K2-1072040 RAL 9005</p>	<p>11</p>  <p>x 1 K2-71010</p>	<p>12</p>  <p>x 2 K2-71012</p>	<p>13</p>  <p>x 1 K1-71000</p>

<p>14</p> 	<p>15</p>  <p>161mm</p>	<p>16</p>  <p>169mm</p>	<p>17</p> 	<p>18</p> 	<p>19</p> 
<p>x 1 K2-71210 RAL 9006 K2-71410 RAL 7016 K2-71610 RAL 9016 K2-1072010 RAL 9005</p>	<p>x 12 K2-71211 RAL 9006 K2-71411 RAL 7016 K2-71611 RAL 9016 K2-1072011 RAL 9005</p>	<p>x 1 K2-71005</p>	<p>x 3 K1-71201 RAL 9006 K1-71401 RAL 7016 K1-71601 RAL 9016 K1-1072001 RAL 9005</p>	<p>x 1 K2-71215 RAL 9006 K2-71415 RAL 7016 K2-71615 RAL 9016 K2-1072015 RAL 9005</p>	<p>x 2 K2-71200 RAL 9006 K2-71400 RAL 7016 K2-71600 RAL 9016 K2-1066901 RAL 9005</p>
<p>20</p> 	<p>21</p>  <p>42mm</p>	<p>22</p>  <p>42mm</p>	<p>23</p>  <p>13mm</p>	<p>24</p> 	<p>x 4 K1-71290 RAL 9006 K1-29486 RAL 9016 K1-39010 RAL 7016/9005</p>
<p>x 1 K3-07013</p>	<p>25</p>  <p>42mm</p> <p>x 1 K1-71295 5,0 m - RAL 9006 K1-71495 5,0 m - RAL 7016/9005 K1-71695 5,0 m - RAL 9016</p>				
<p>26</p>  <p>42mm</p>  <p>x 1 K1-71291 1,0 m - RAL 9006 K1-39110 1,0 m - RAL 7016/9005 K1-29410 1,0 m - RAL 9016</p>	<p>27</p>  <p>x 78 K1-71205 RAL 9006 K1-71405 RAL 7016 K1-71605 RAL 9016 K1-1066909 RAL 9005</p>				

<p>50</p> <p>x 65</p> <p>K3-06022 RAL 9006</p> <p>K3-10126 RAL 9016</p> <p>K3-10226 RAL 7016</p> <p>K3-10405 RAL 9005</p> <p>Ø5 x 35 - TX25</p> 	<p>51</p> <p>x 26</p> <p>K3-06199 RAL 9006</p> <p>K3-10139 RAL 9016</p> <p>K3-10239 RAL 7016</p> <p>K3-10379 RAL 9005</p> <p>M5 x 20</p> 	<p>52</p>  <p>x 1</p> <p>K3-90001</p>	<p>53</p>  <p>x 9</p> <p>K3-04028</p> <p>Ø8,4</p>	
<p>54</p>  <p>x 8</p> <p>K3-08004</p> <p>Ø10 x 60</p>	<p>55</p>  <p>x 8</p> <p>K3-06015</p> <p>M8 x 70</p>	<p>56</p>  <p>x 1</p> <p>K3-03024</p> <p>M20 x 18</p>	<p>57</p>  <p>x 1</p> <p>K3-04020</p> <p>Ø20</p>	<p>58</p>  <p>x 1</p> <p>K3-08002</p> <p>Ø8 x 40</p>
<p>59</p> <p>x 2</p> <p>K3-02131 RAL 9006</p> <p>K3-10131 RAL 9016</p> <p>K3-10231 RAL 7016</p> <p>K3-10441 RAL 9005</p> <p>M4 x 10</p> 	<p>60</p> <p>x 1</p> <p>K3-05013 RAL 9006</p> <p>K3-10133 RAL 9016</p> <p>K3-10233 RAL 7016</p> <p>K3-10439 RAL 9005</p> <p>M6 x 6</p> 	<p>61</p> <p>x 17</p> <p>K3-05011 RAL 9006</p> <p>K3-10130 RAL 9016</p> <p>K3-10230 RAL 7016</p> <p>K3-10369 RAL 9005</p> <p>M5 x 20</p> 		
<p>62</p>  <p>x 1</p> <p>K3-02081</p> <p>M8 x 70</p>	<p>63</p>  <p>x 1</p> <p>K3-03014</p> <p>M20 x 10</p>	<p>69</p>  <p>x 1</p> <p>R1-63272</p> <p>Ø6 x 25</p>	<p>71</p>  <p>x 1</p> <p>K3-06016</p> <p>Ø6 x 40 - TX25</p>	



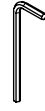
Torx 25



2,5mm

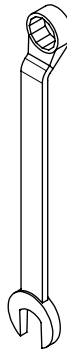


3mm



4mm

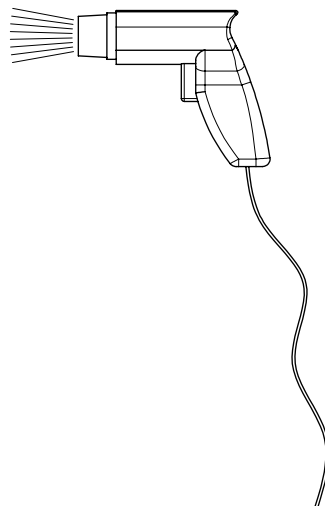
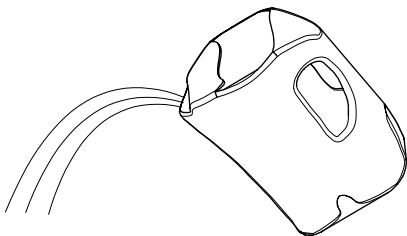
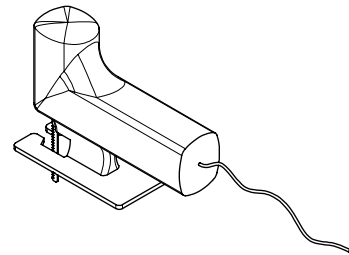
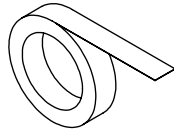
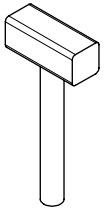
x 2

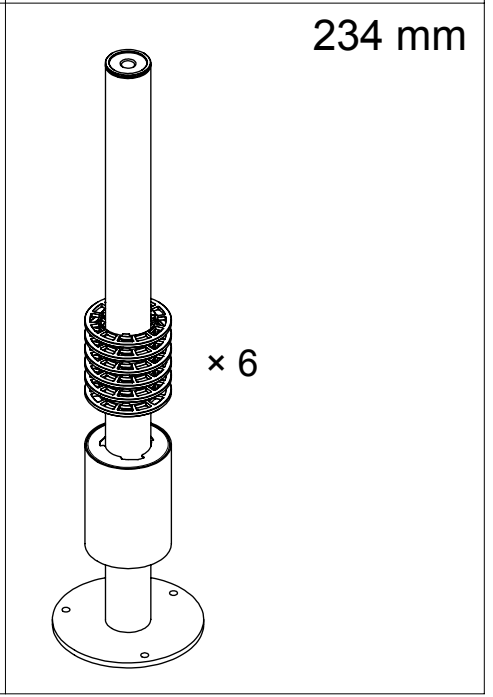
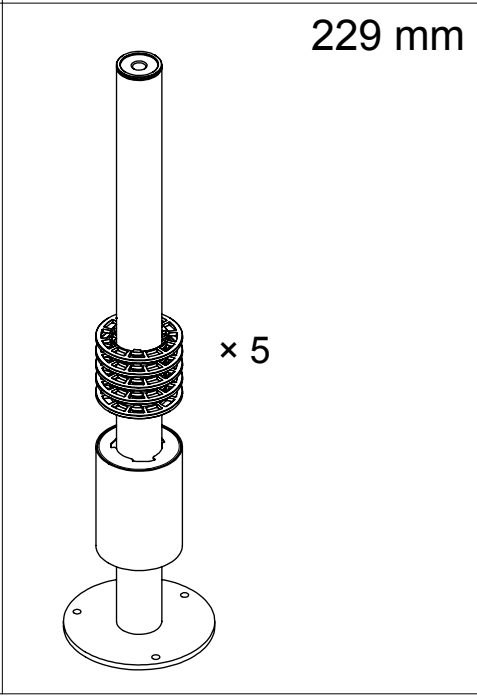
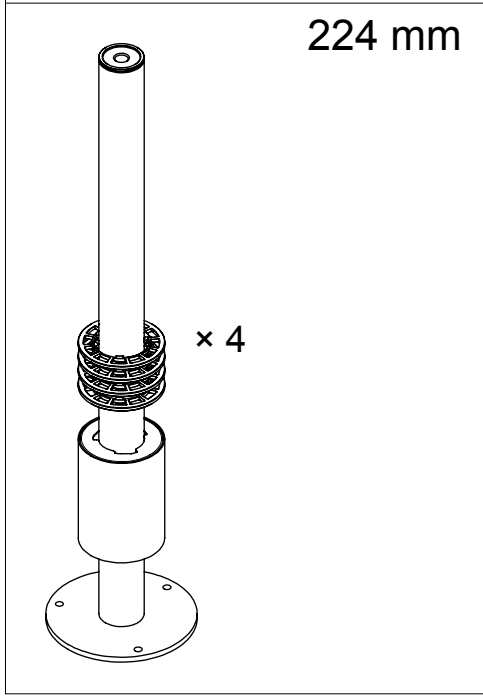
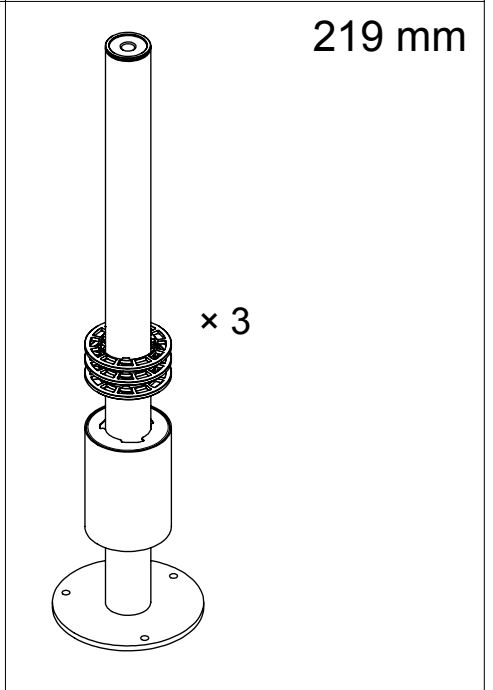
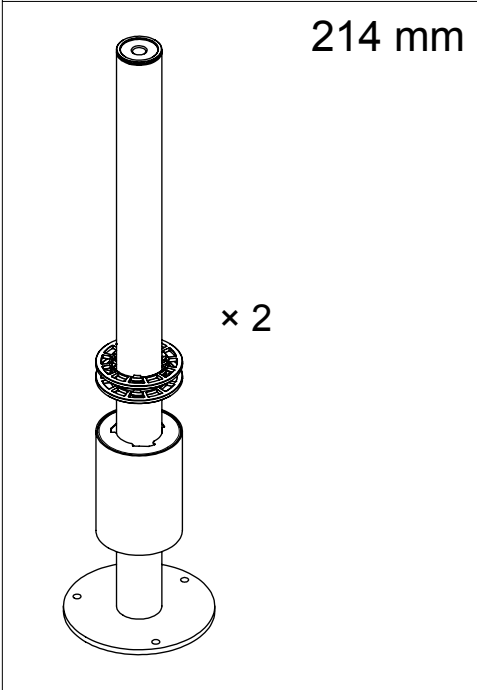
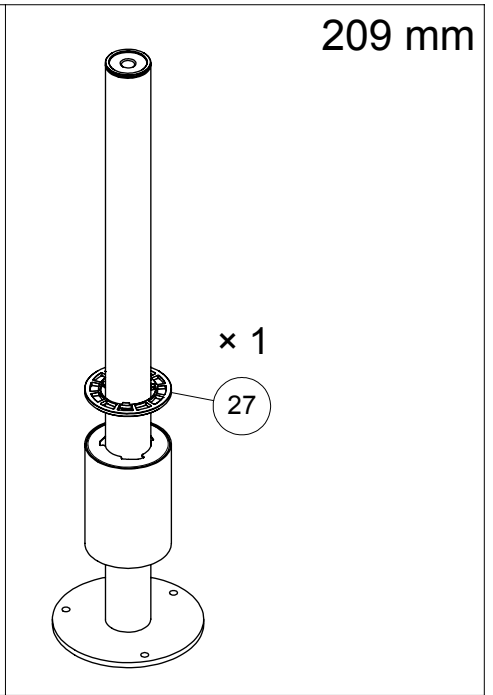
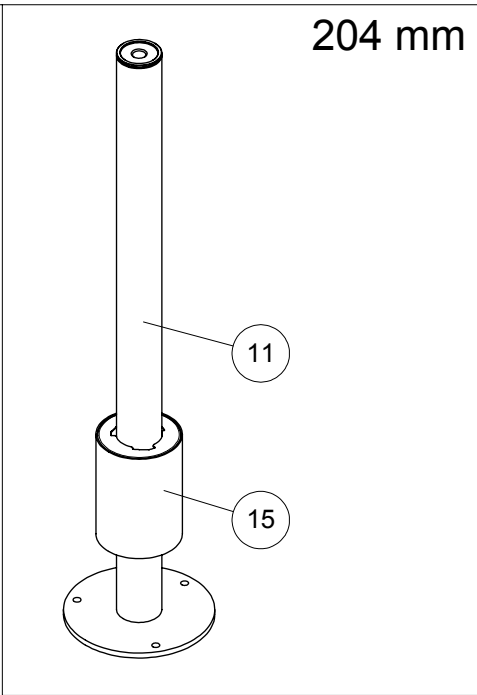
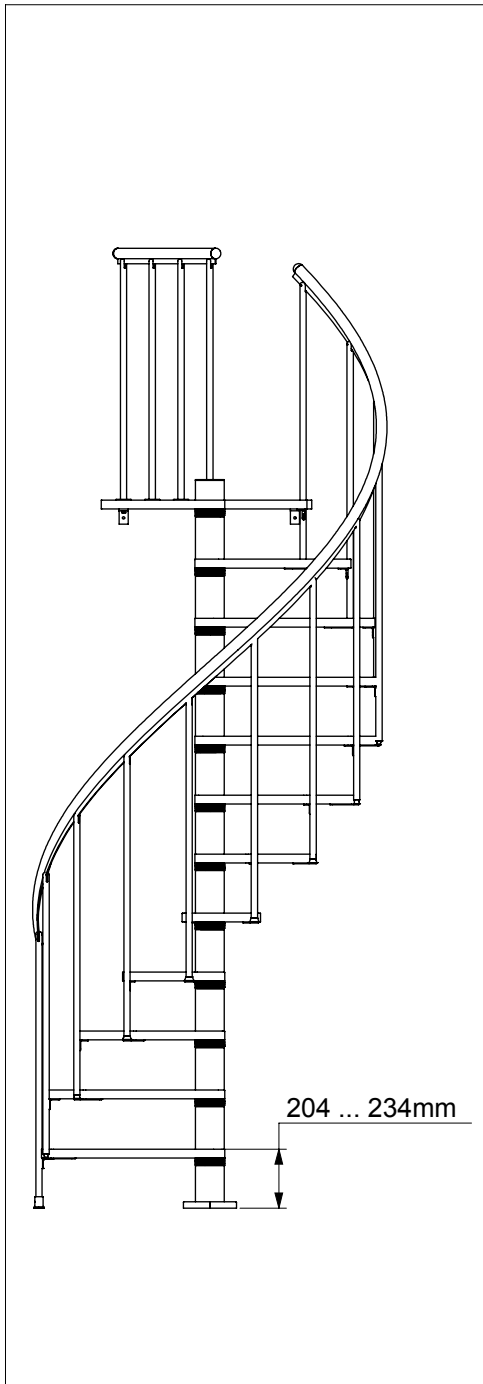


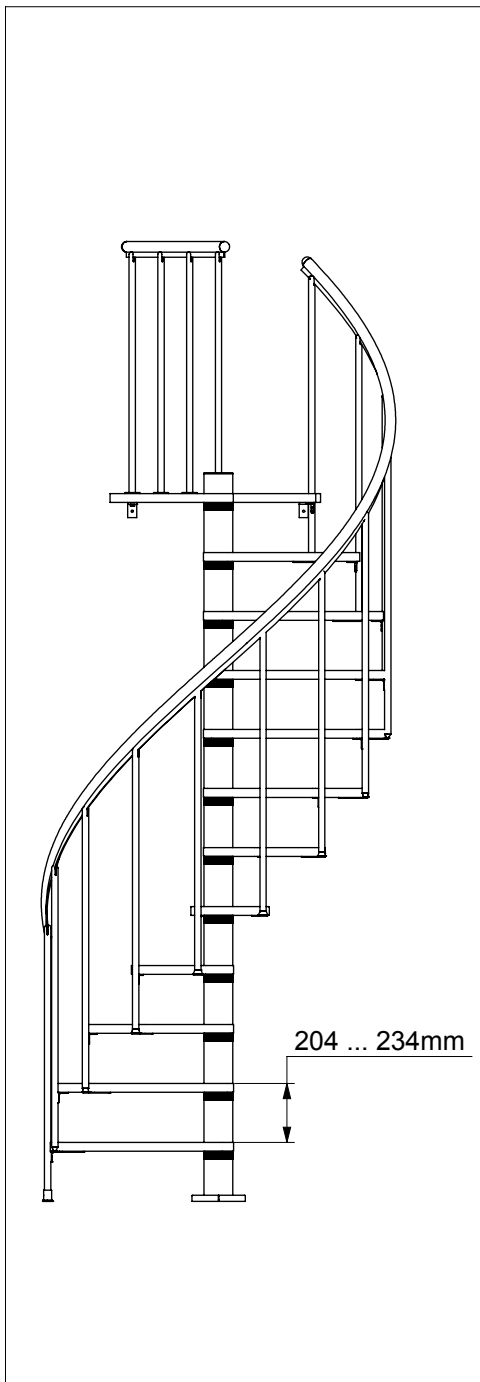
30mm



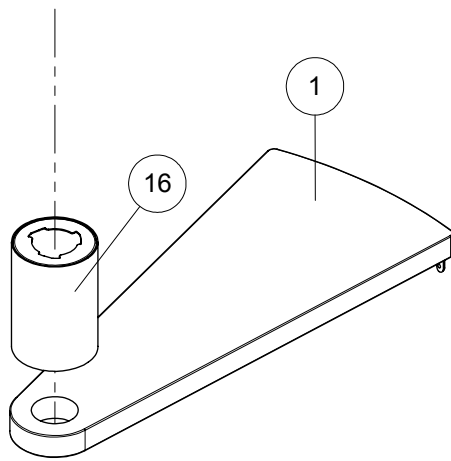
13mm



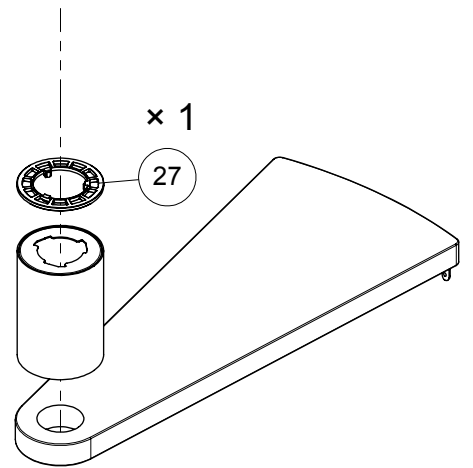




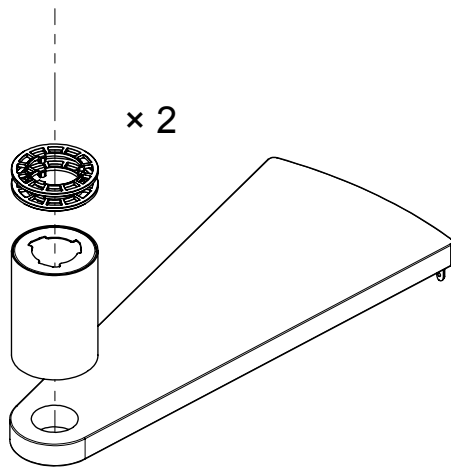
204 mm



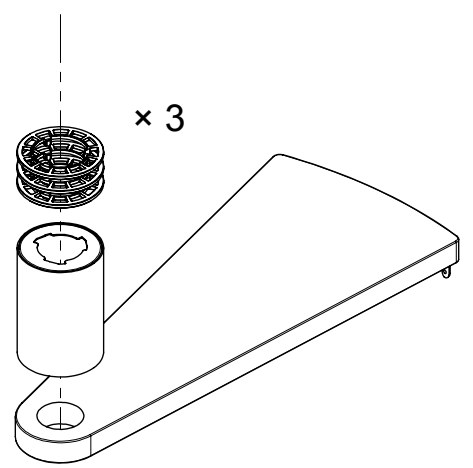
209 mm



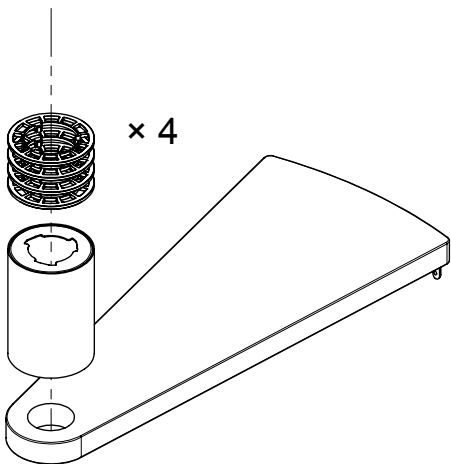
214 mm



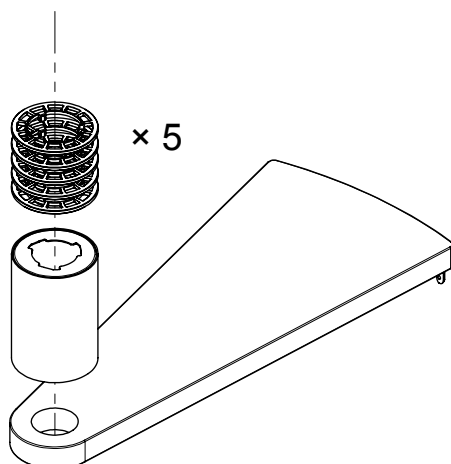
219 mm



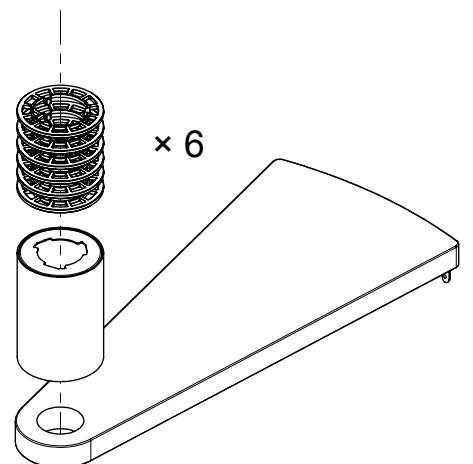
224 mm

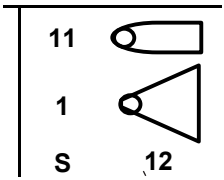


229 mm

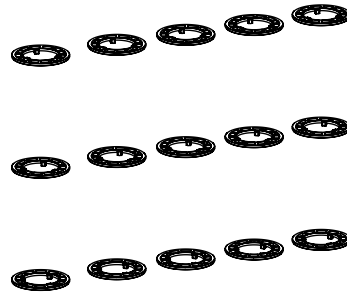


234 mm

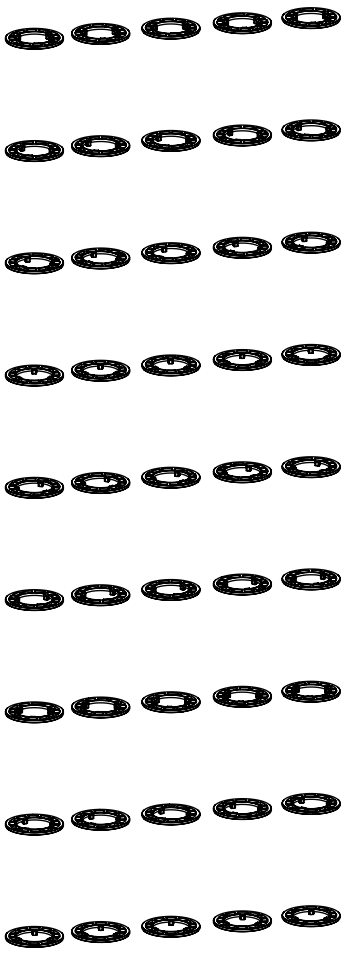




N
0 ... 6 st (pcs)



N
0 ... 6 st (pcs)



P
+1
st (pcs)

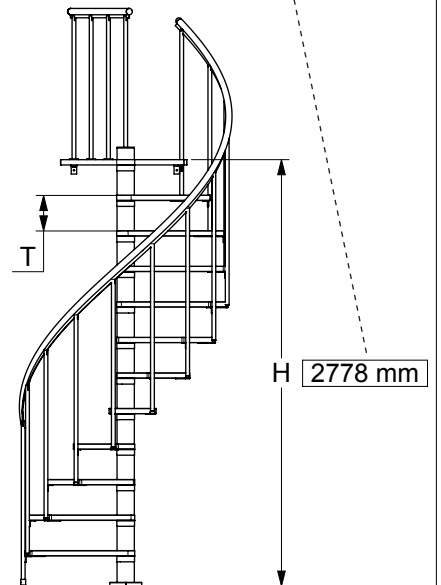
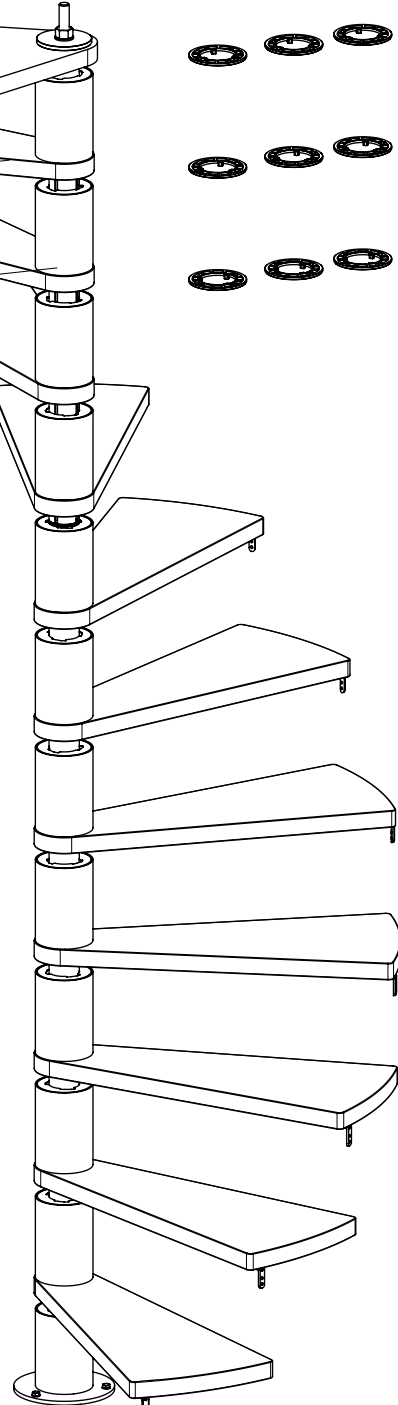










N × T
5 st (pcs) × 12
= 60 st (pcs)

P
+6 st (pcs)

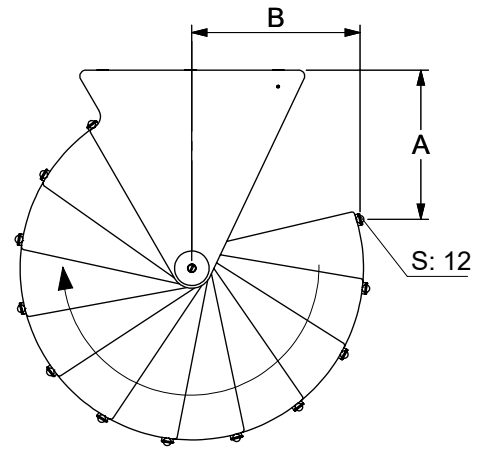
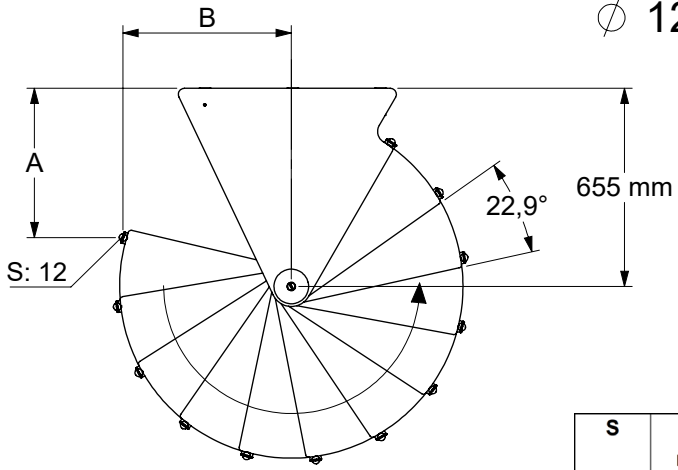
3	2768	5
4	2773	5
5	<u>2778</u>	5
6	2783	5
7	2788	5

3	2768	5
4	2773	5
5	<u>2778</u>	5
6	2783	5
7	2788	5



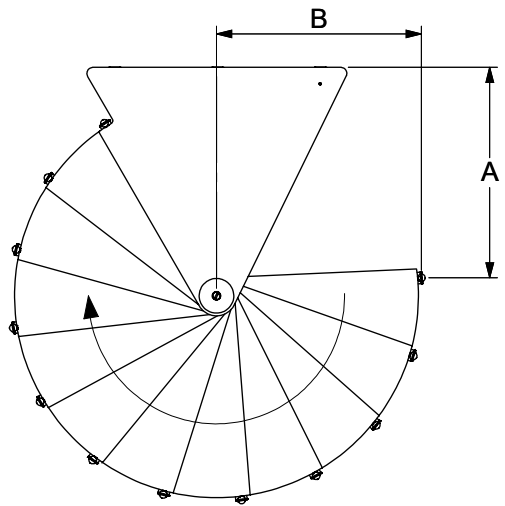
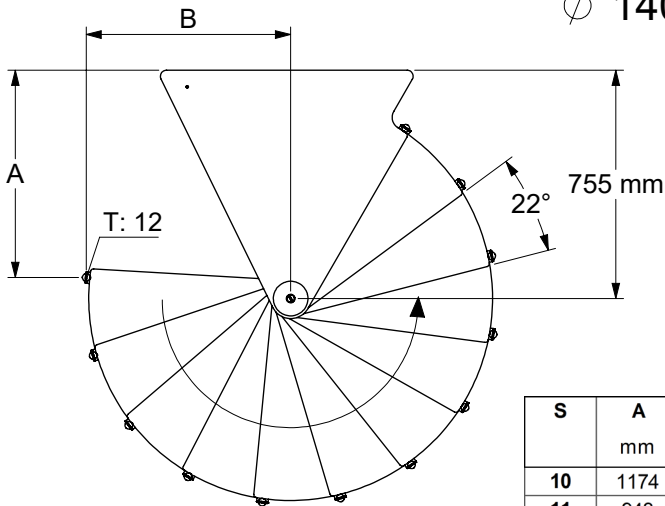
9 			10 			11 			12 													
1 			1 			1 			1 													
S 10			S 11			S 12			S 13													
H	N	P	H	N	P	H	N	P	H	N	P	H	N	P	H	N						
mm	st	st	mm	st	st	mm	st	st	mm	st	st	mm	st	st	mm	st						
pcs	pcs	pcs	pcs	pcs	pcs	pcs	pcs	pcs	pcs	pcs	pcs	pcs	pcs	pcs	pcs	pcs						
2040	0	0	2195	3	1	2244	0	0	2414	3	1	2448	0	0	2633	3	1	2652	0	0	2852	3
2045	0	1	2200	3	2	2249	0	1	2419	3	2	2453	0	1	2638	3	2	2657	0	1	2857	3
2050	0	2	2205	3	3	2254	0	2	2424	3	3	2458	0	2	2643	3	3	2662	0	2	2862	3
2055	0	3	2210	3	4	2259	0	3	2429	3	4	2463	0	3	2648	3	4	2667	0	3	2867	3
2060	0	4	2215	3	5	2264	0	4	2434	3	5	2468	0	4	2653	3	5	2672	0	4	2872	3
2065	0	5	2220	3	6	2269	0	5	2439	3	6	2473	0	5	2658	3	6	2677	0	5	2877	3
2070	0	6	2225	3	7	2274	0	6	2444	3	7	2478	0	6	2663	3	7	2682	0	6	2882	3
2075	0	7	2230	3	8	2279	0	7	2449	3	8	2483	0	7	2668	3	8	2687	0	7	2887	3
2080	0	8	2235	3	9	2284	0	8	2454	3	9	2488	0	8	2673	3	9	2692	0	8	2892	3
2085	0	9	2240	4	0	2289	0	9	2459	3	10	2493	0	9	2678	3	10	2697	0	9	2897	3
2090	1	0	2245	4	1	2294	0	10	2464	4	0	2498	0	10	2683	3	11	2702	0	10	2902	3
2095	1	1	2250	4	2	2299	1	0	2469	4	1	2503	0	11	2688	4	0	2707	0	11	2907	3
2100	1	2	2255	4	3	2304	1	1	2474	4	2	2508	1	0	2693	4	1	2712	0	12	2912	4
2105	1	3	2260	4	4	2309	1	2	2479	4	3	2513	1	1	2698	4	2	2717	1	0	2917	4
2110	1	4	2265	4	5	2314	1	3	2484	4	4	2518	1	2	2703	4	3	2722	1	1	2922	4
2115	1	5	2270	4	6	2319	1	4	2489	4	5	2523	1	3	2708	4	4	2727	1	2	2927	4
2120	1	6	2275	4	7	2324	1	5	2494	4	6	2528	1	4	2713	4	5	2732	1	3	2932	4
2125	1	7	2280	4	8	2329	1	6	2499	4	7	2533	1	5	2718	4	6	2737	1	4	2937	4
2130	1	8	2285	4	9	2334	1	7	2504	4	8	2538	1	6	2723	4	7	2742	1	5	2942	4
2135	1	9	2290	5	0	2339	1	8	2509	4	9	2543	1	7	2728	4	8	2747	1	6	2947	4
2140	2	0	2295	5	1	2344	1	9	2514	4	10	2548	1	8	2733	4	9	2752	1	7	2952	4
2145	2	1	2300	5	2	2349	1	10	2519	5	0	2553	1	9	2738	4	10	2757	1	8	2957	4
2150	2	2	2305	5	3	2354	2	0	2524	5	1	2558	1	10	2743	4	11	2762	1	9	2962	4
2155	2	3	2310	5	4	2359	2	1	2529	5	2	2563	1	11	2748	5	0	2767	1	10	2967	4
2160	2	4	2315	5	5	2364	2	2	2534	5	3	2568	2	0	2753	5	1	2772	1	11	2972	4
2165	2	5	2320	5	6	2369	2	3	2539	5	4	2573	2	1	2758	5	2	2777	1	12	2977	5
2170	2	6	2325	5	7	2374	2	4	2544	5	5	2578	2	2	2763	5	3	2782	2	0	2982	5
2175	2	7	2330	5	8	2379	2	5	2549	5	6	2583	2	3	2768	5	4	2787	2	1	2987	5
2180	2	8	2335	5	9	2384	2	6	2554	5	7	2588	2	4	2773	5	5	2792	2	2	2992	5
2185	2	9	2340	6	0	2389	2	7	2559	5	8	2593	2	5	2778	5	6	2797	2	3	2997	5
2190	3	0				2394	2	8	2564	5	9	2598	2	6	2783	5	7	2802	2	4	3002	5
						2399	2	9	2569	5	10	2603	2	7	2788	5	8	2807	2	5	3007	5
						2404	2	10	2574	6	0	2608	2	8	2793	5	9	2812	2	6	3012	5
						2409	3	0				2613	2	9	2798	5	10	2817	2	7	3017	5
												2618	2	10	2803	5	11	2822	2	8	3022	5
												2623	2	11	2808	6	0	2827	2	9	3027	5
												2628	3	0				2832	2	10	3032	5
																		2837	2	11	3037	5
																		2842	2	12	3042	5

∅ 120 cm

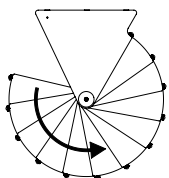
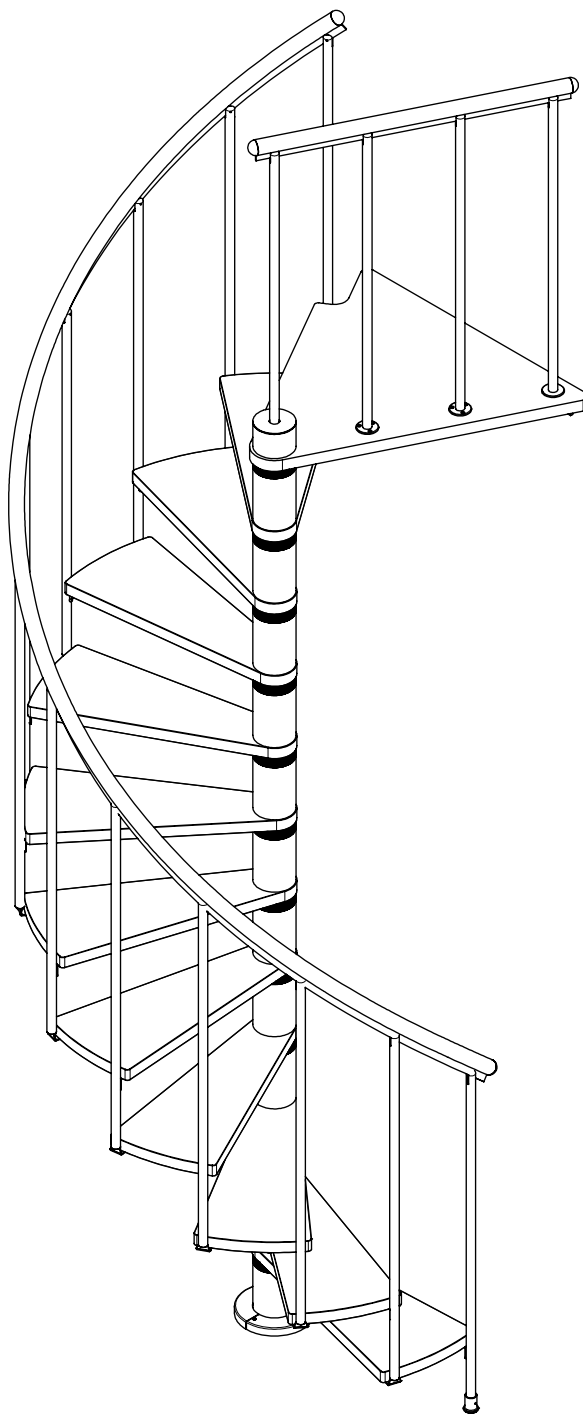
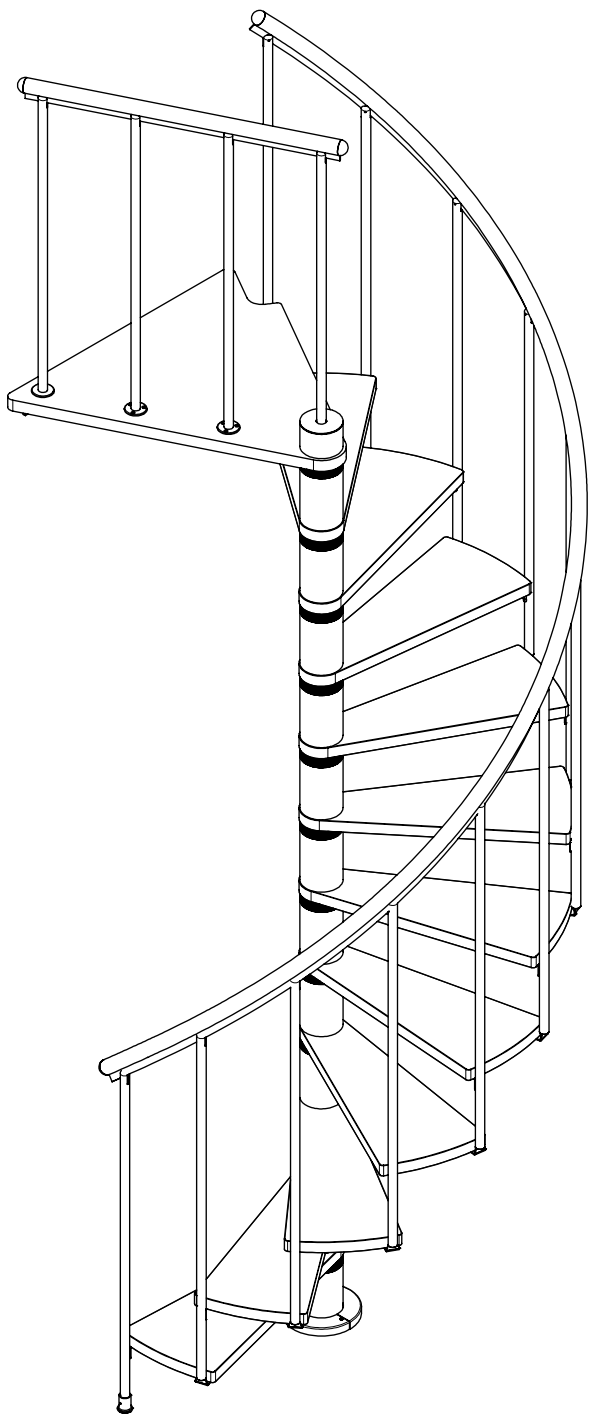
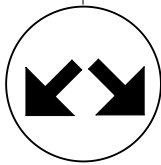


S	A mm	B mm
10	940	504
11	722	576
12	493	556
13	290	450

∅ 140 cm



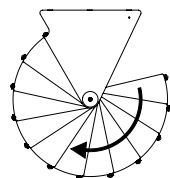
S	A mm	B mm
10	1174	535
11	943	653
12	685	676
13	437	601



Left
Links
Gauche



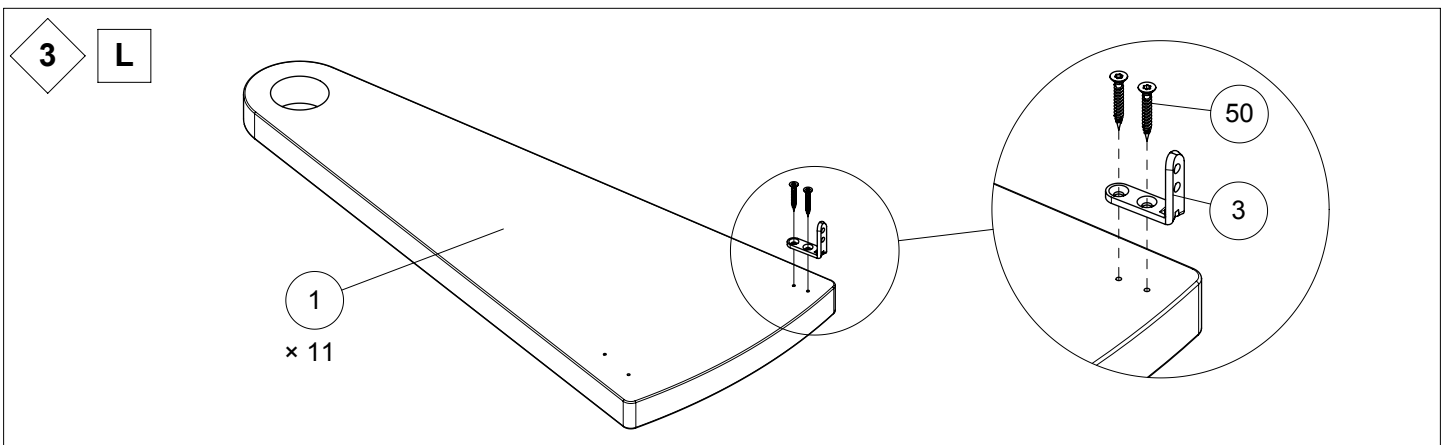
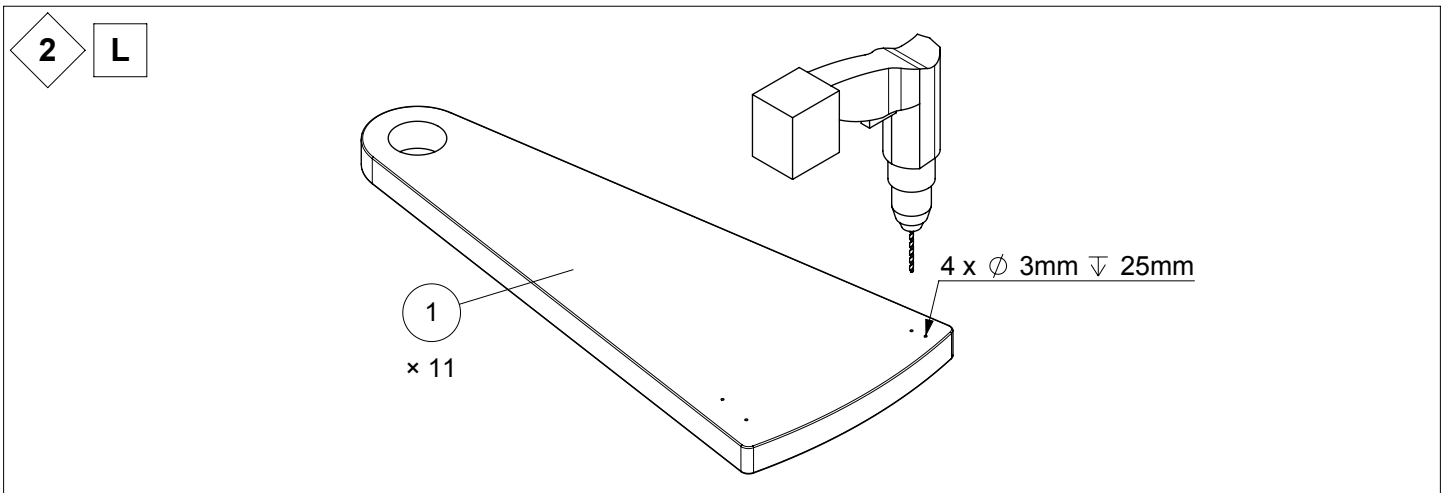
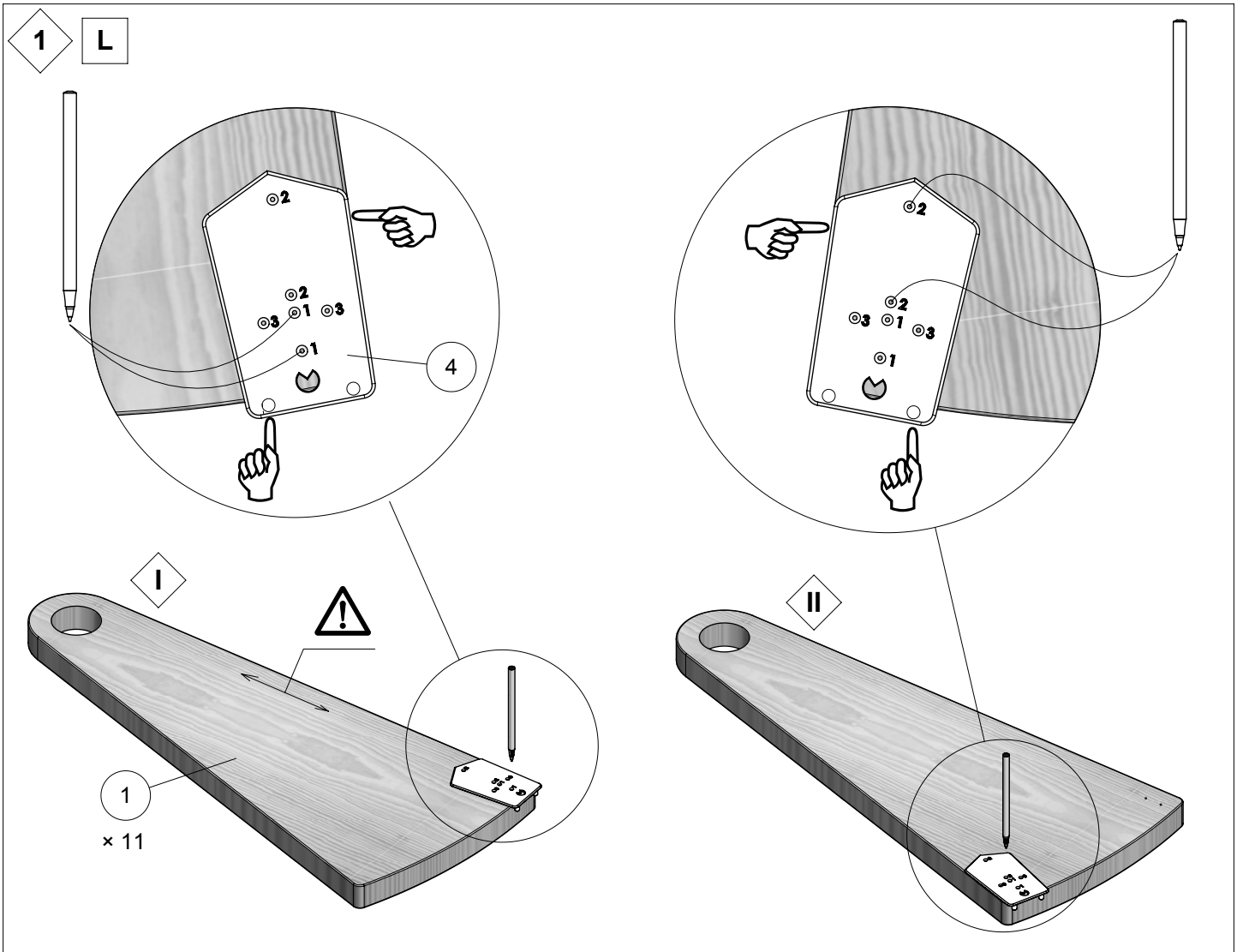
1 L

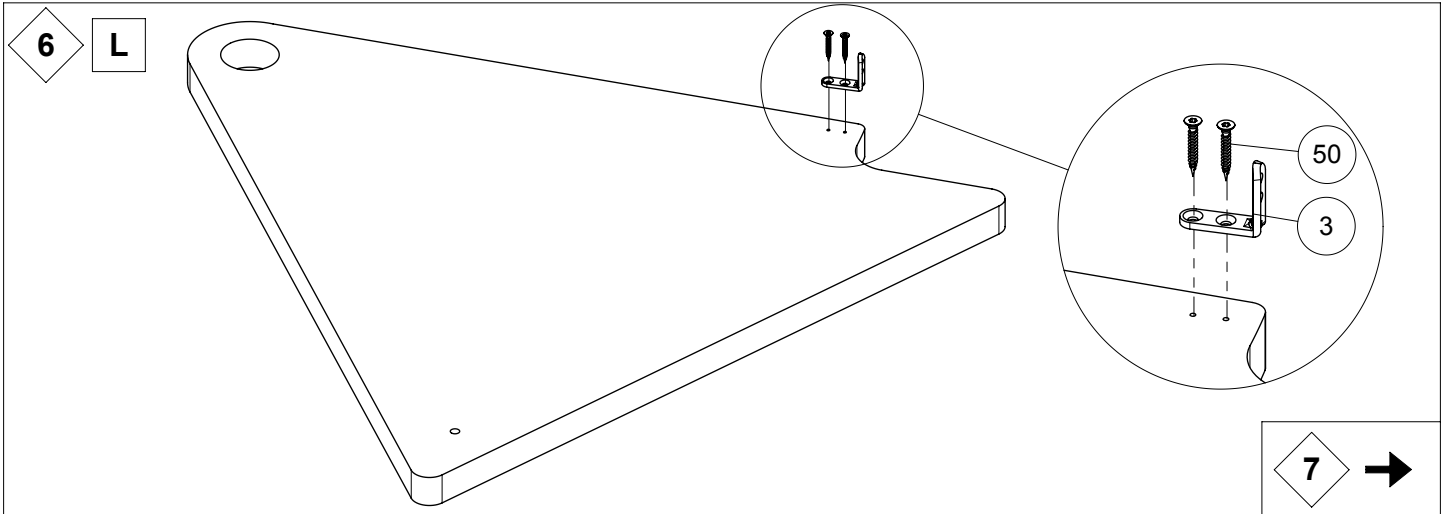
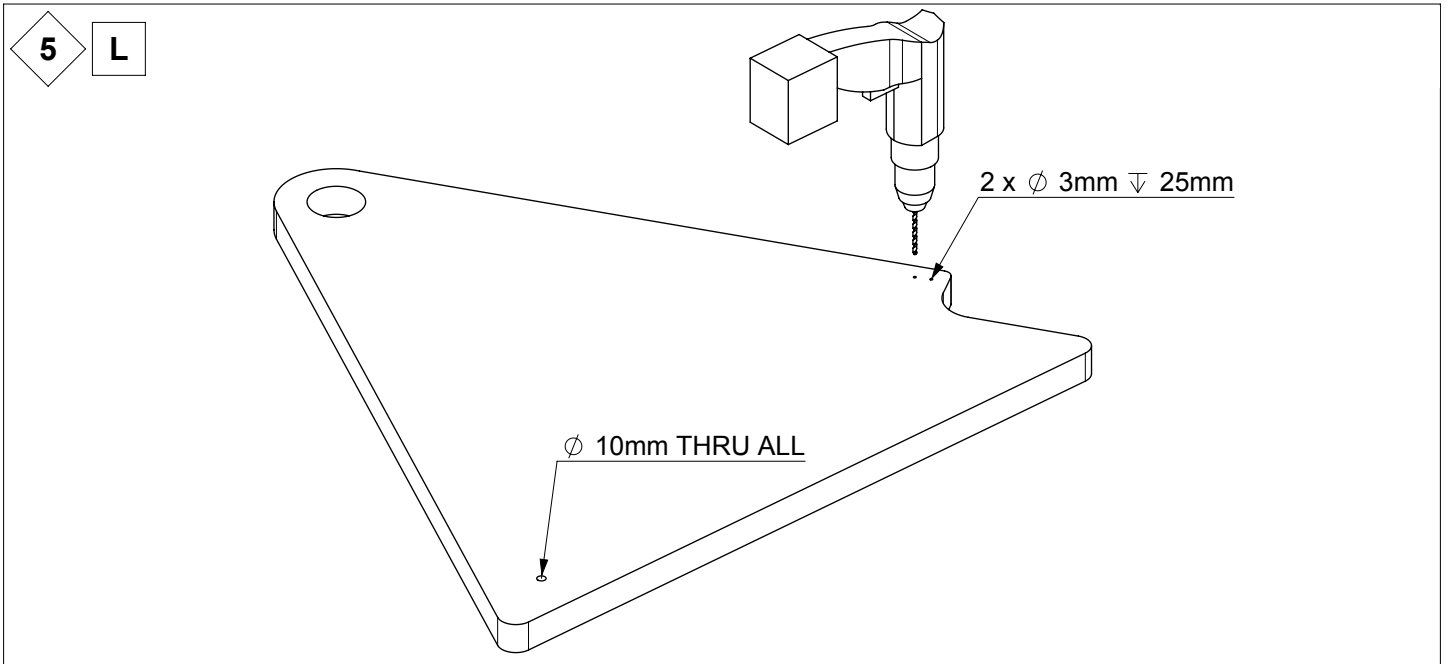
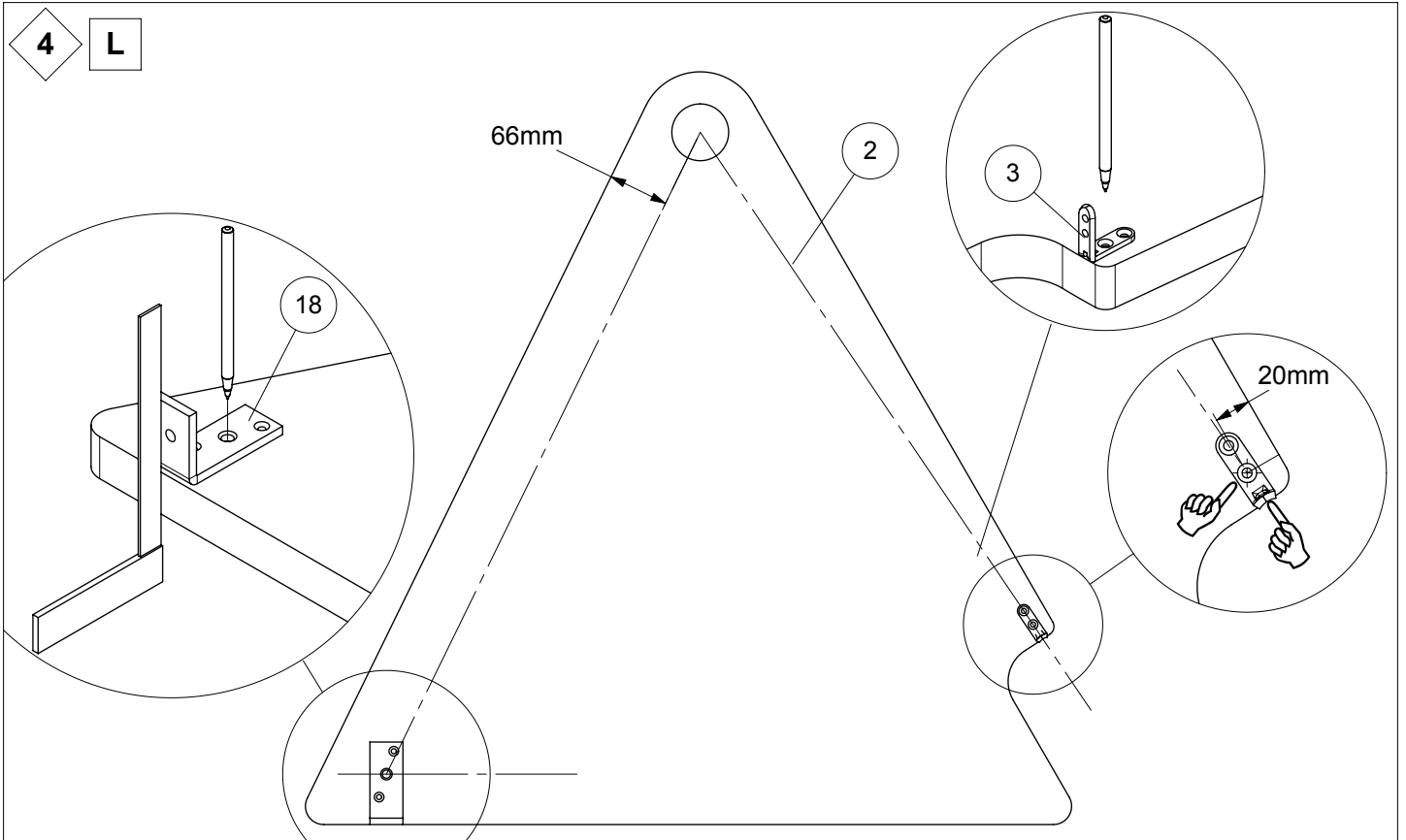


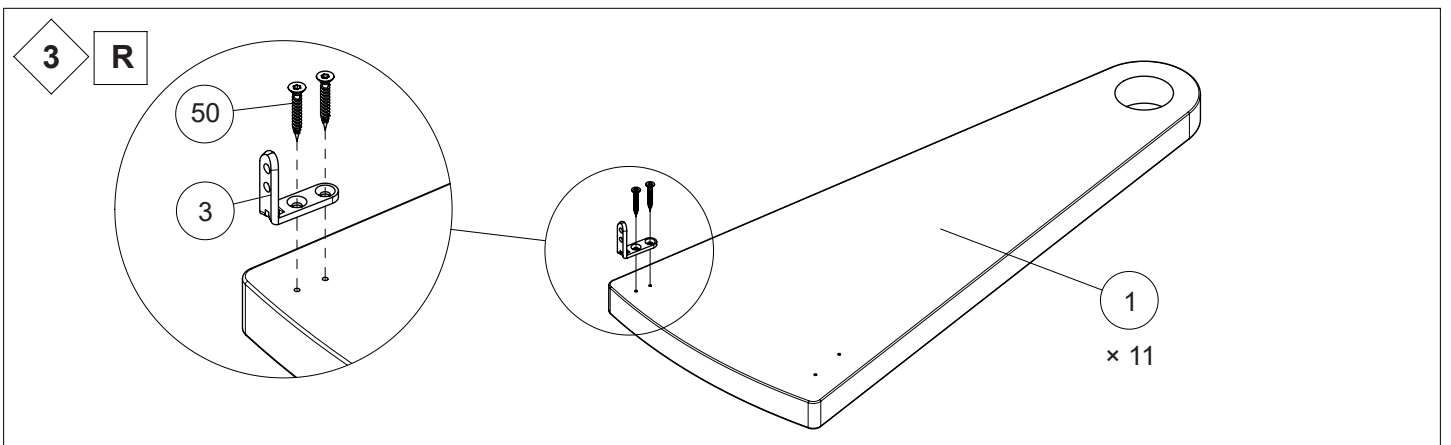
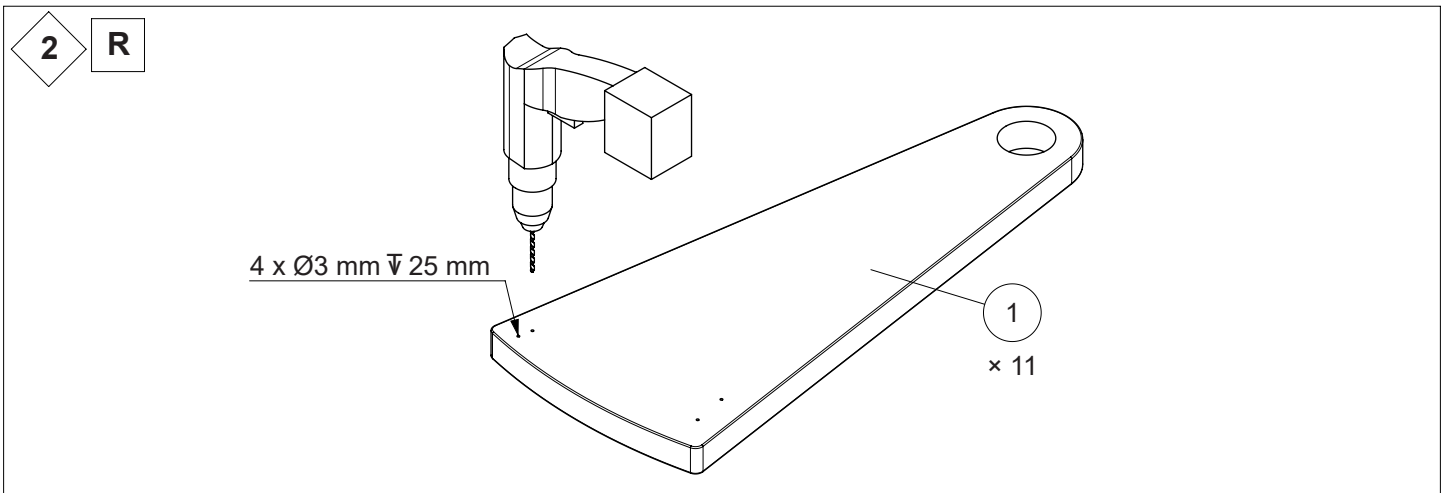
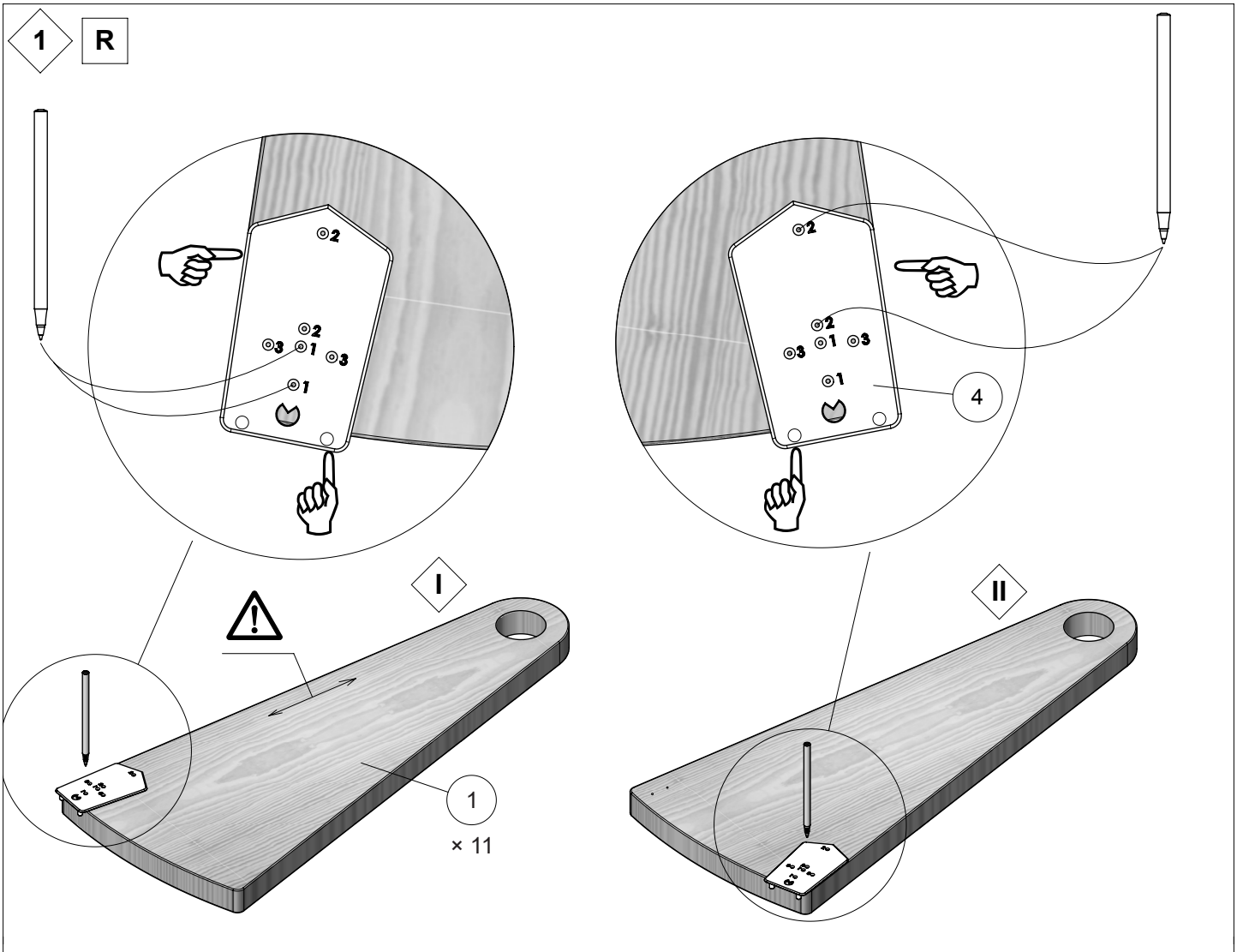
Right
Recht
Droite

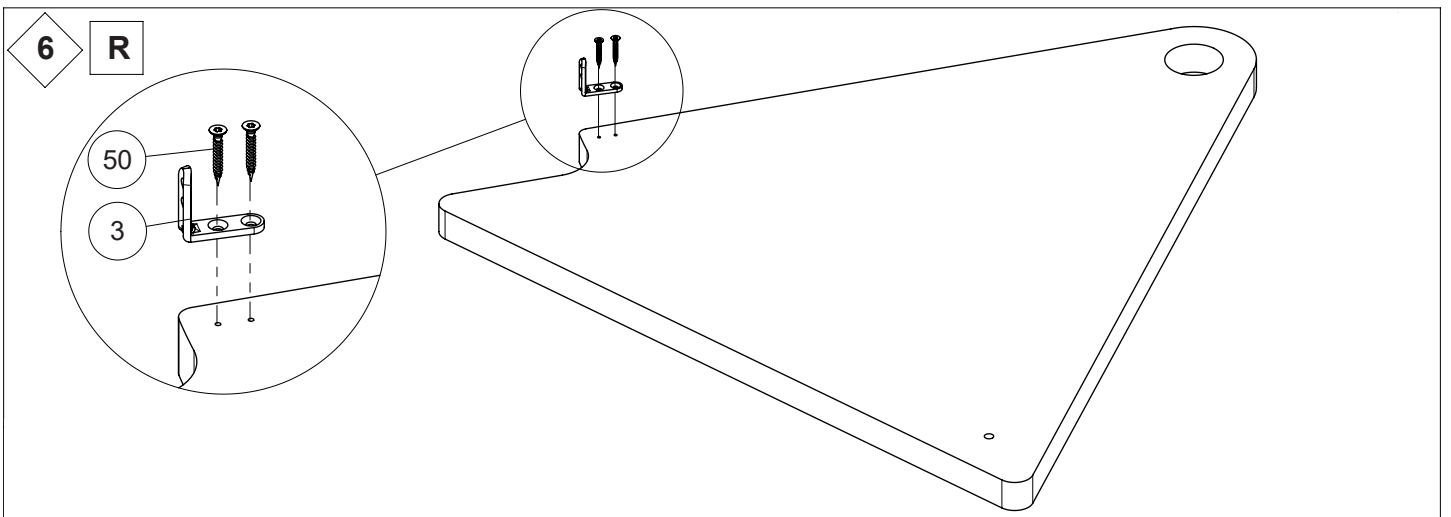
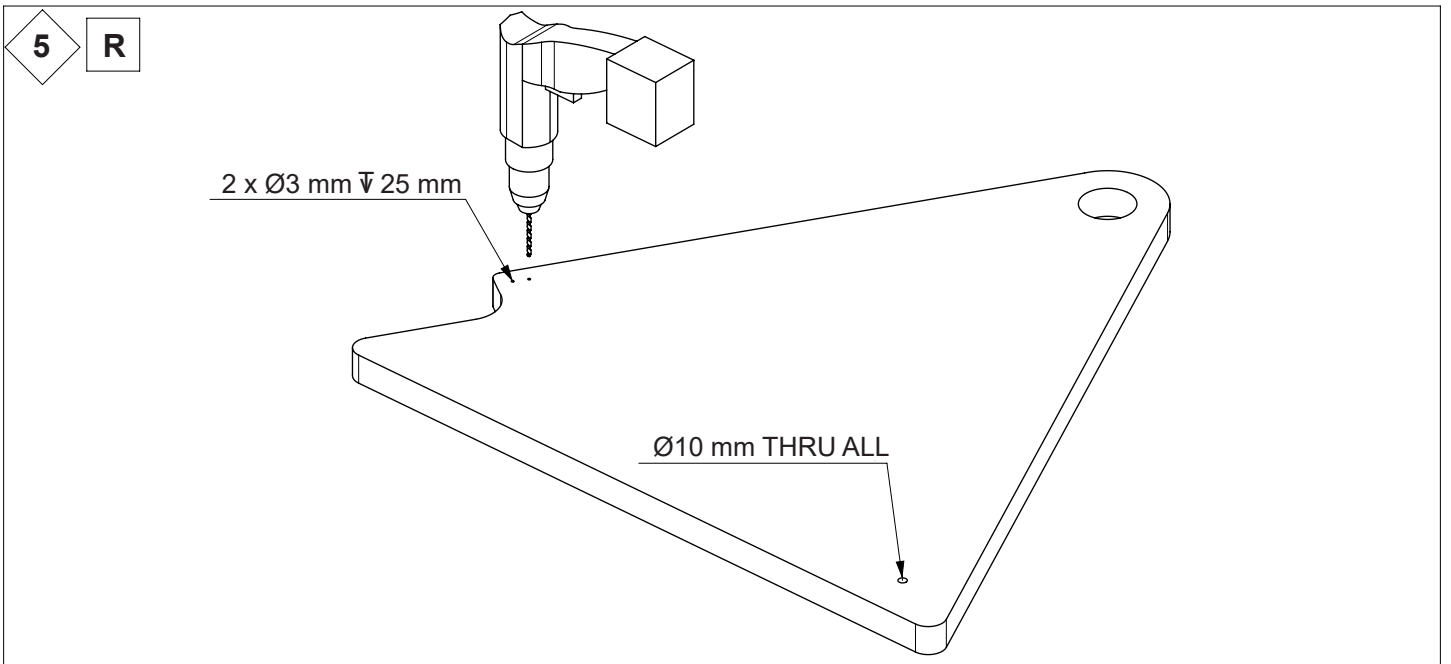
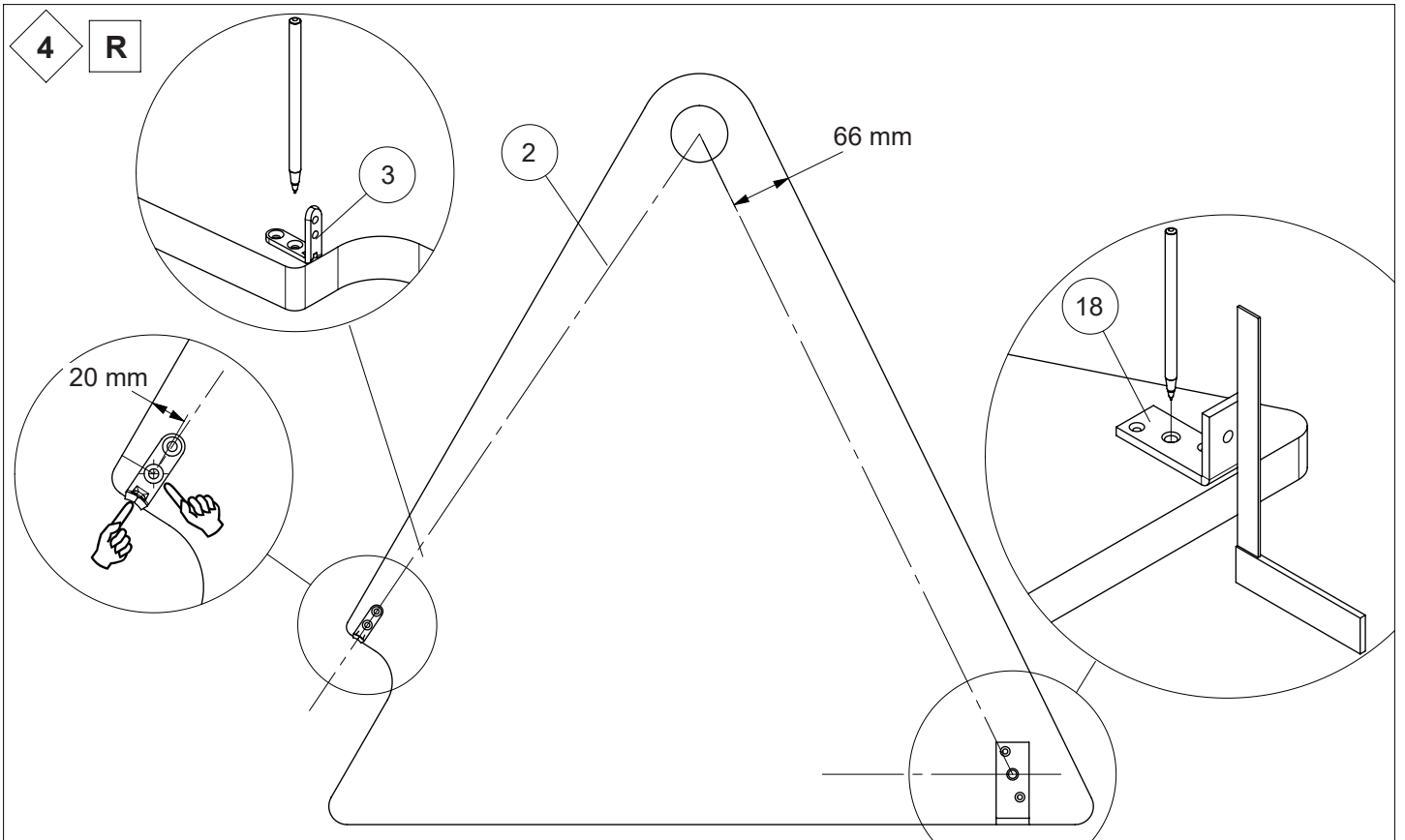


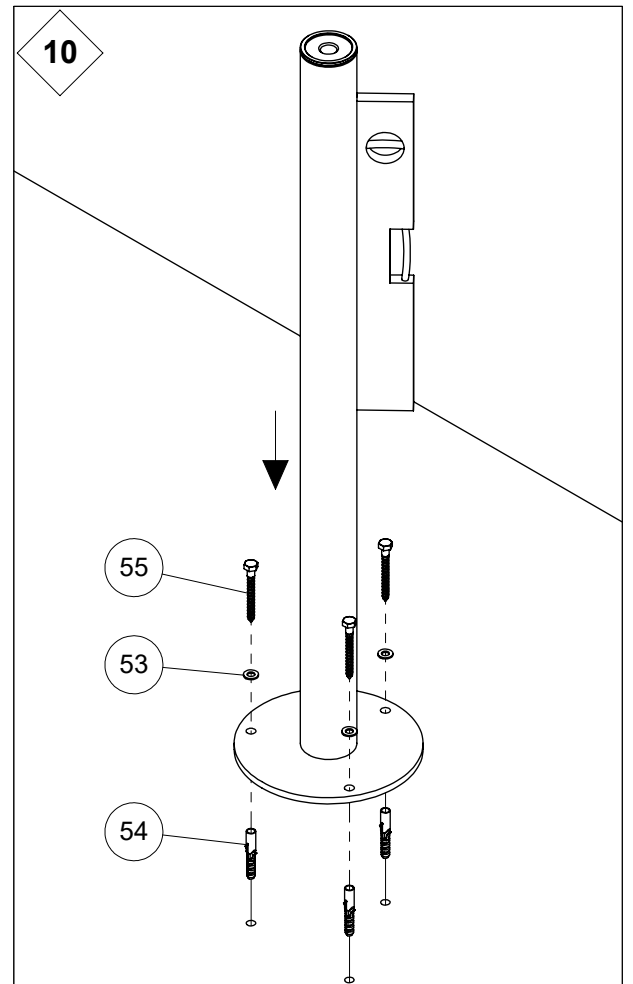
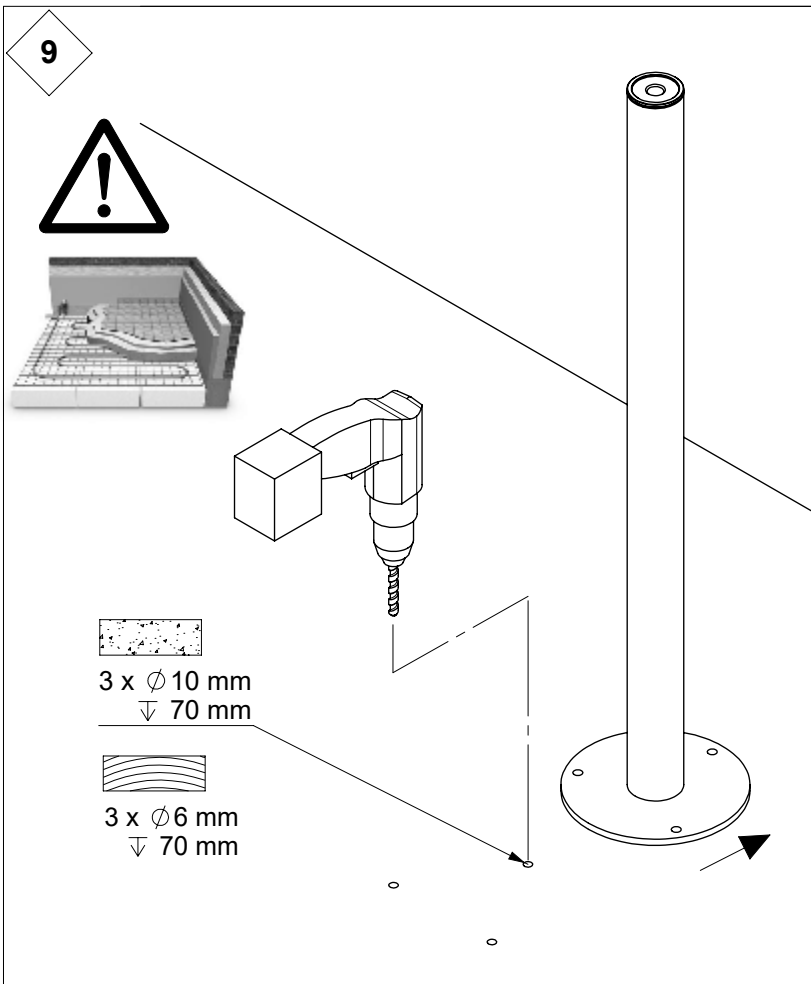
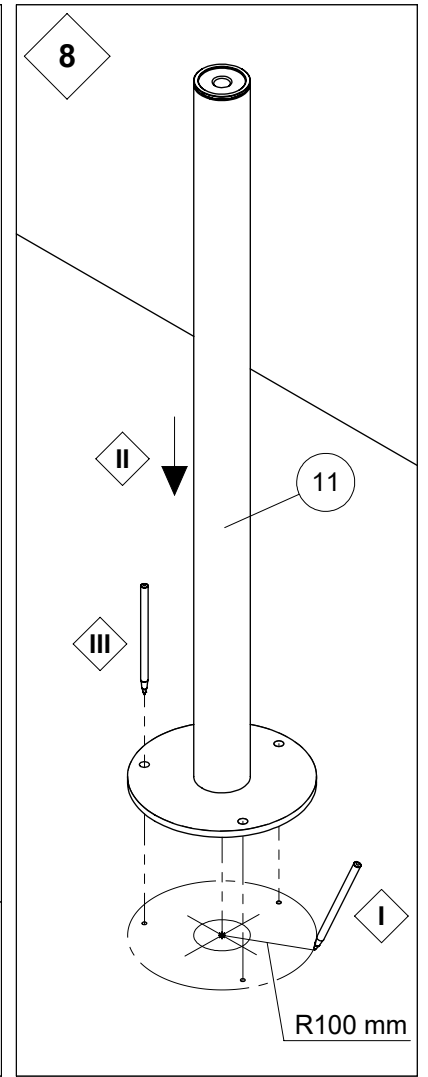
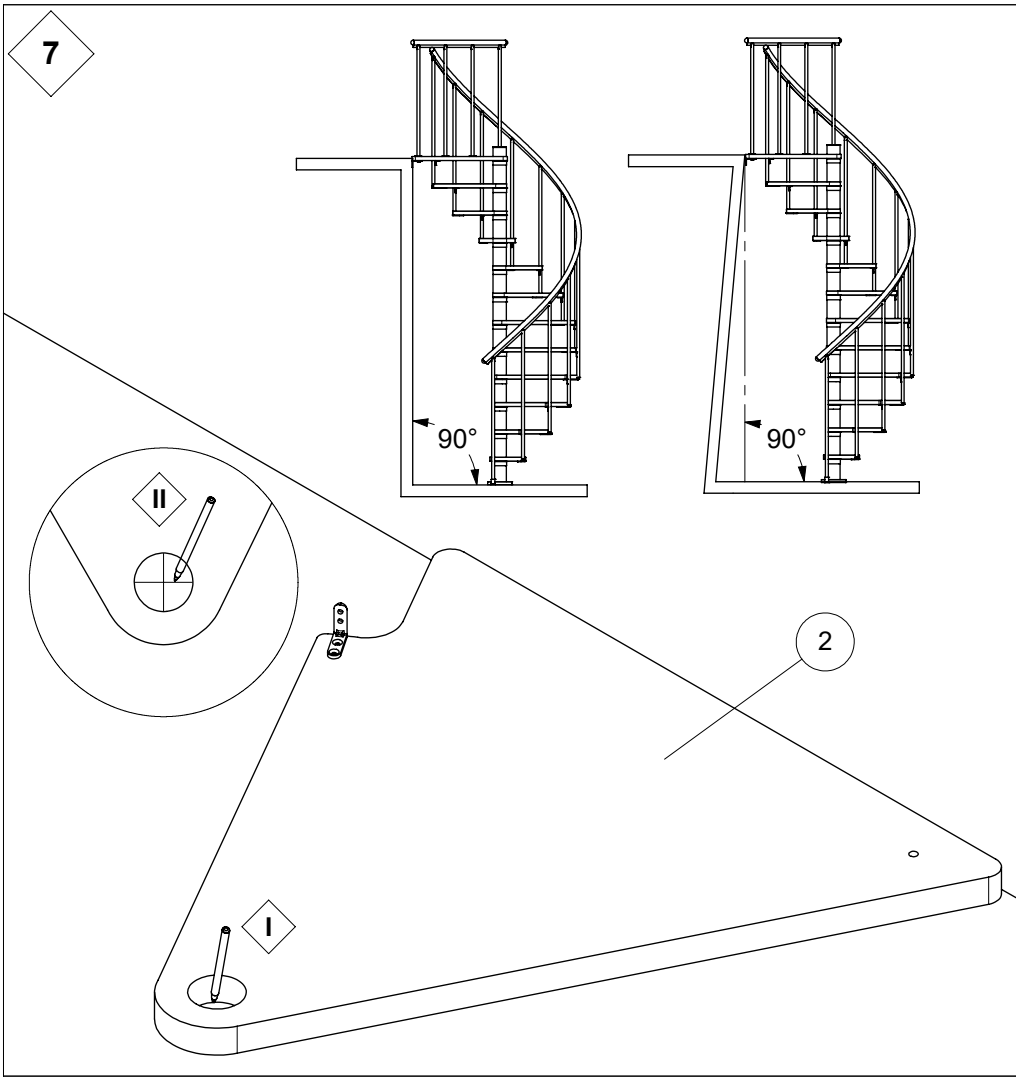
1 R

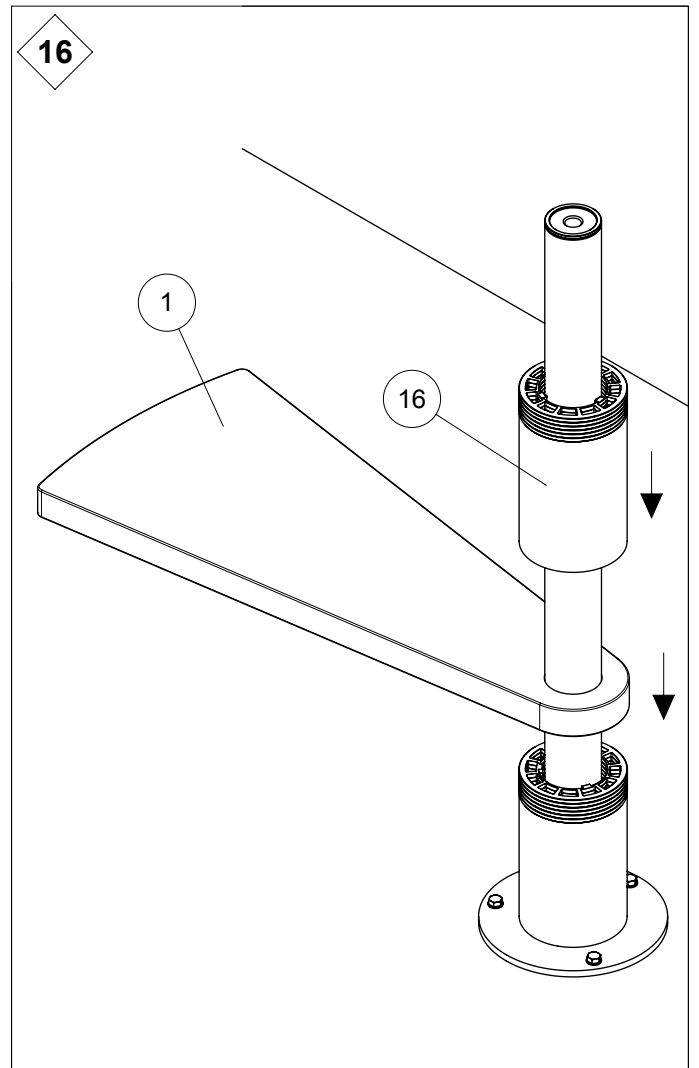
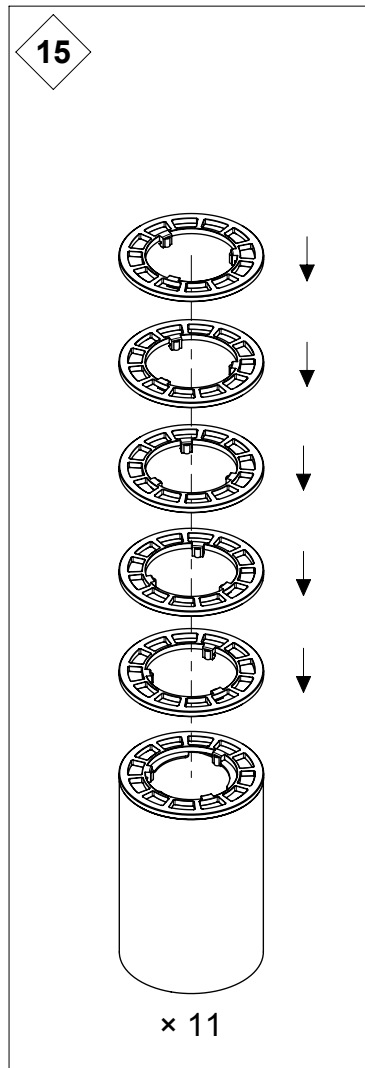
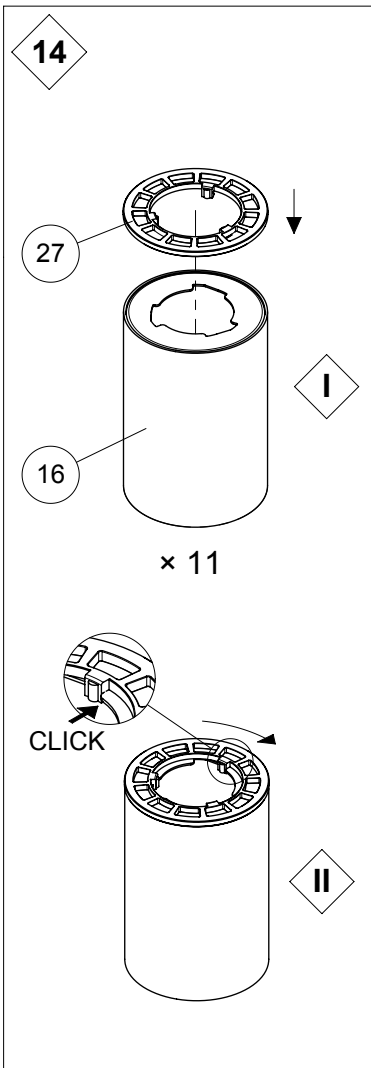
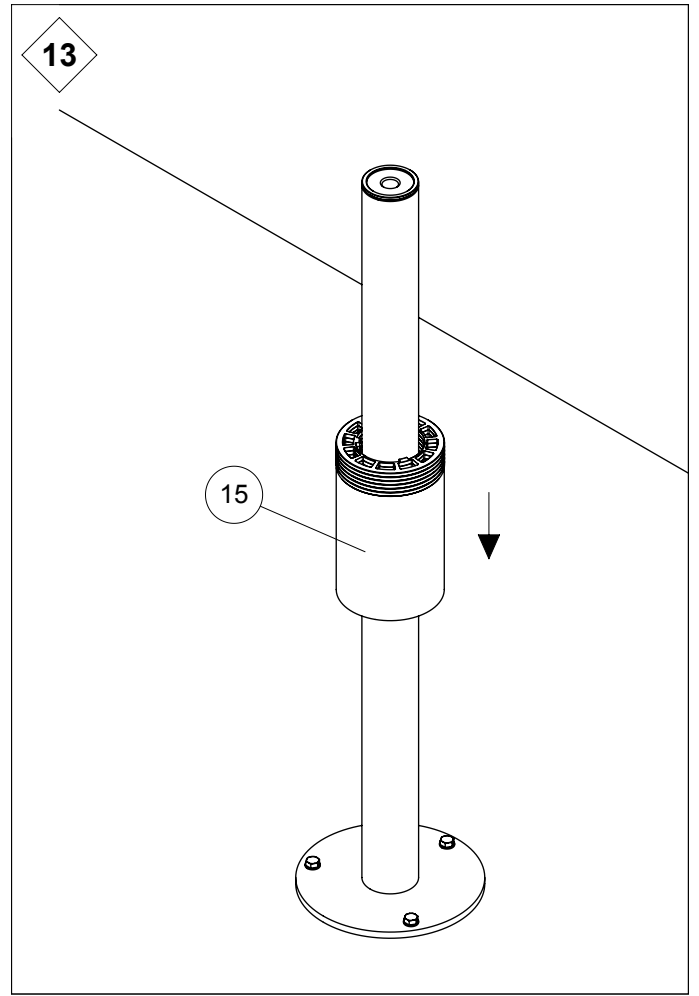
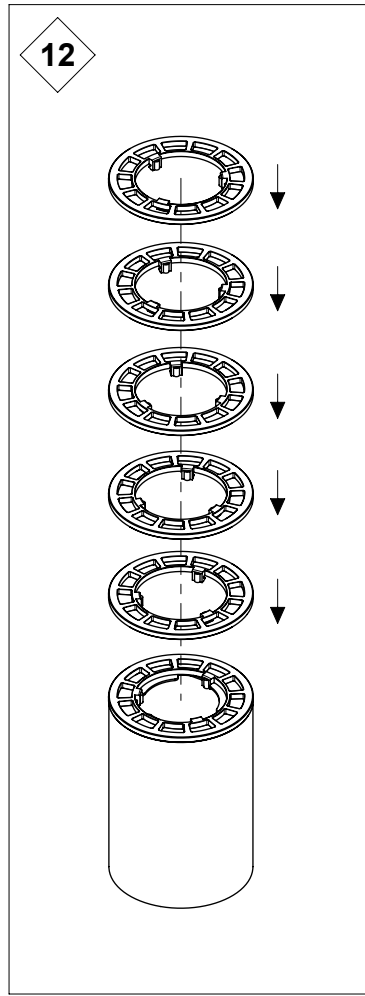
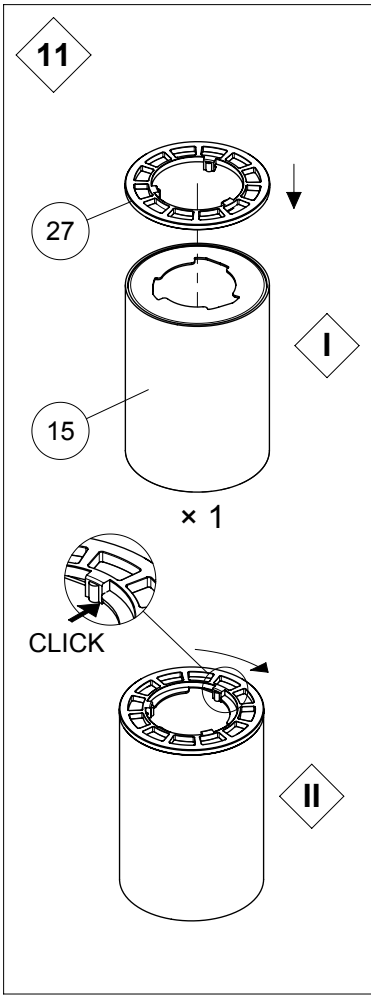




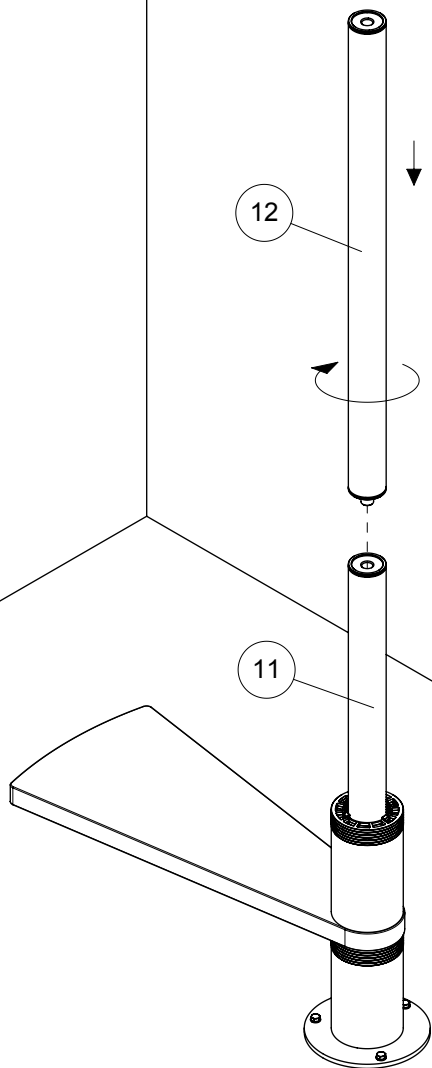




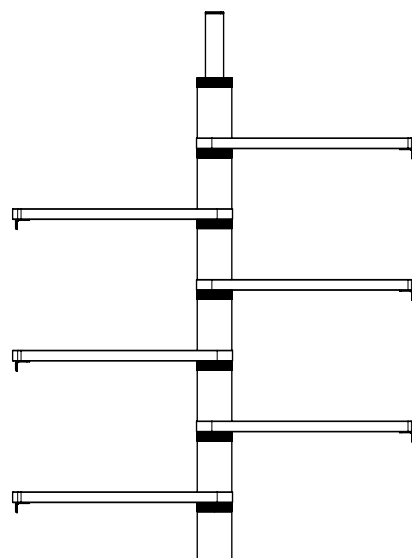
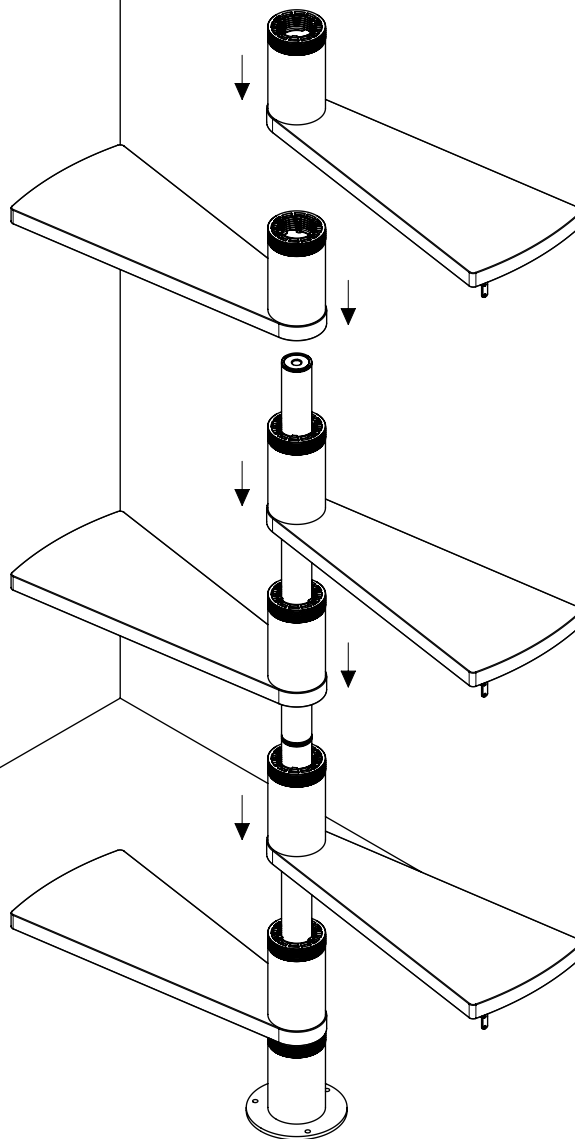


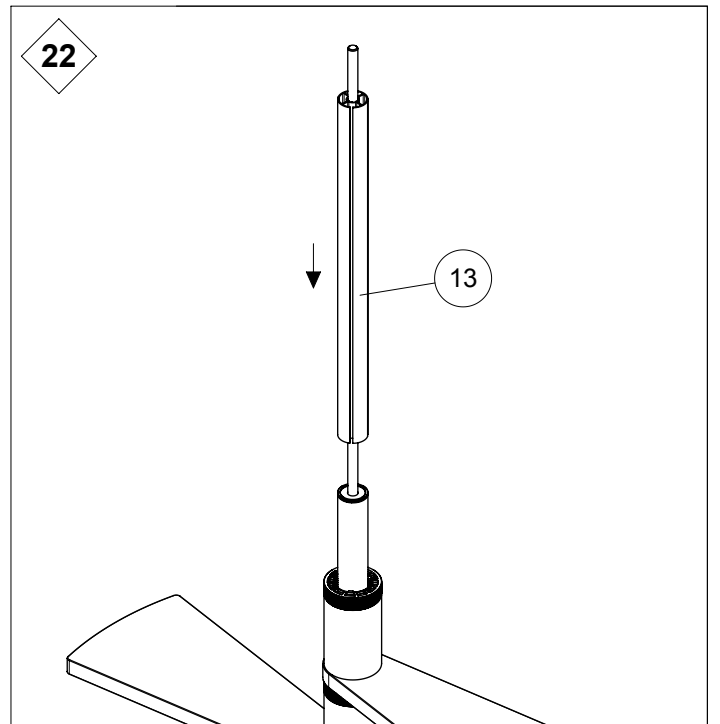
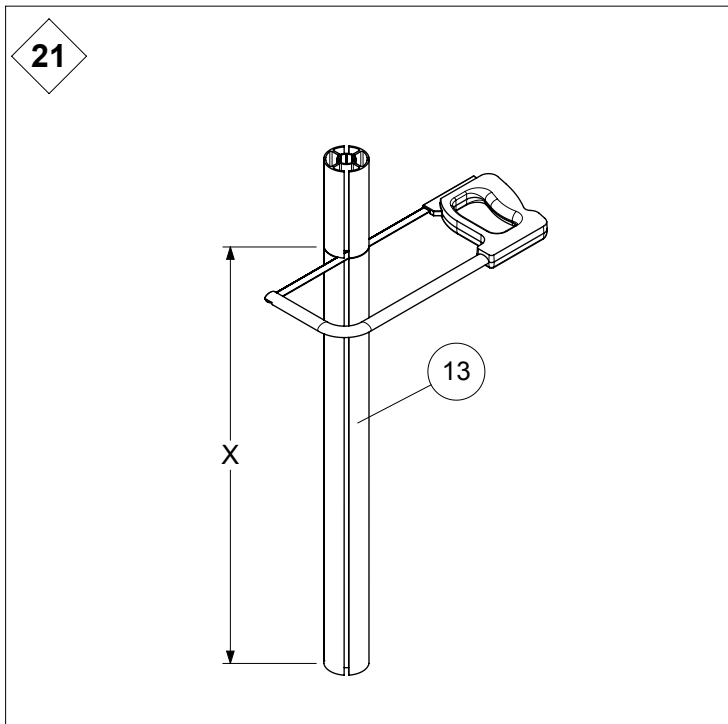
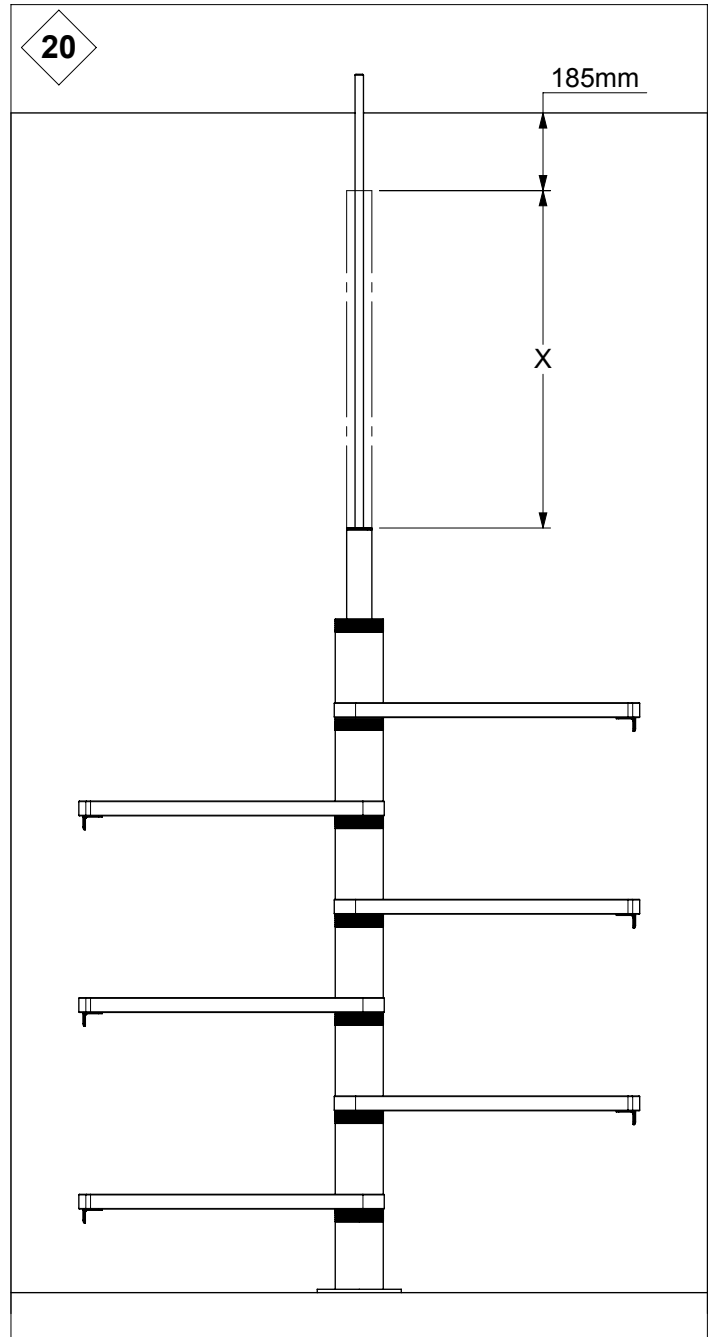
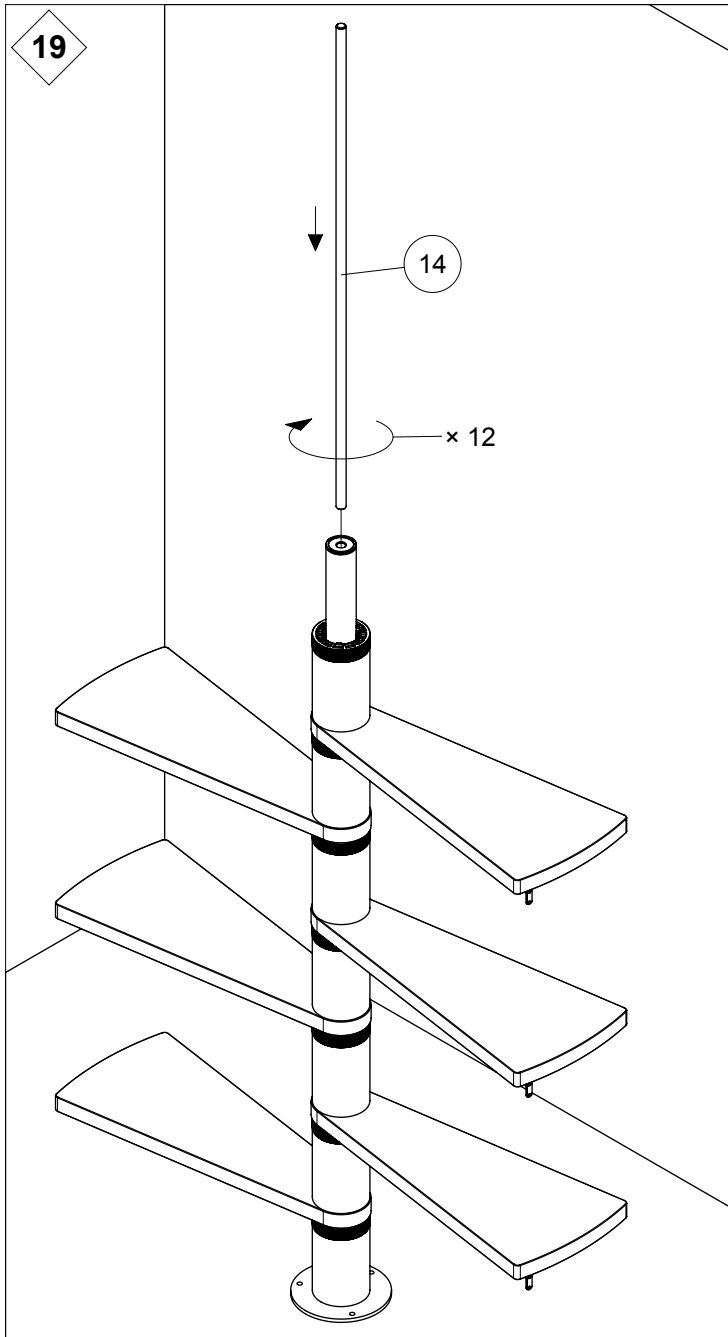


17

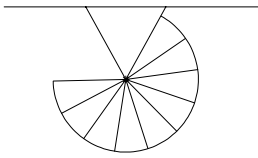
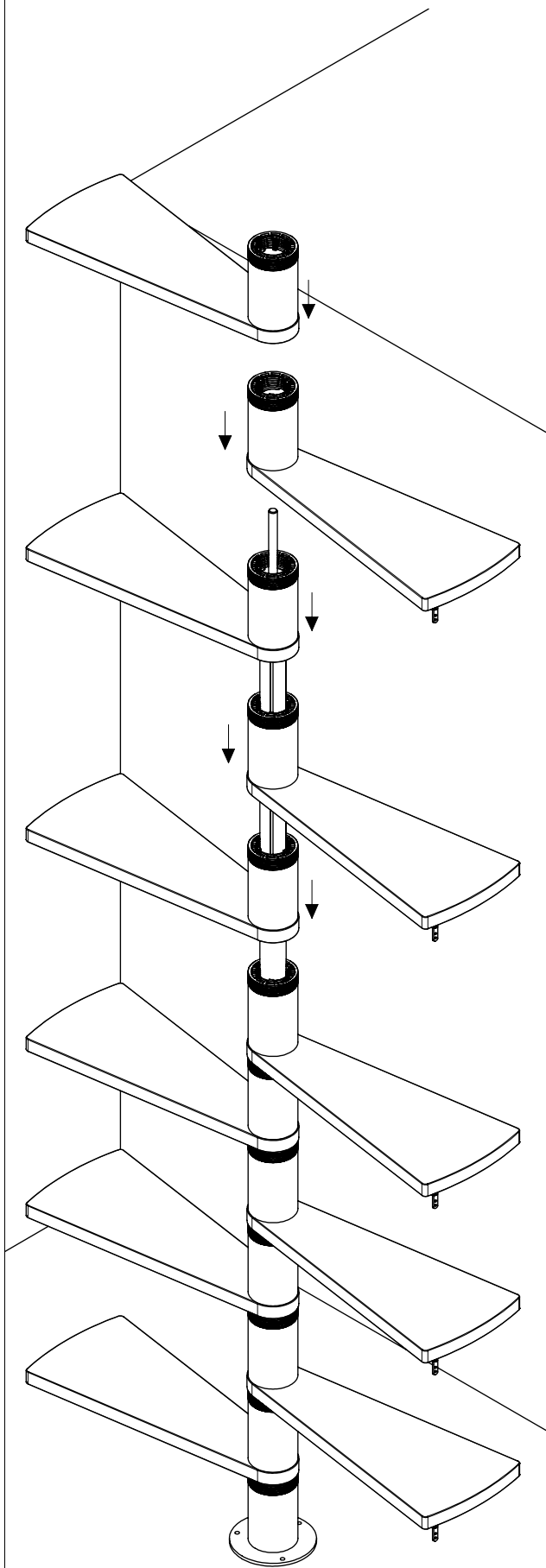


18

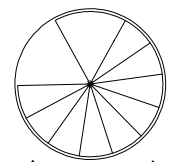
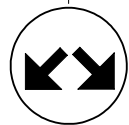




23

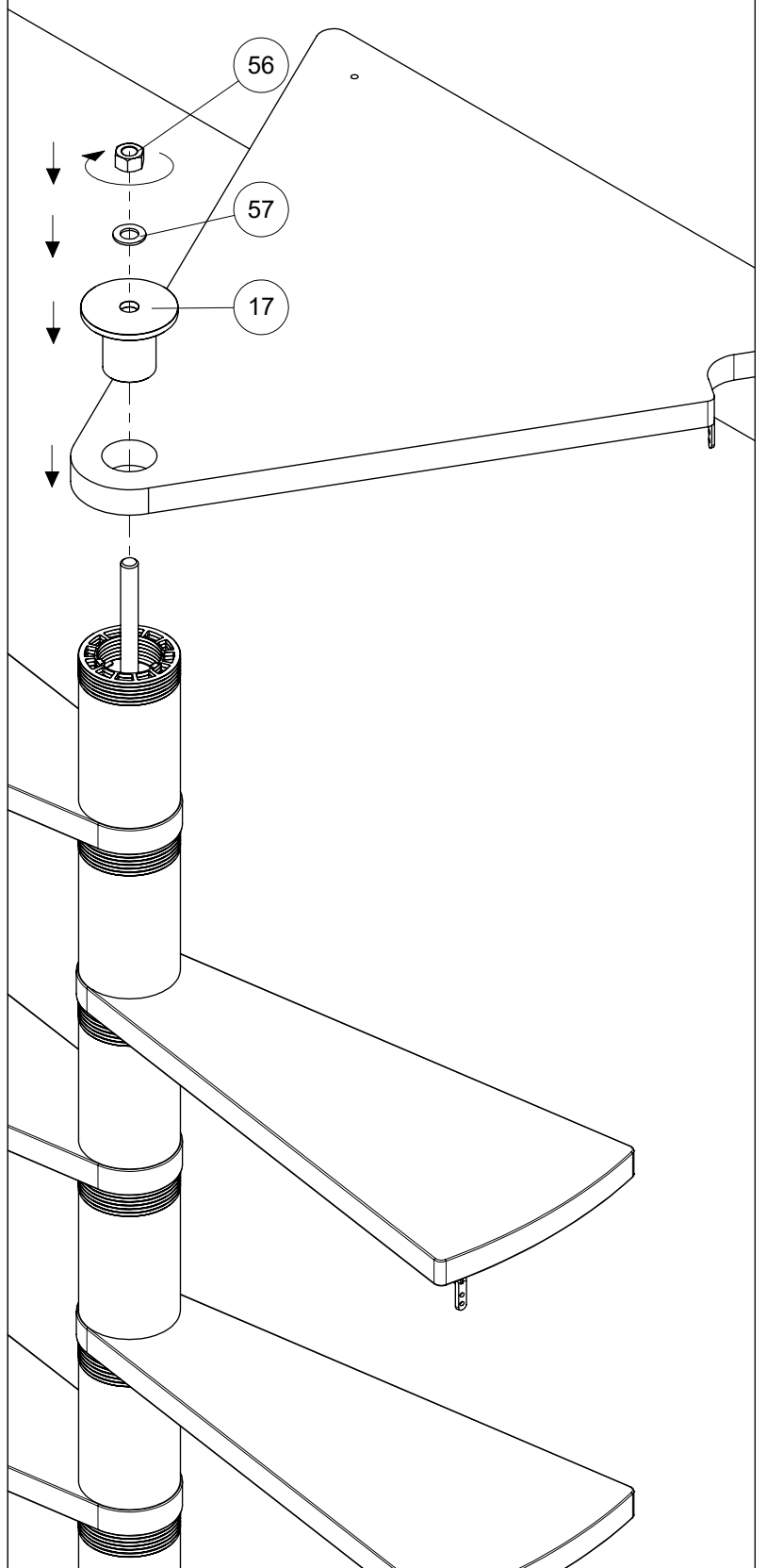


24 - 28

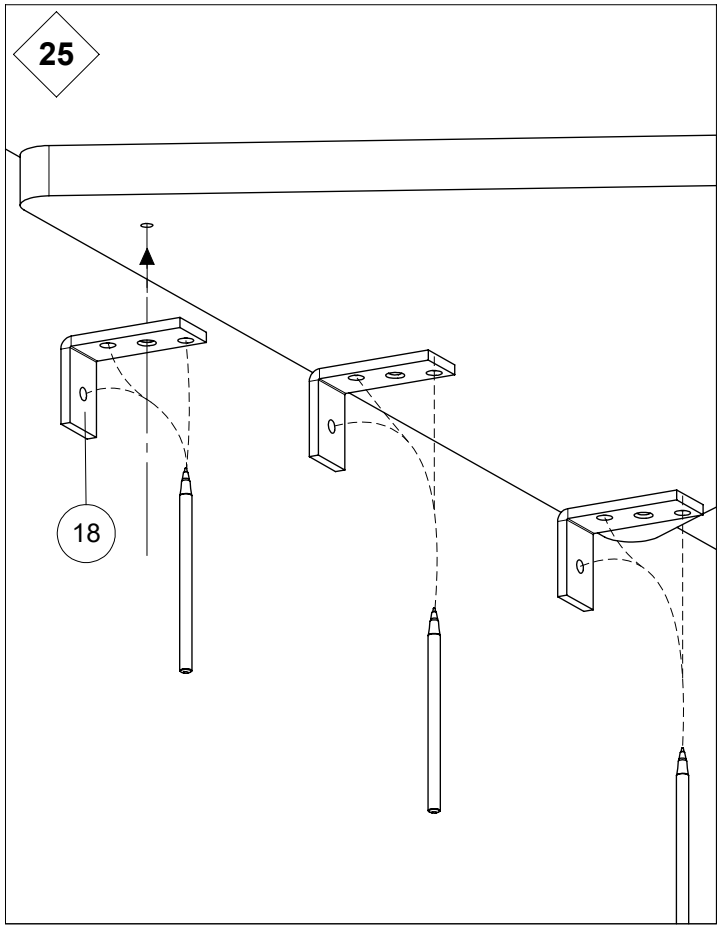


29 - 37

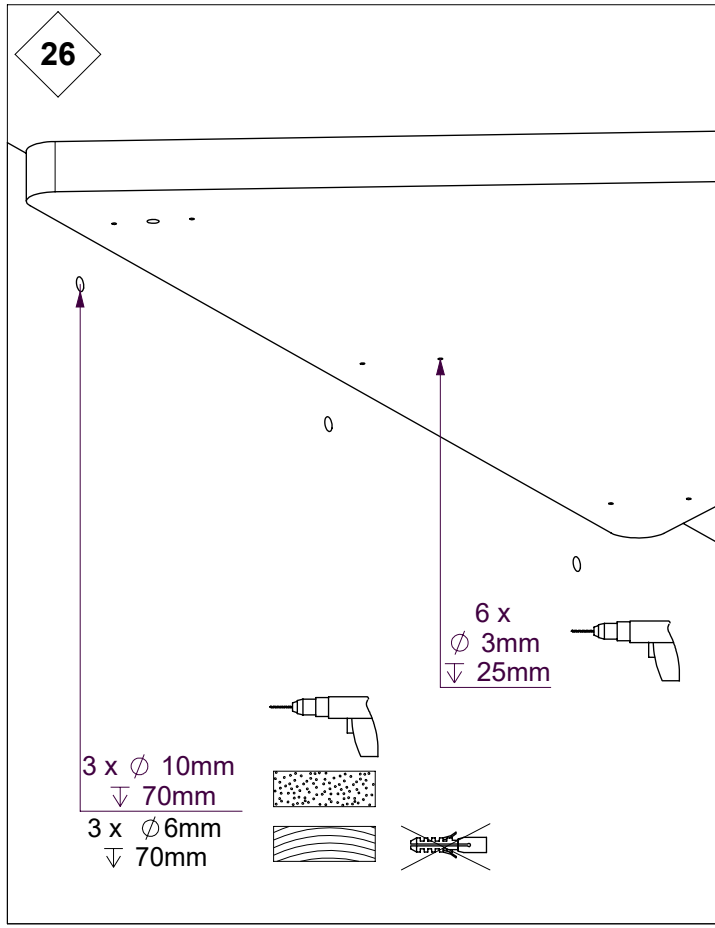
24



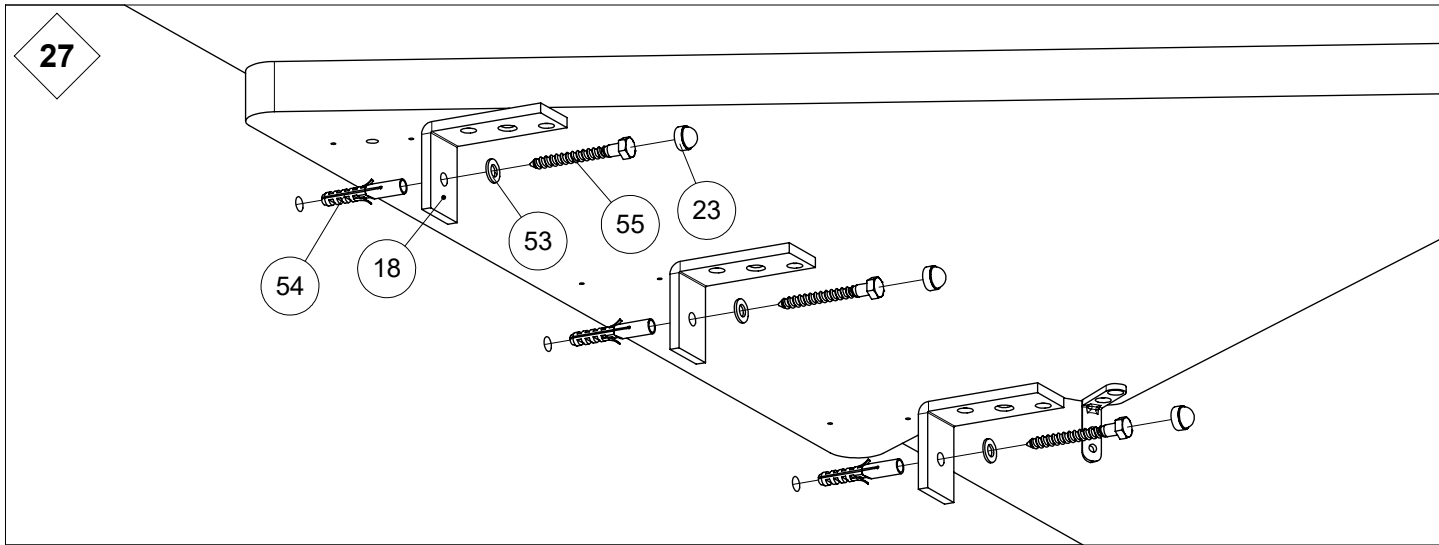
25



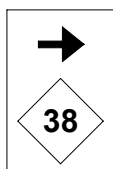
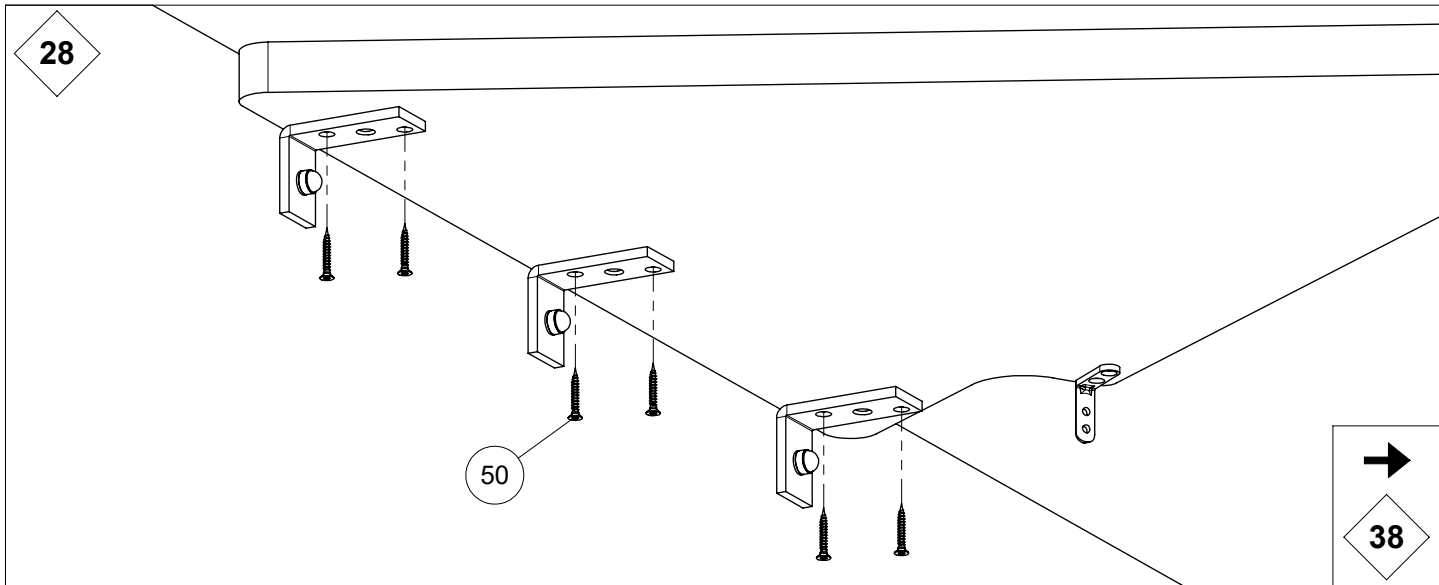
26

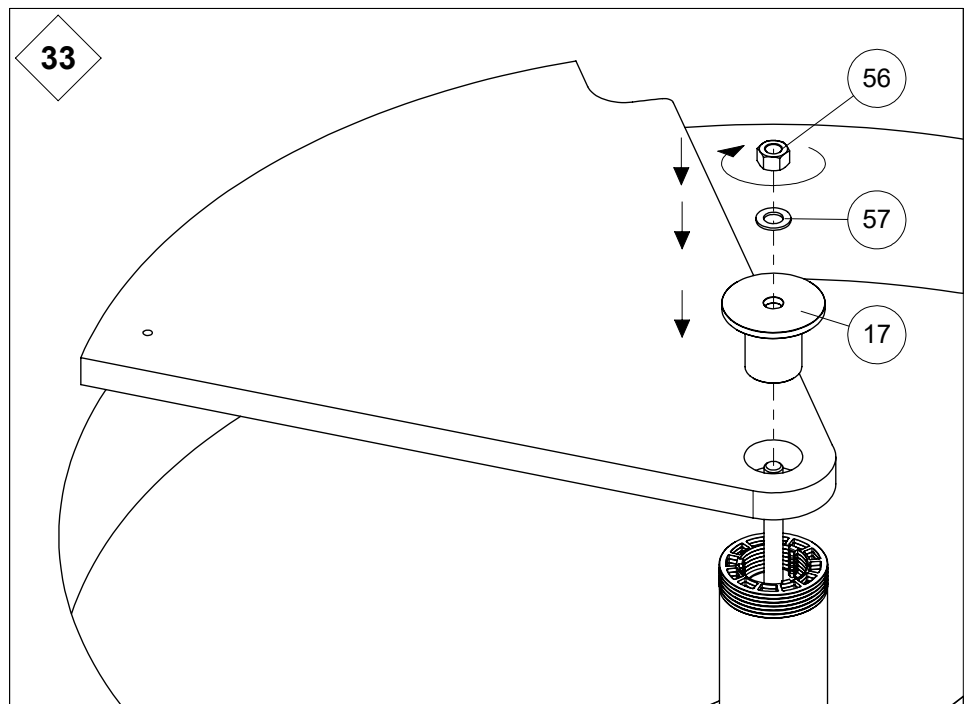
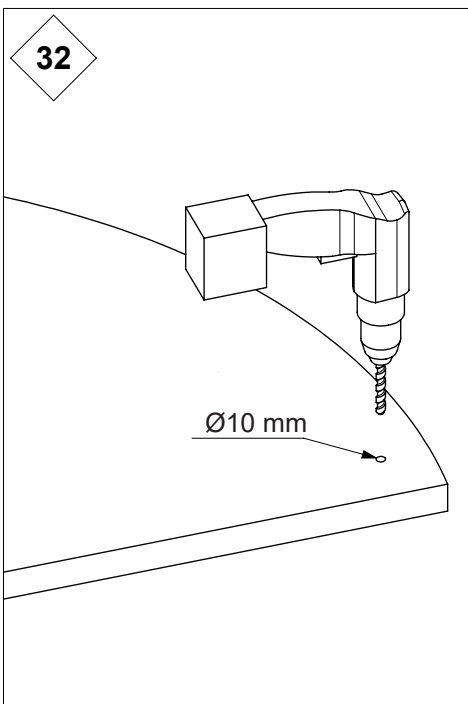
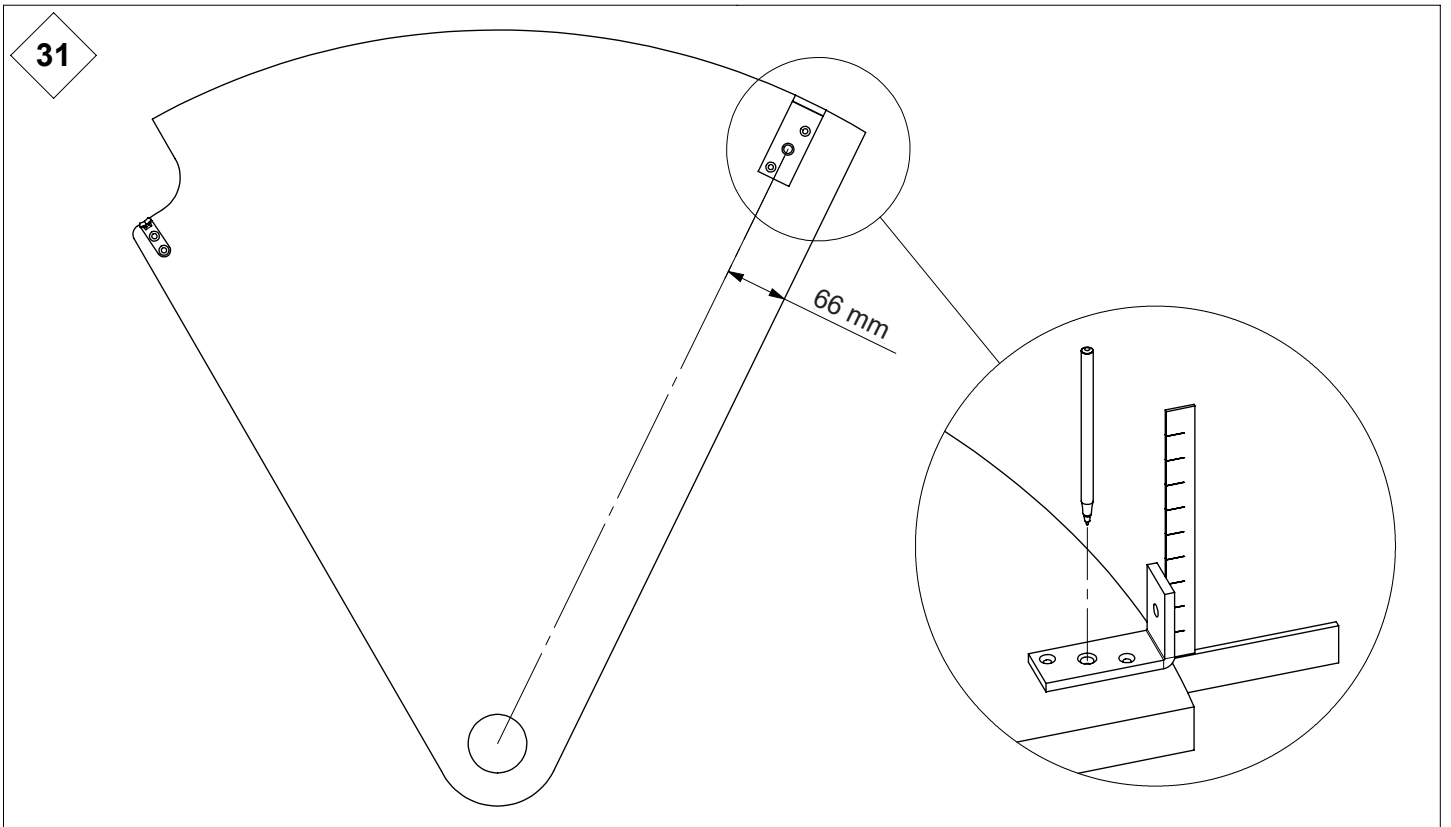
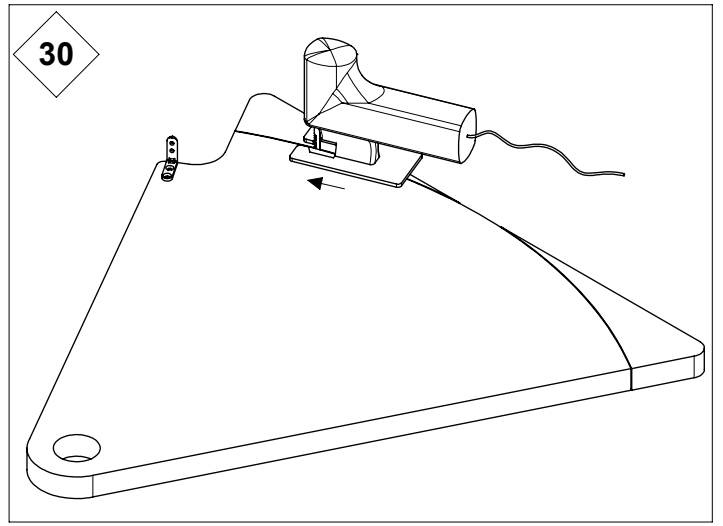
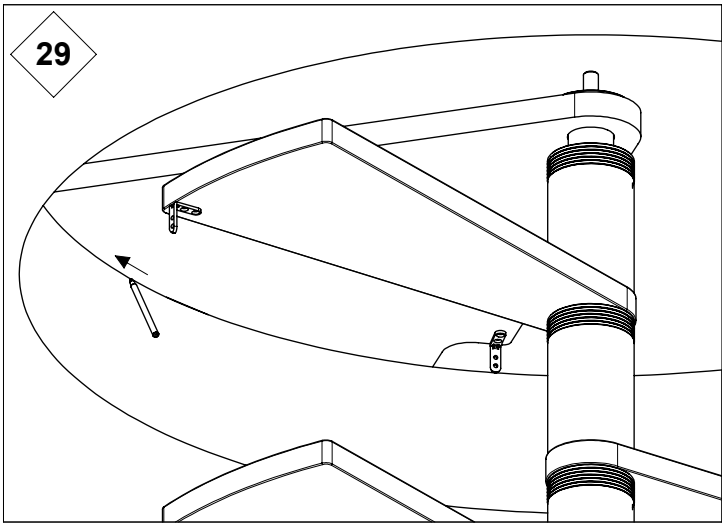


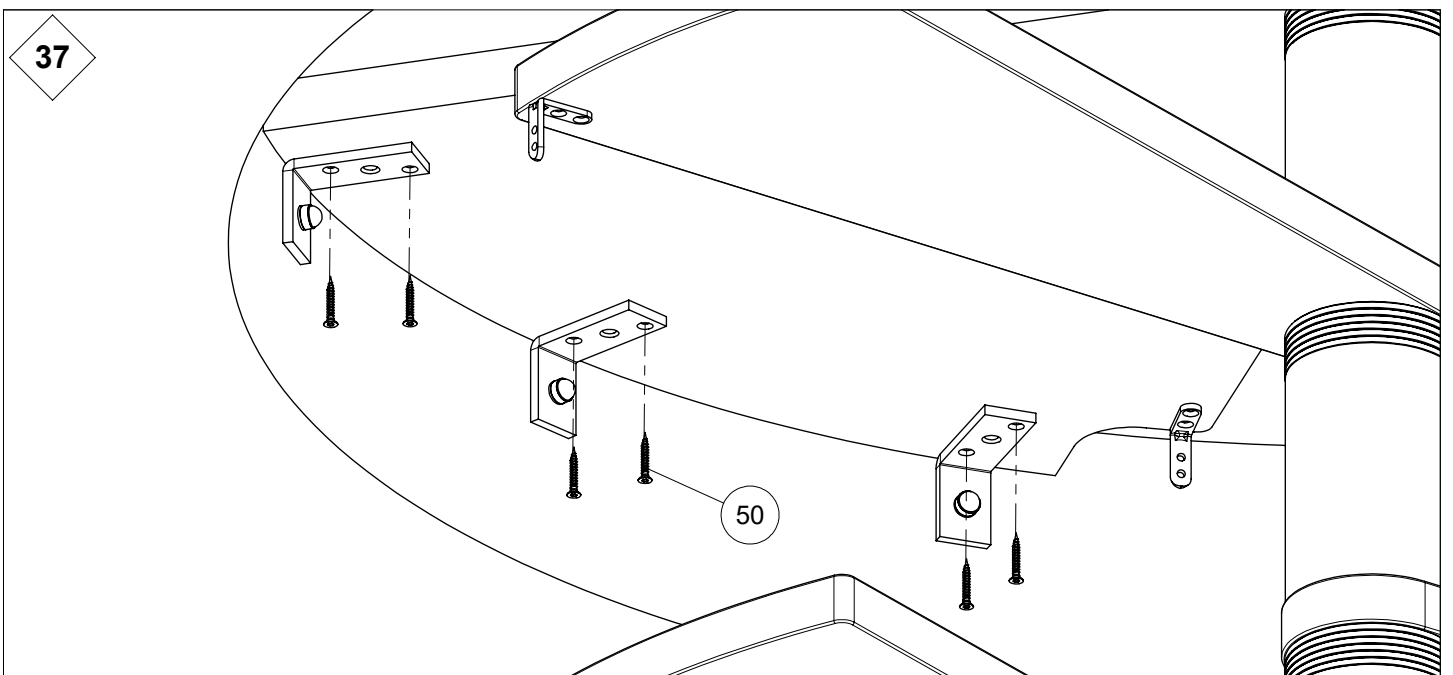
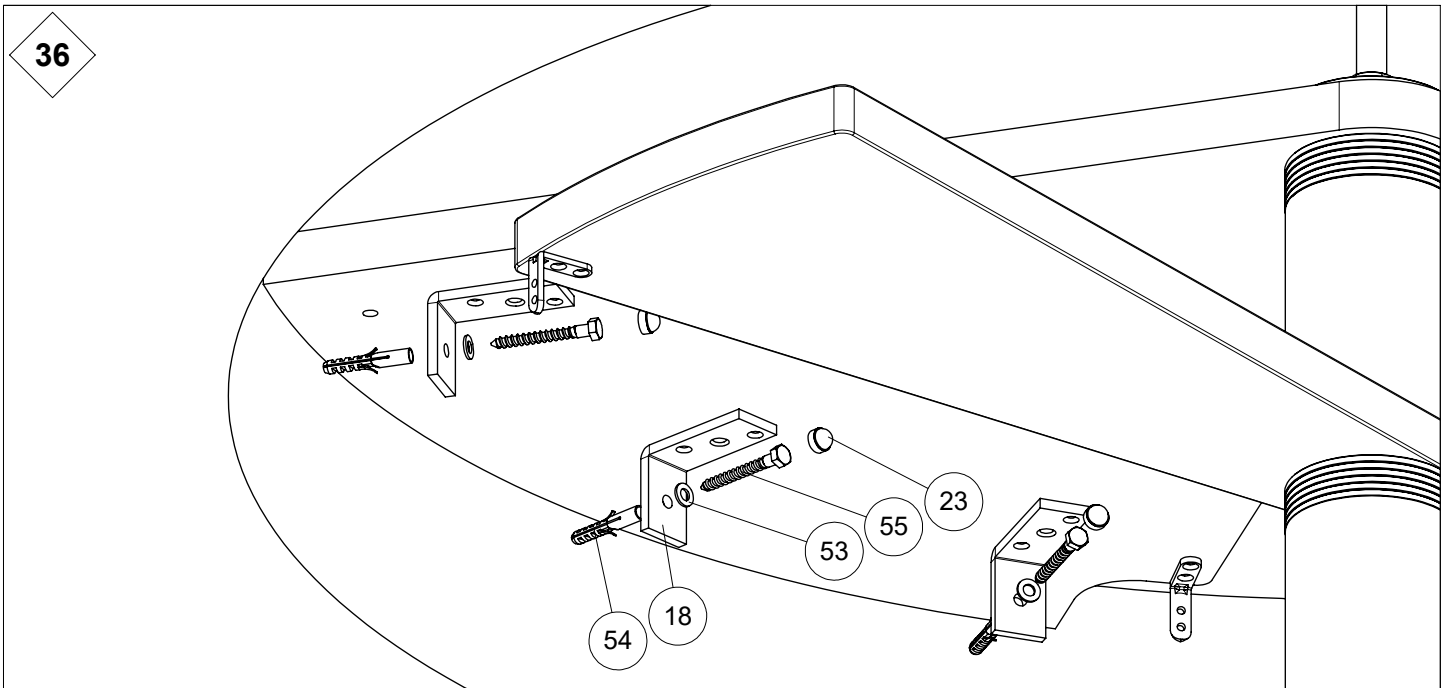
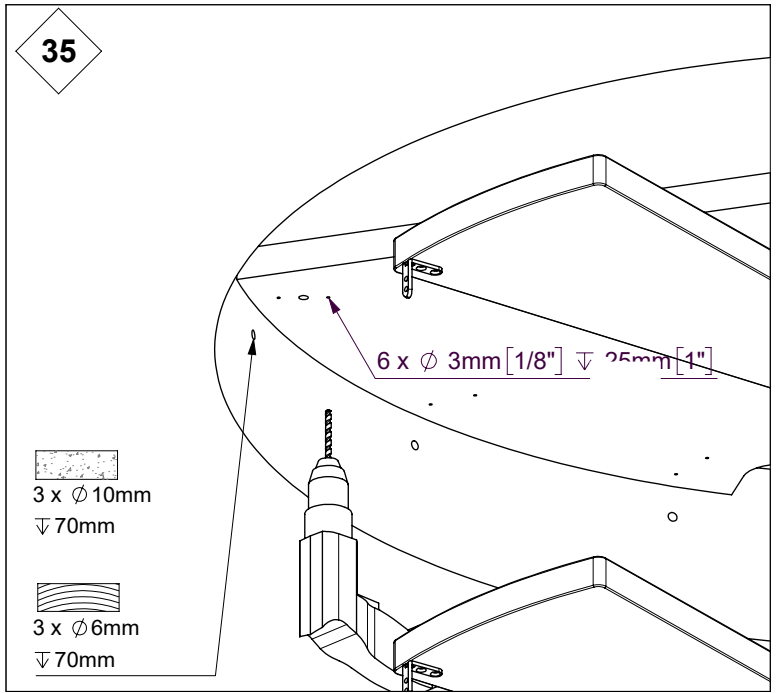
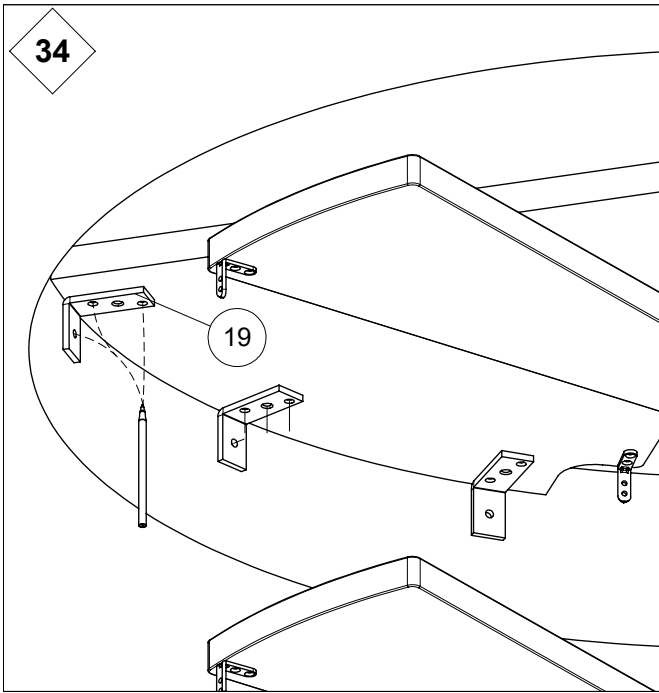
27

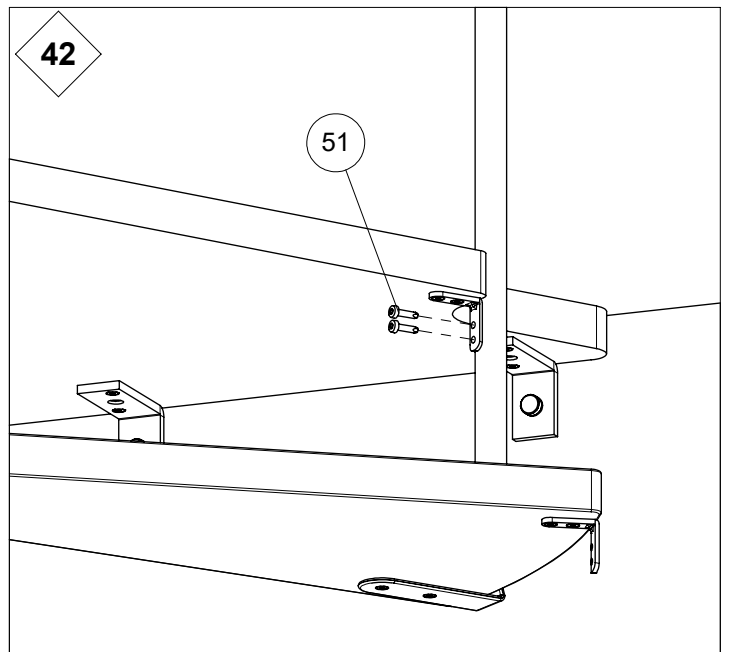
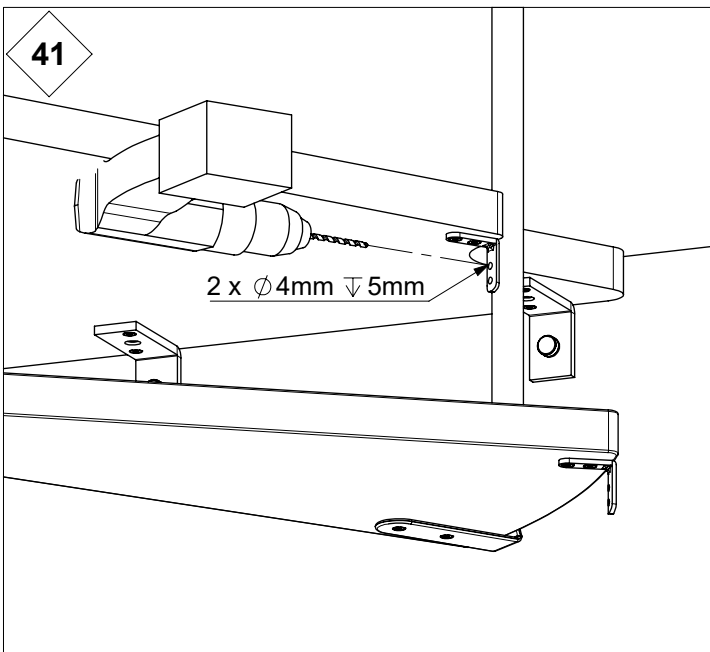
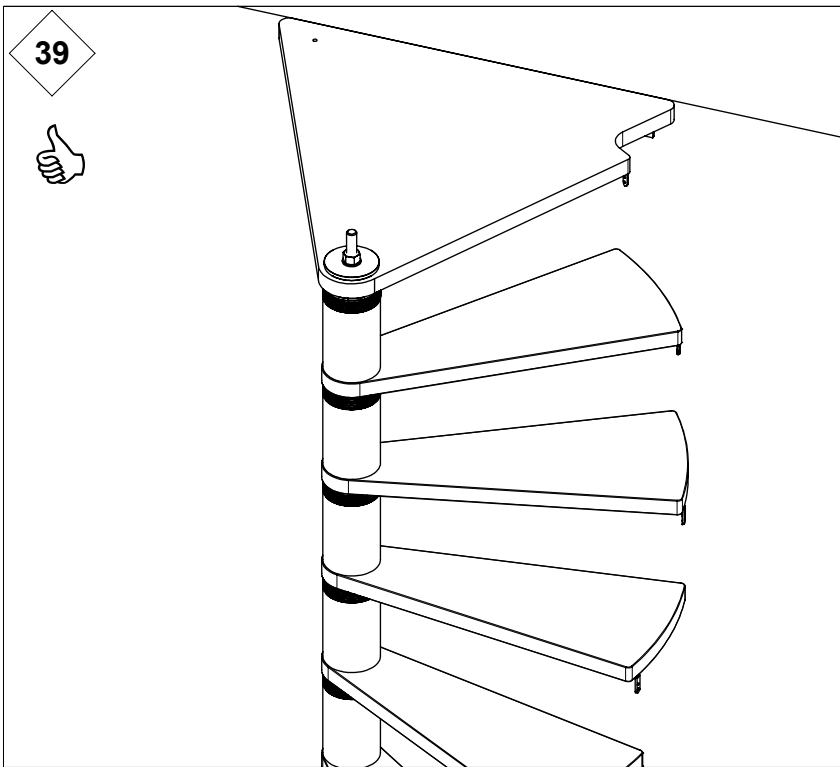
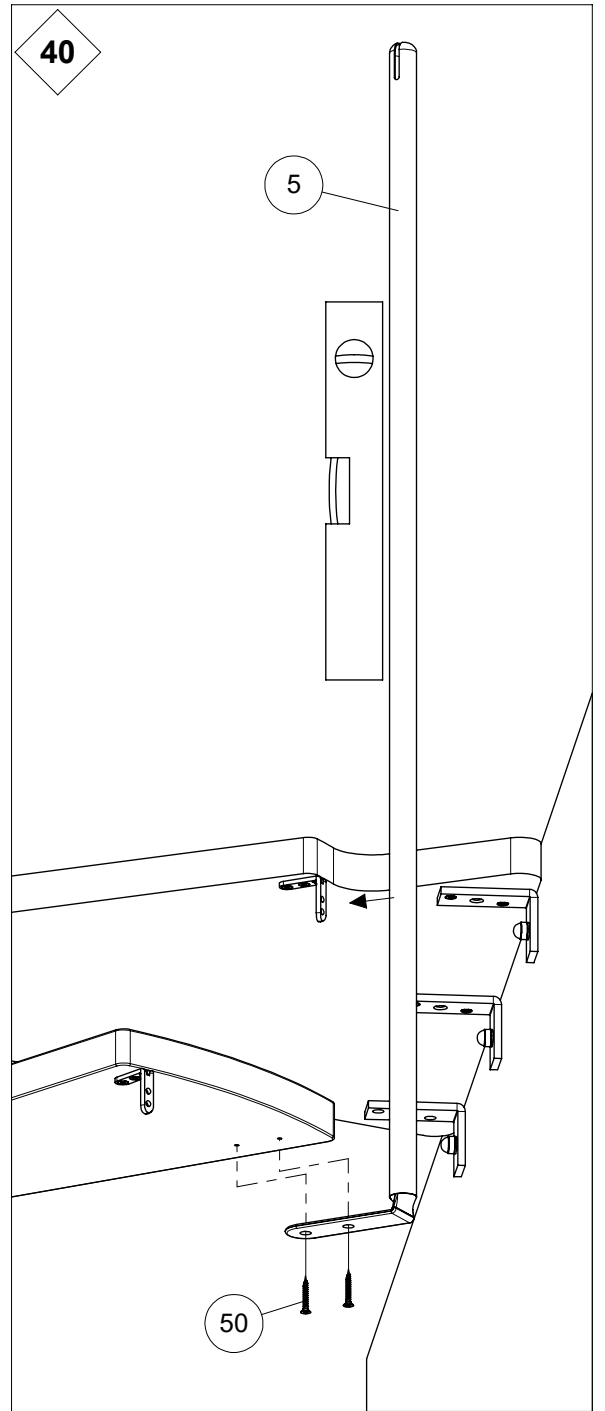
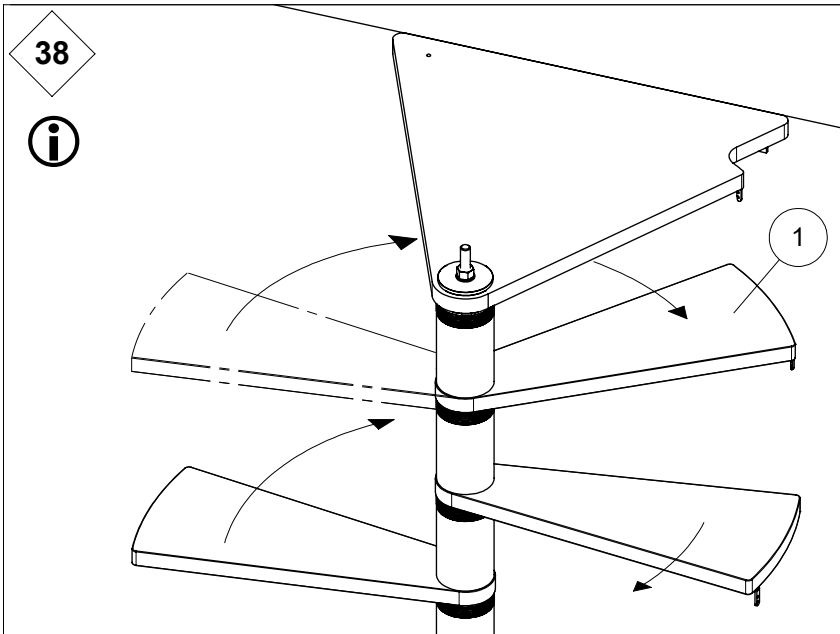


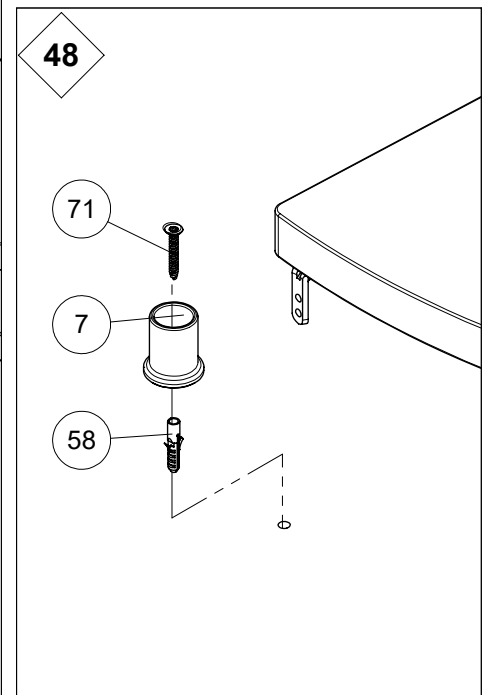
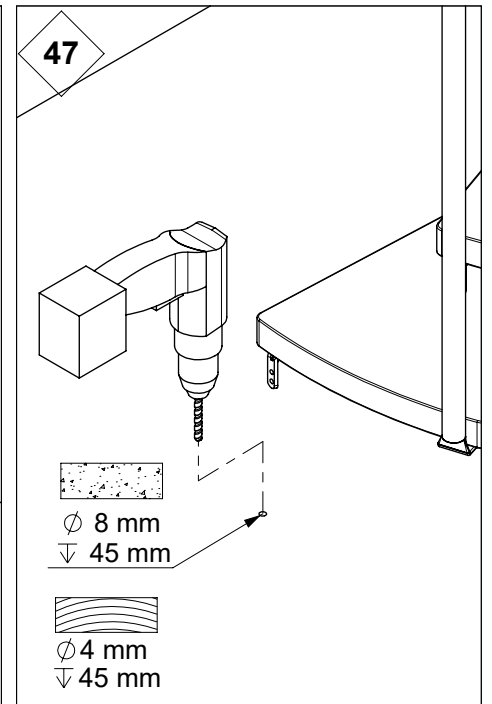
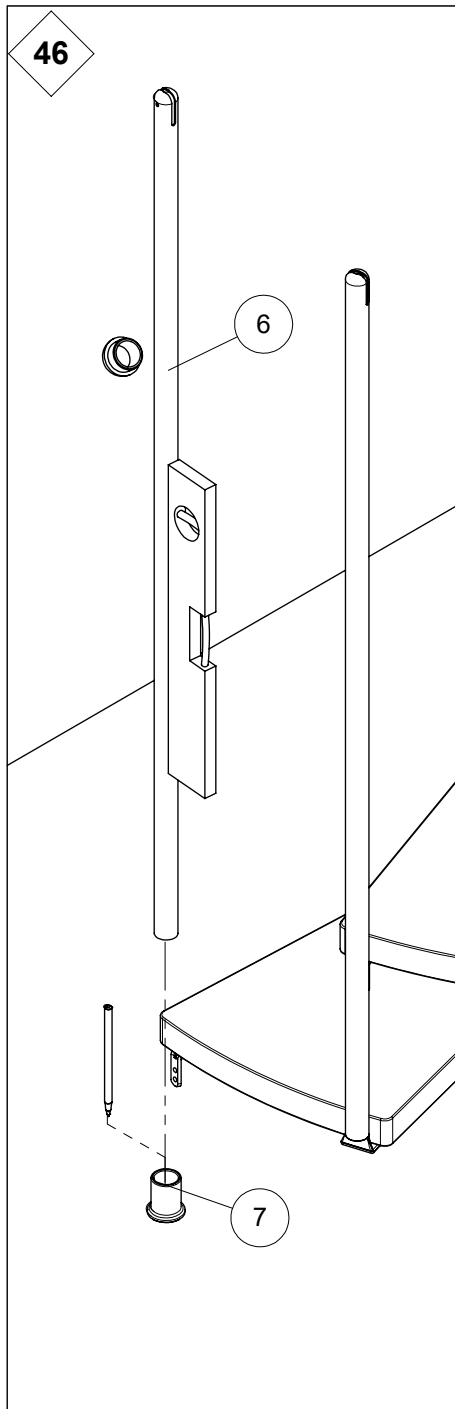
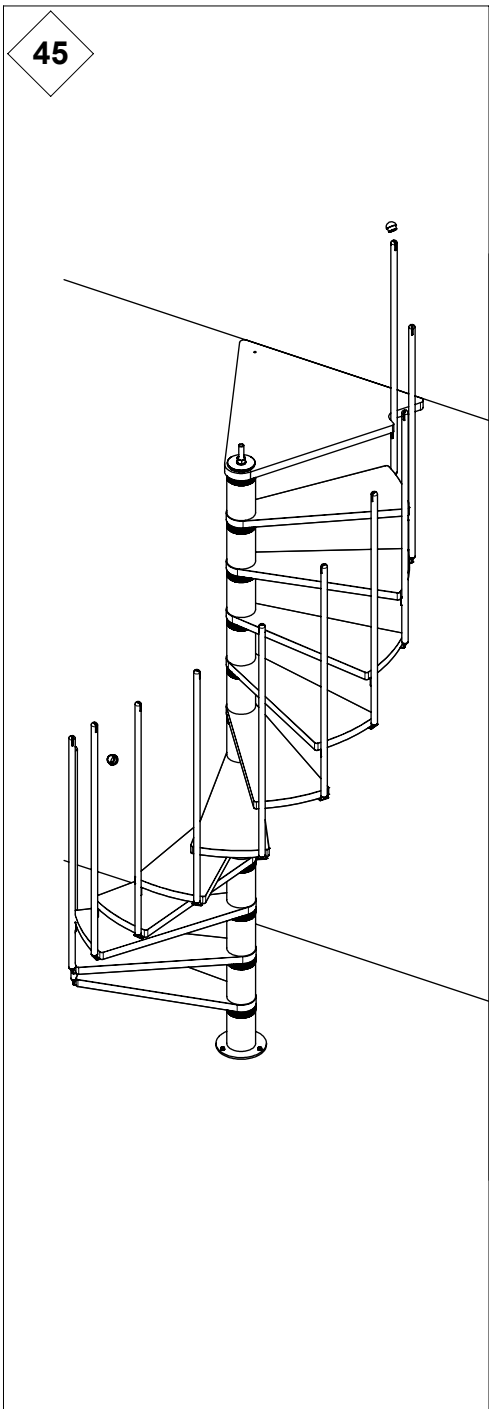
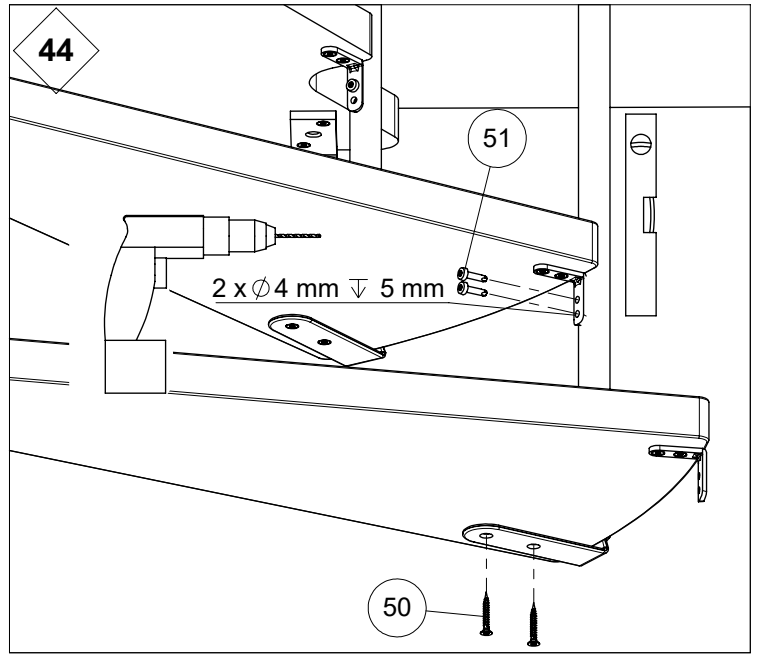
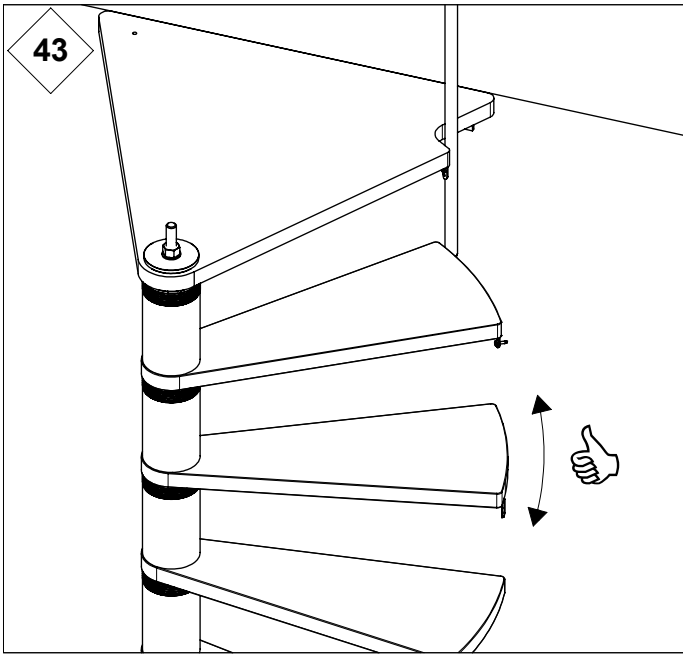
28

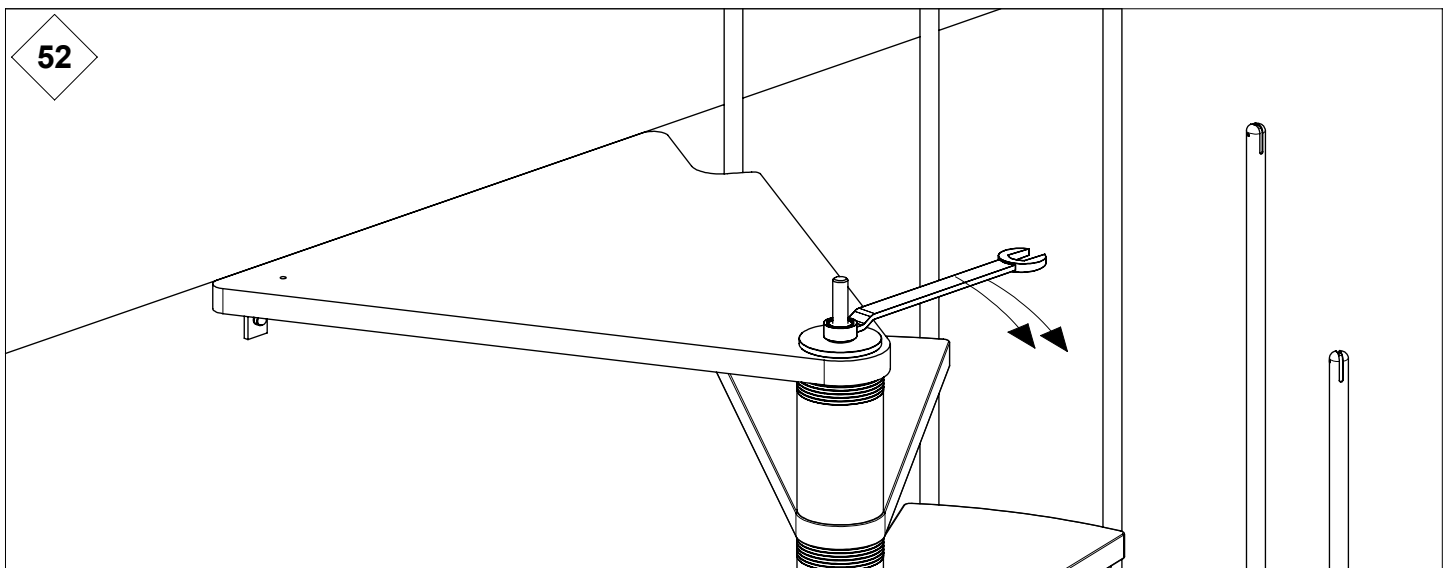
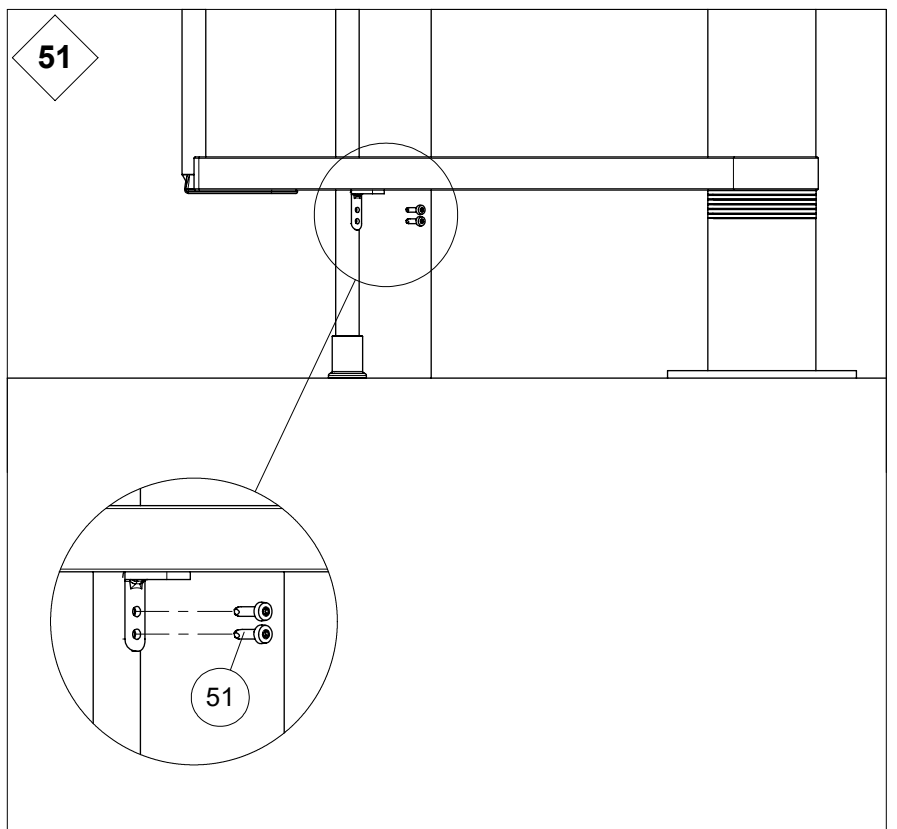
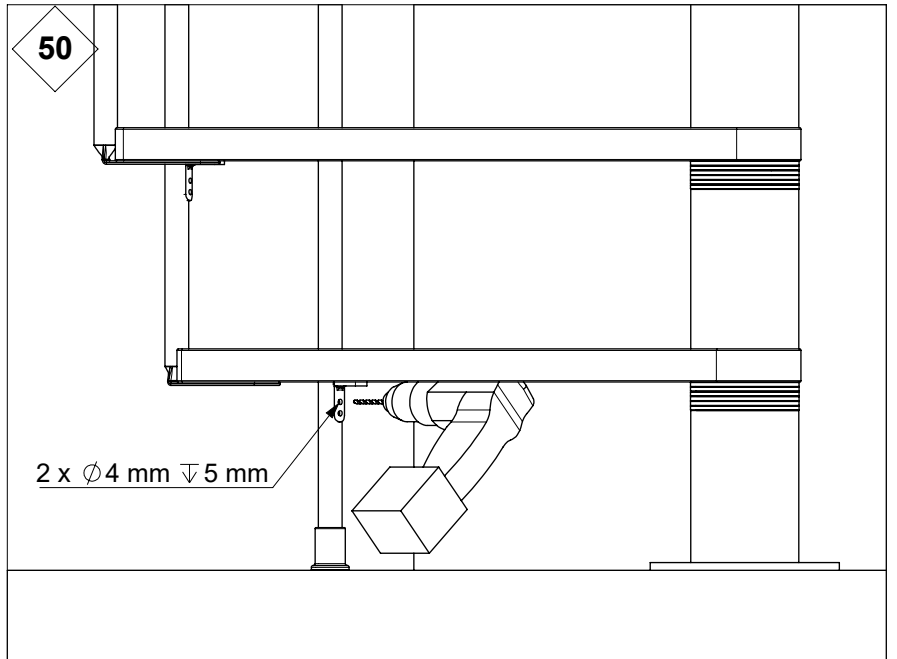
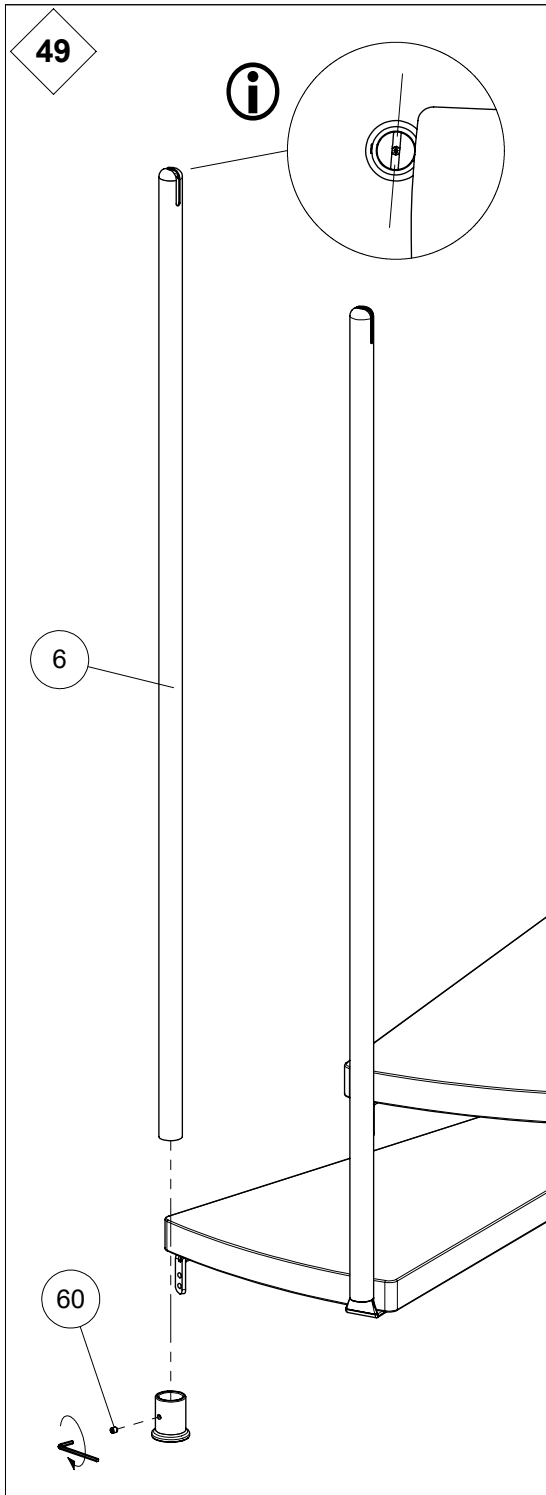


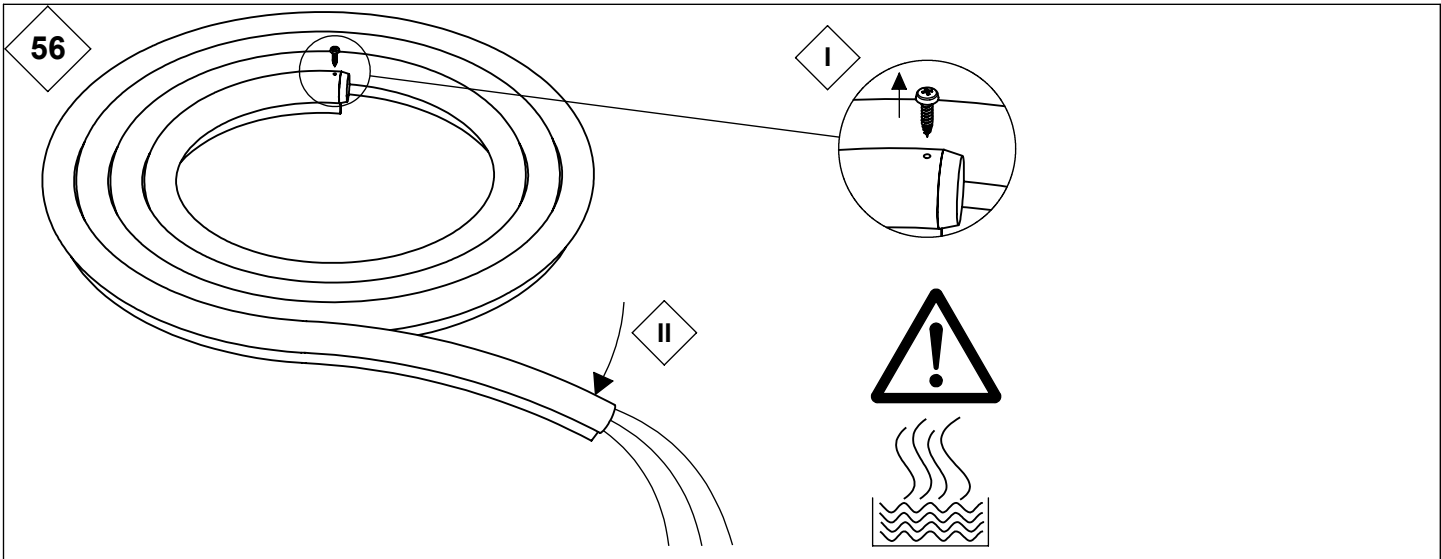
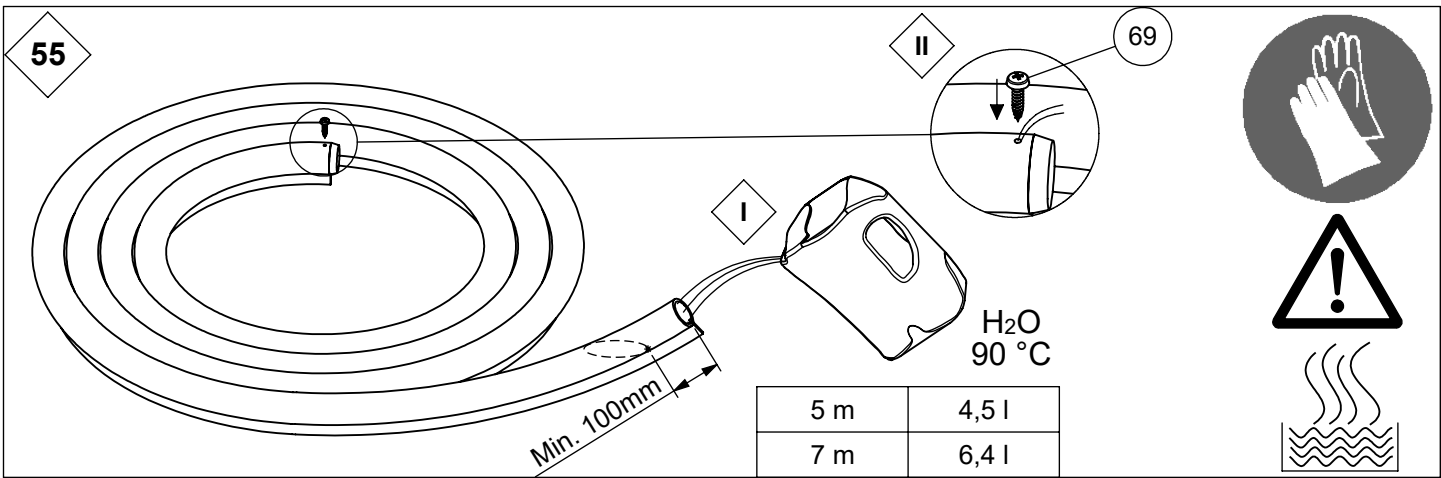
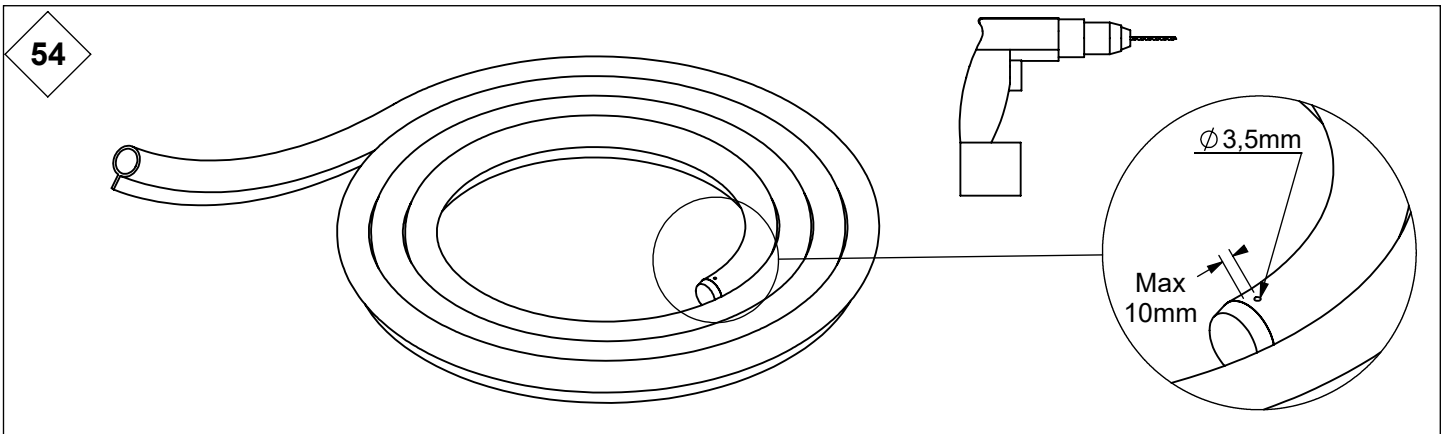
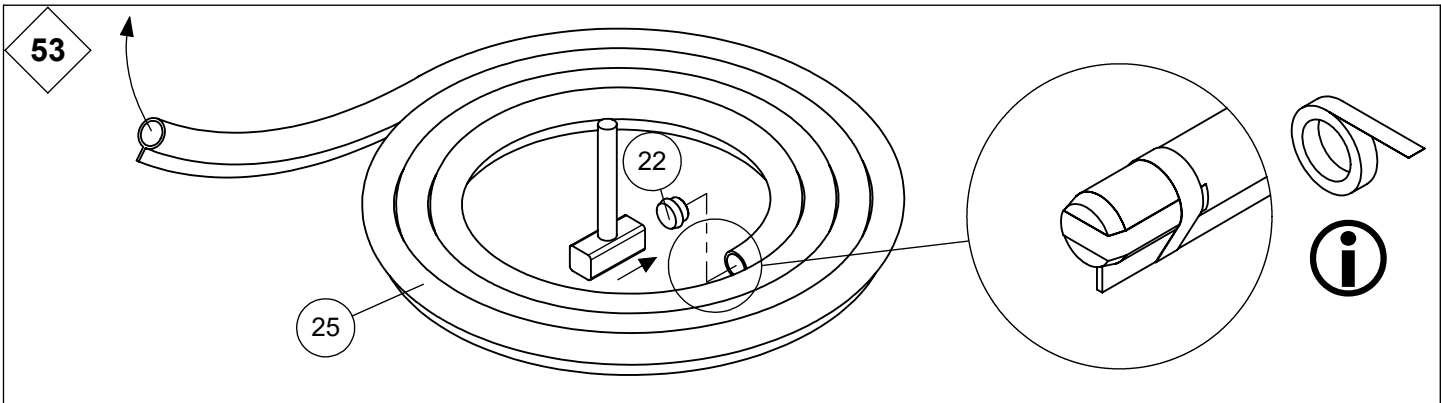
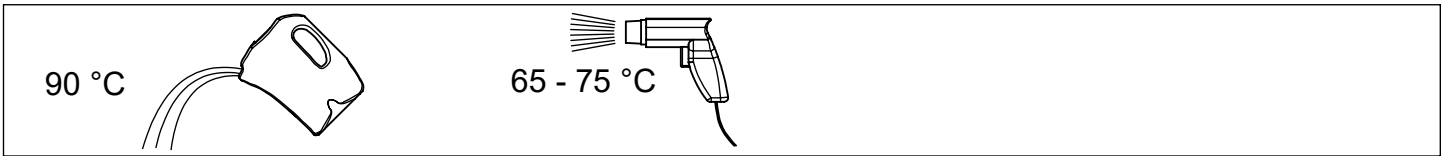


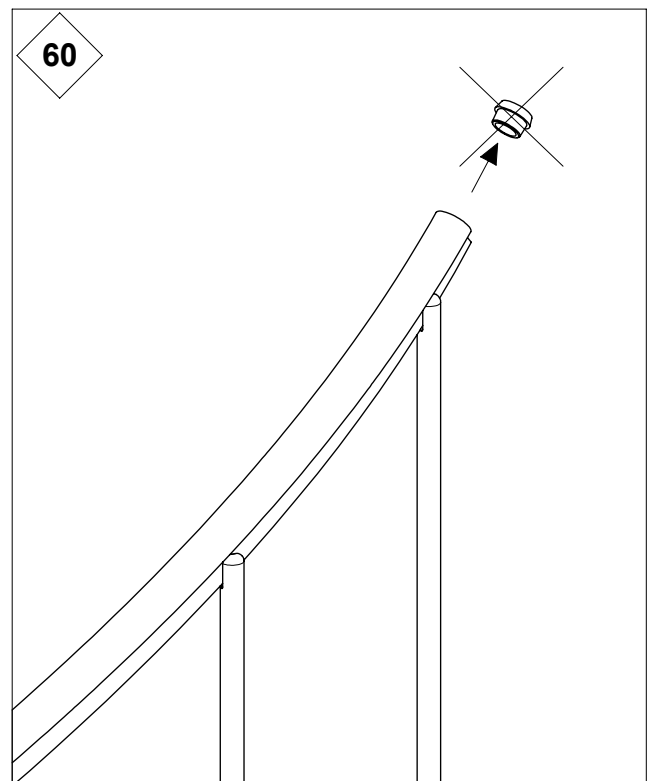
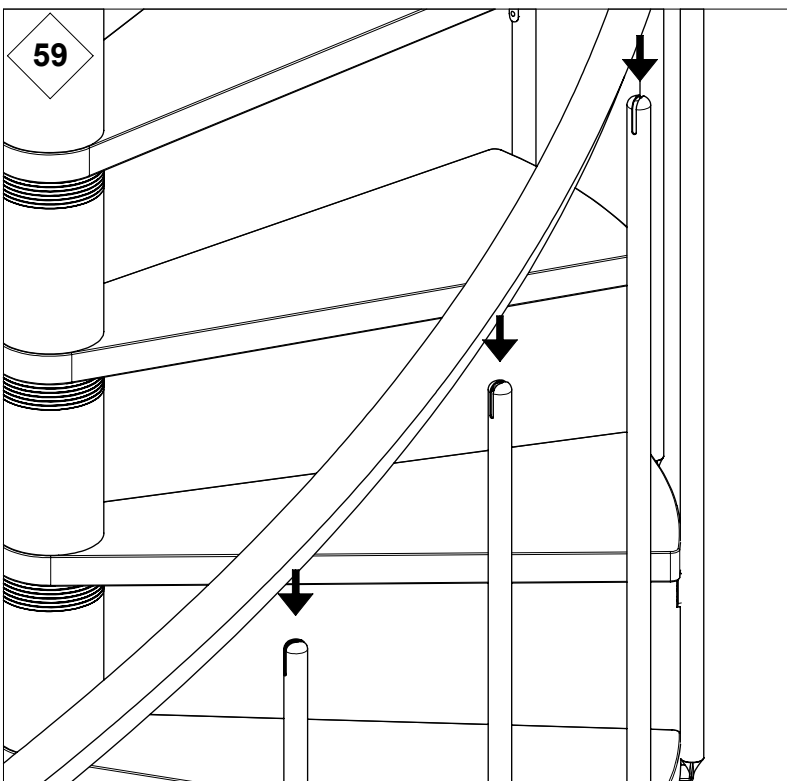
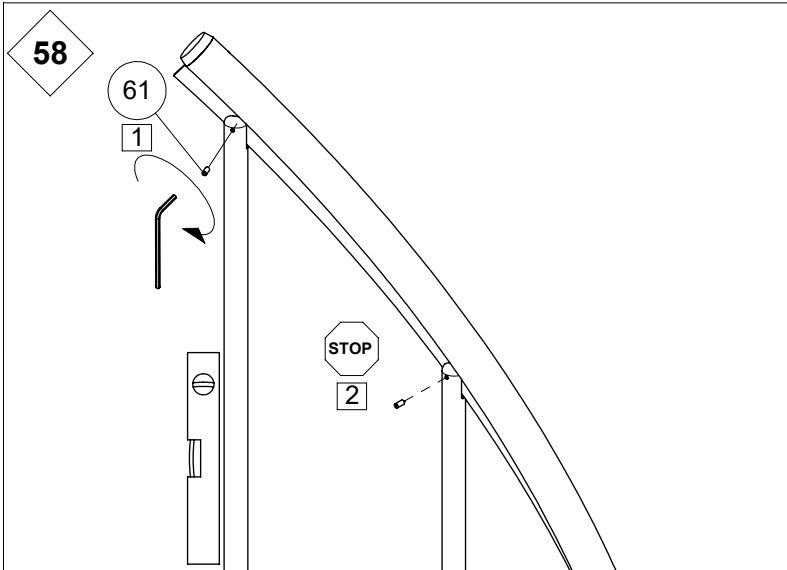
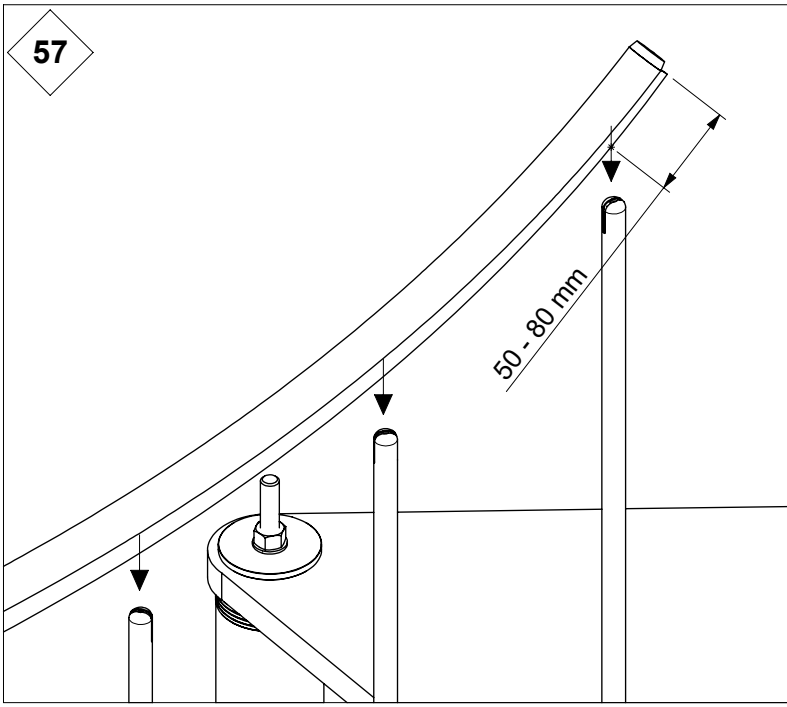




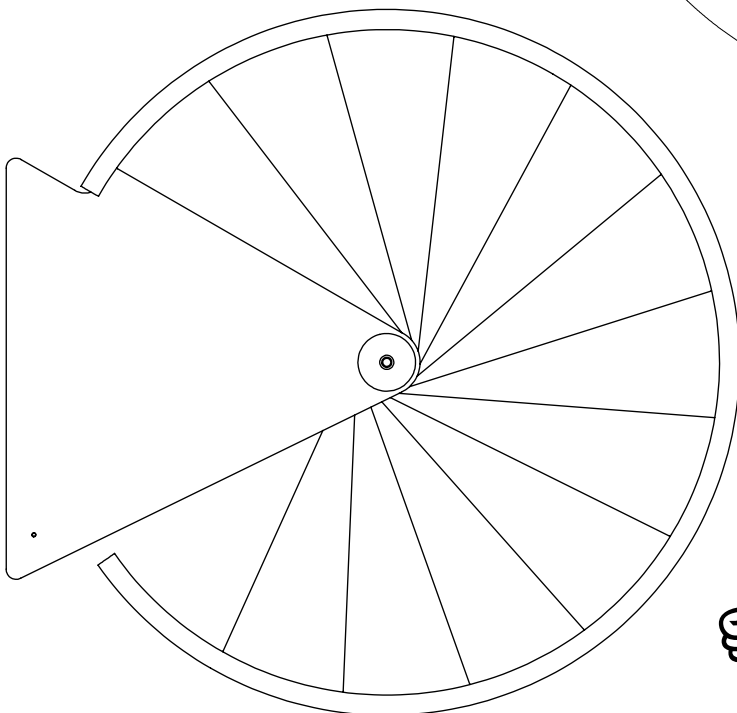
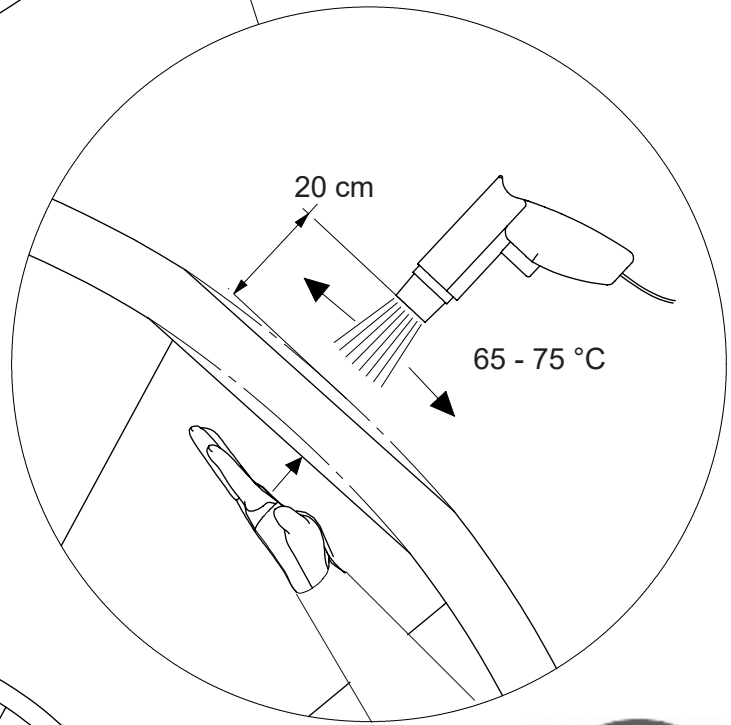
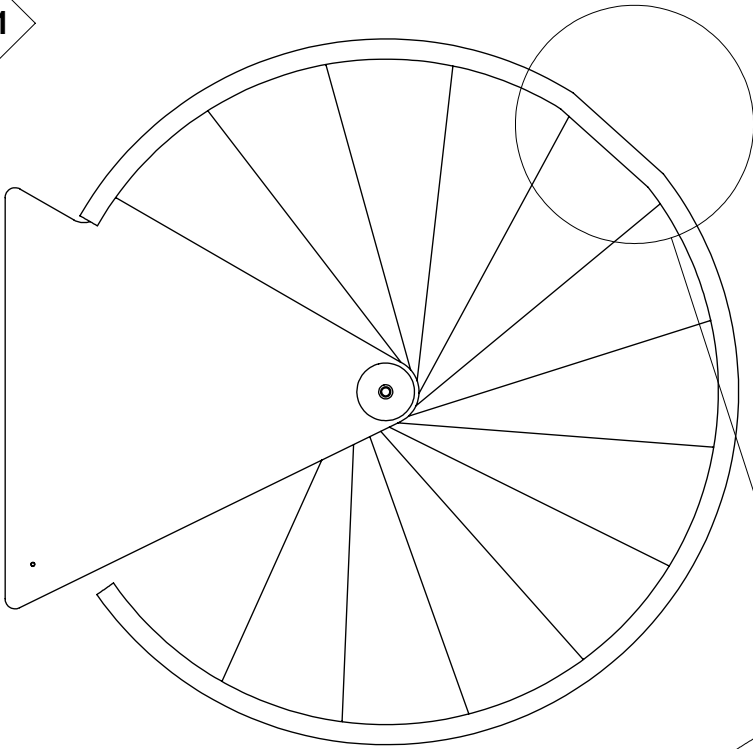


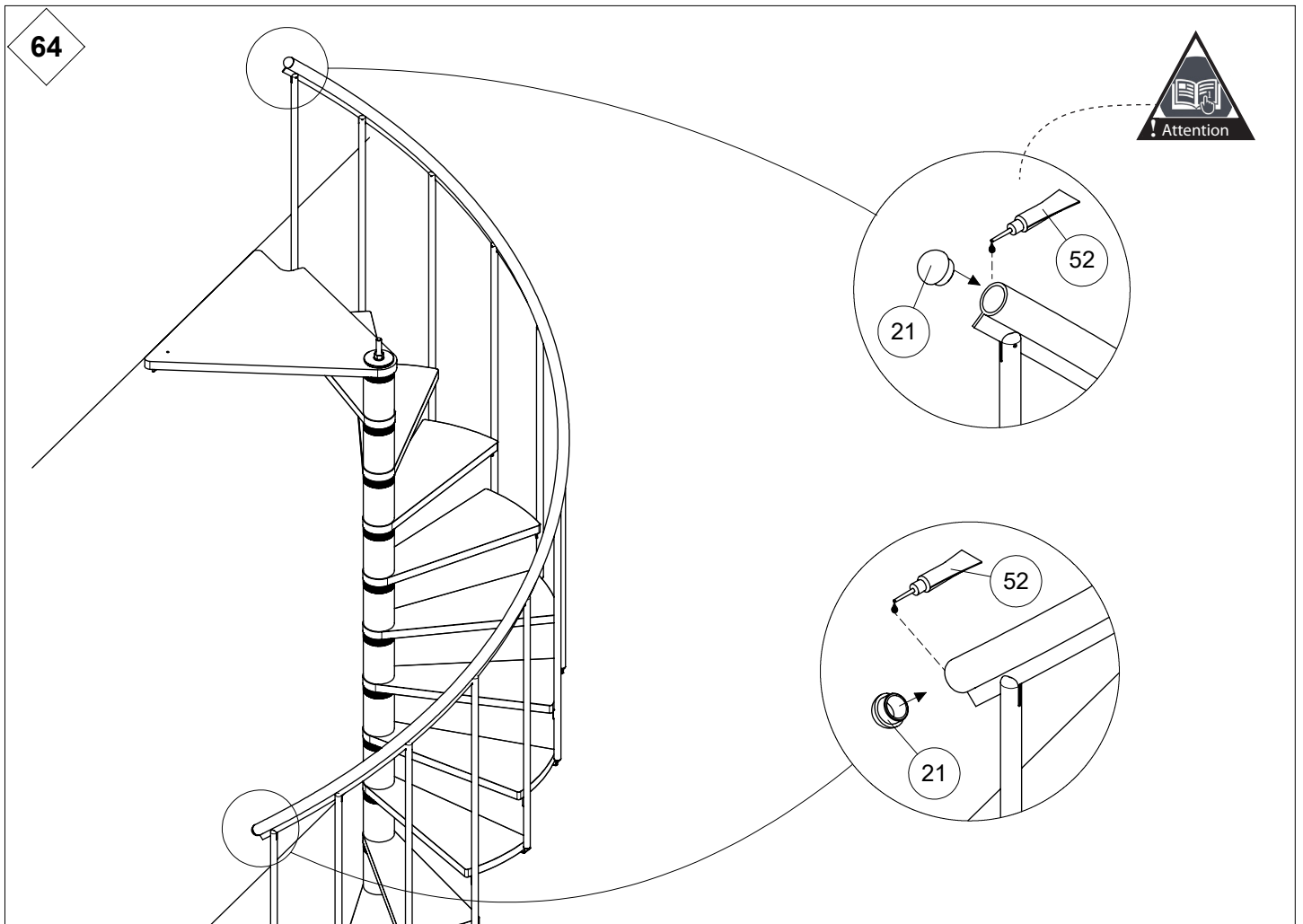
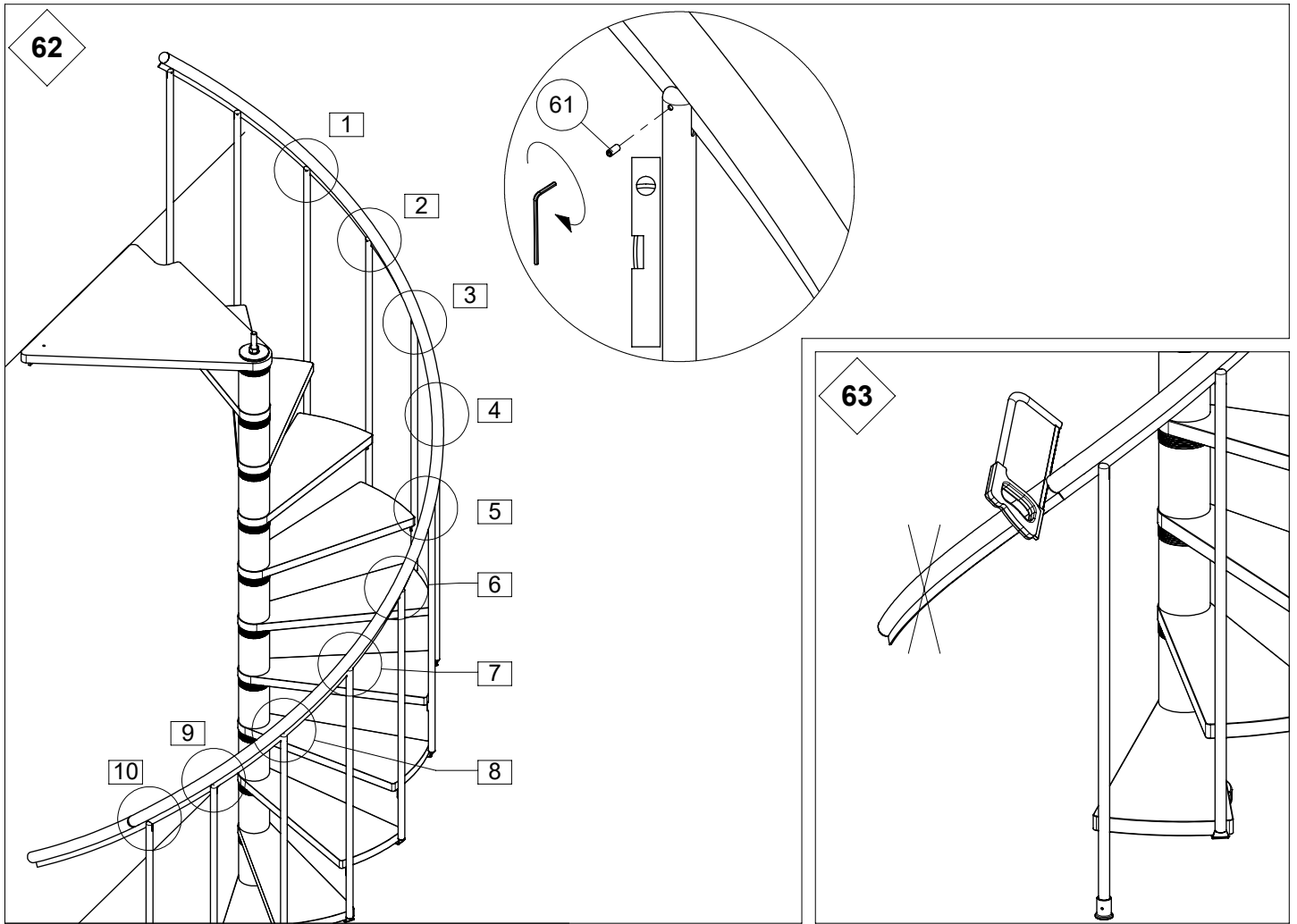


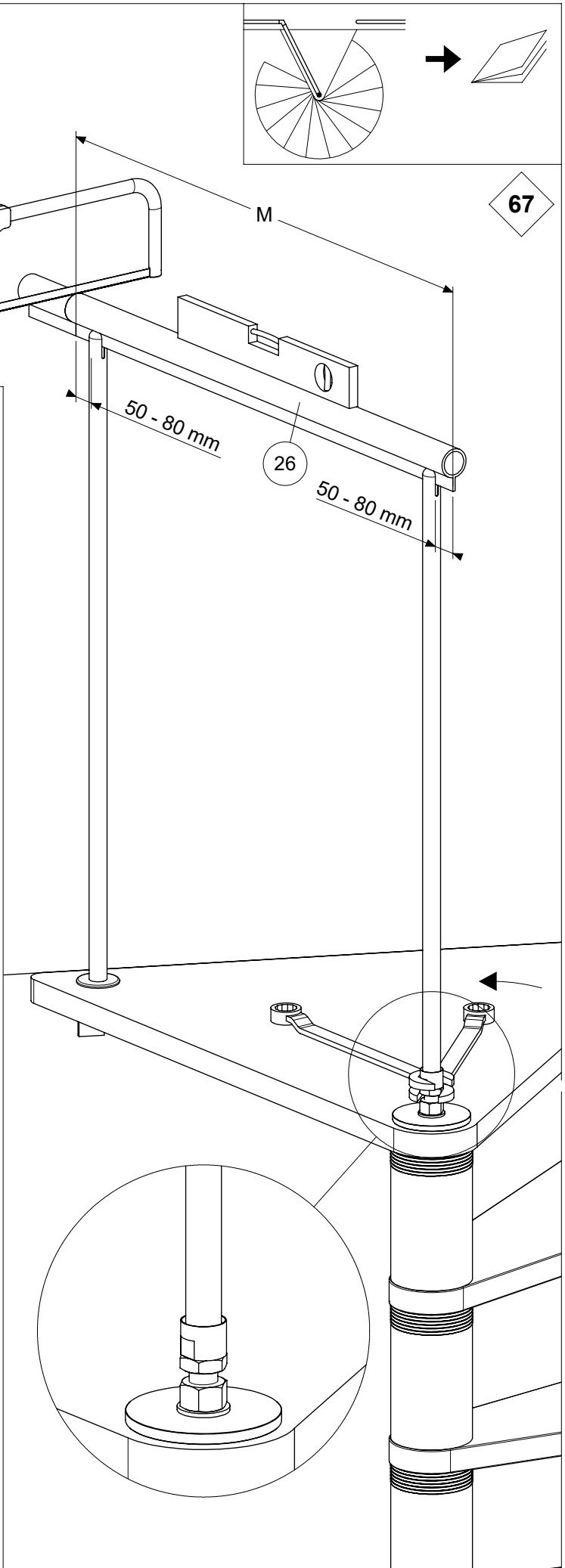
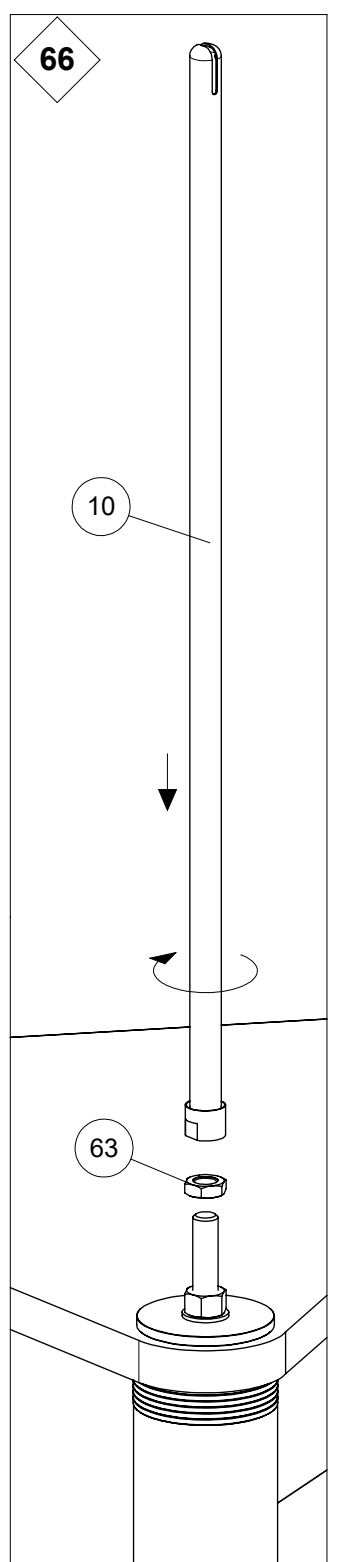
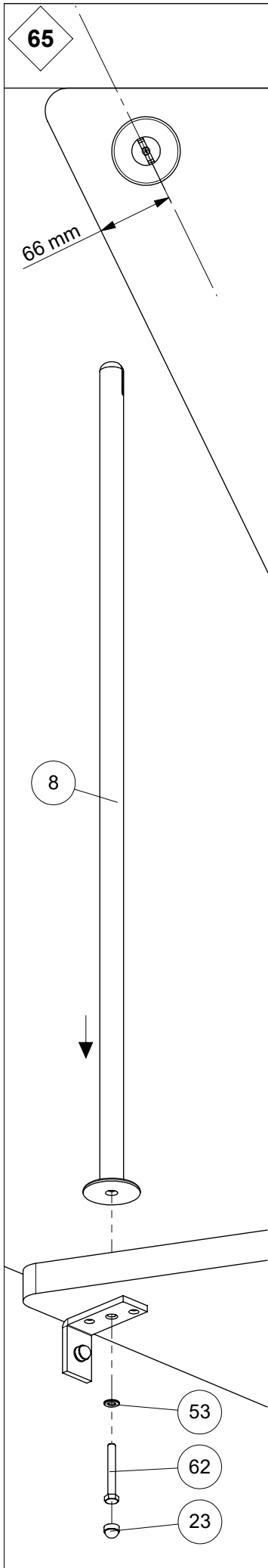




61

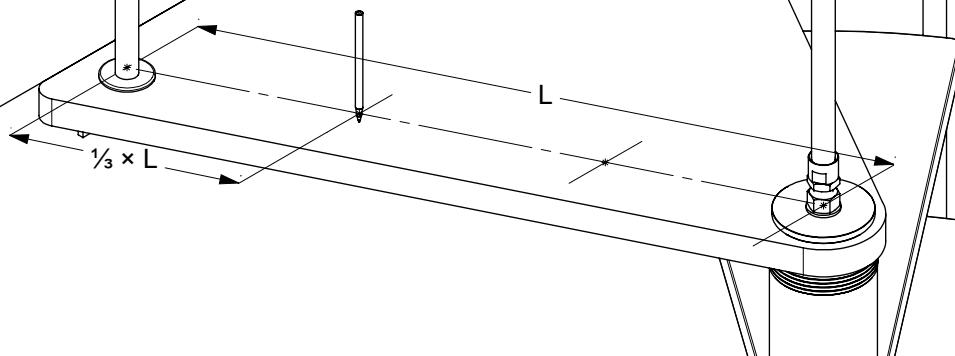




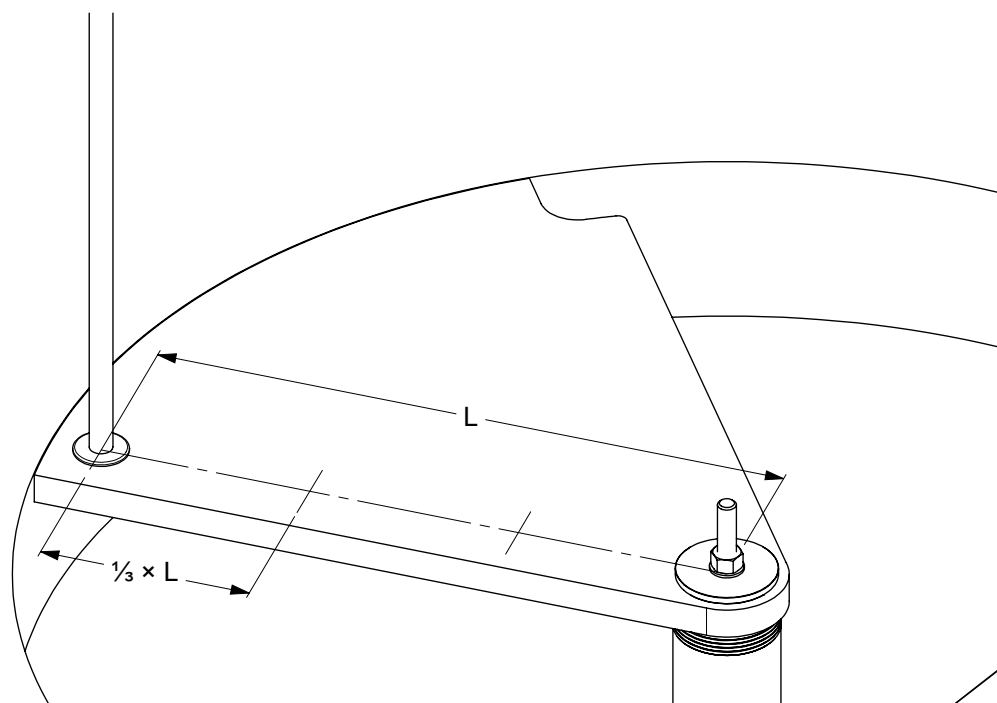


68

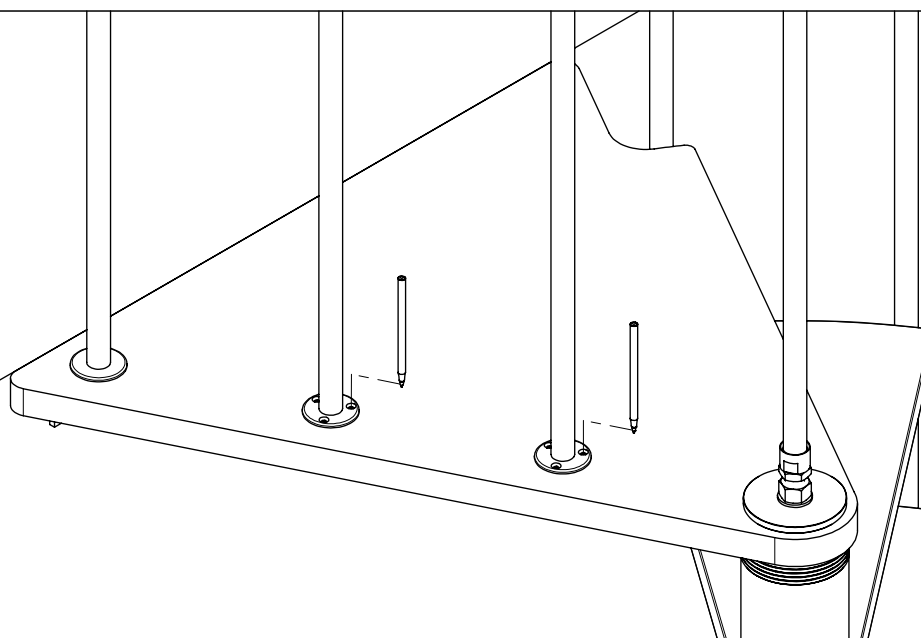
	L	$\frac{1}{3} \times L$
ϕ 120 cm	665 mm	222 mm
ϕ 140 cm	779 mm	260 mm
ϕ 160 cm	893 mm	298 mm

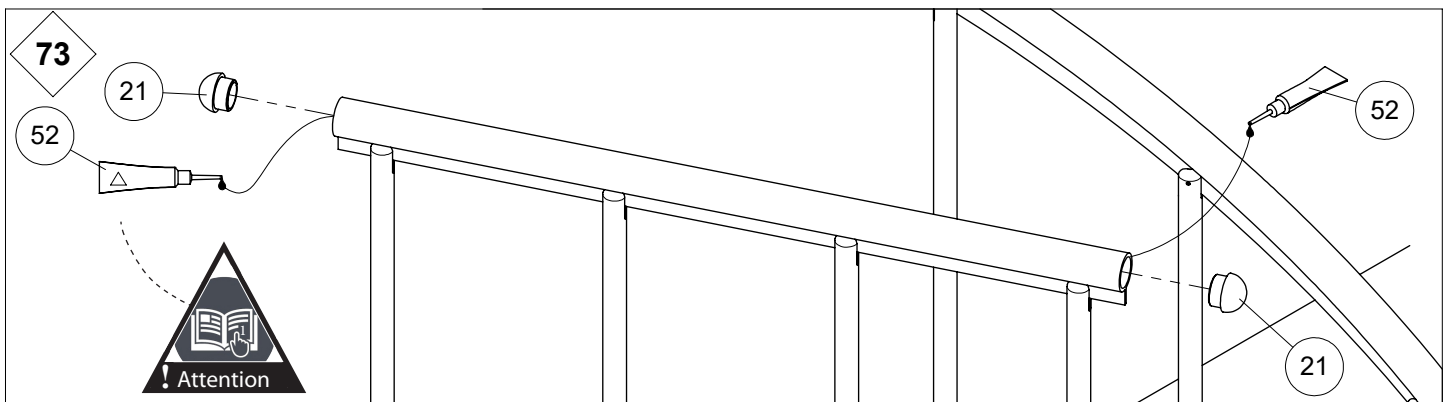
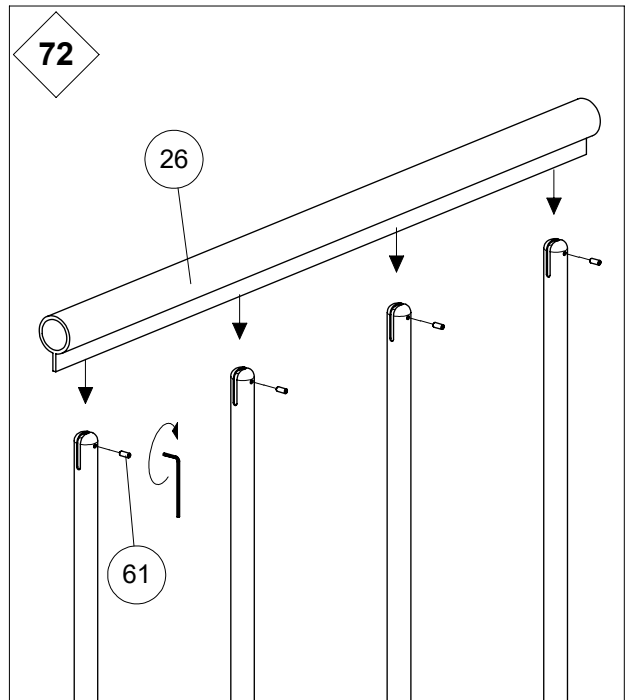
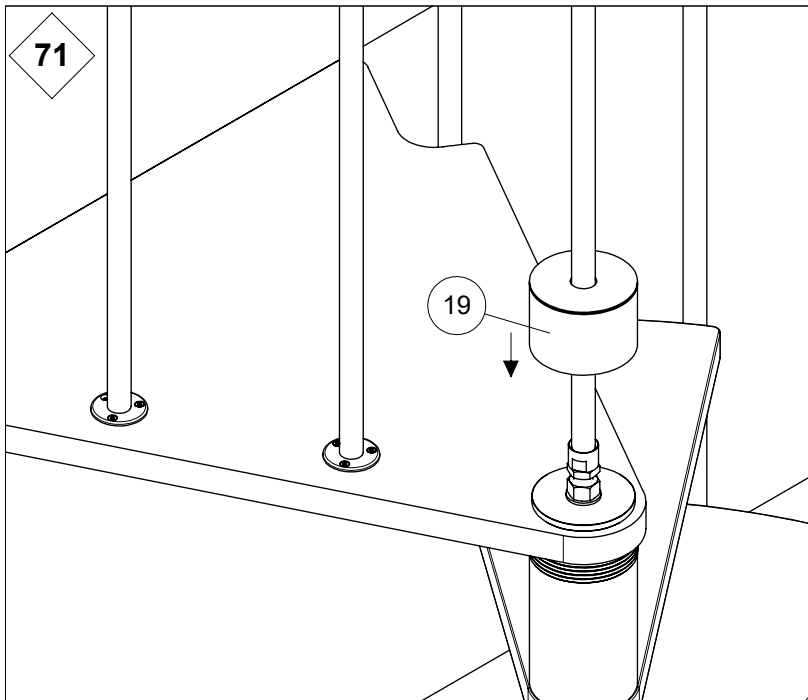
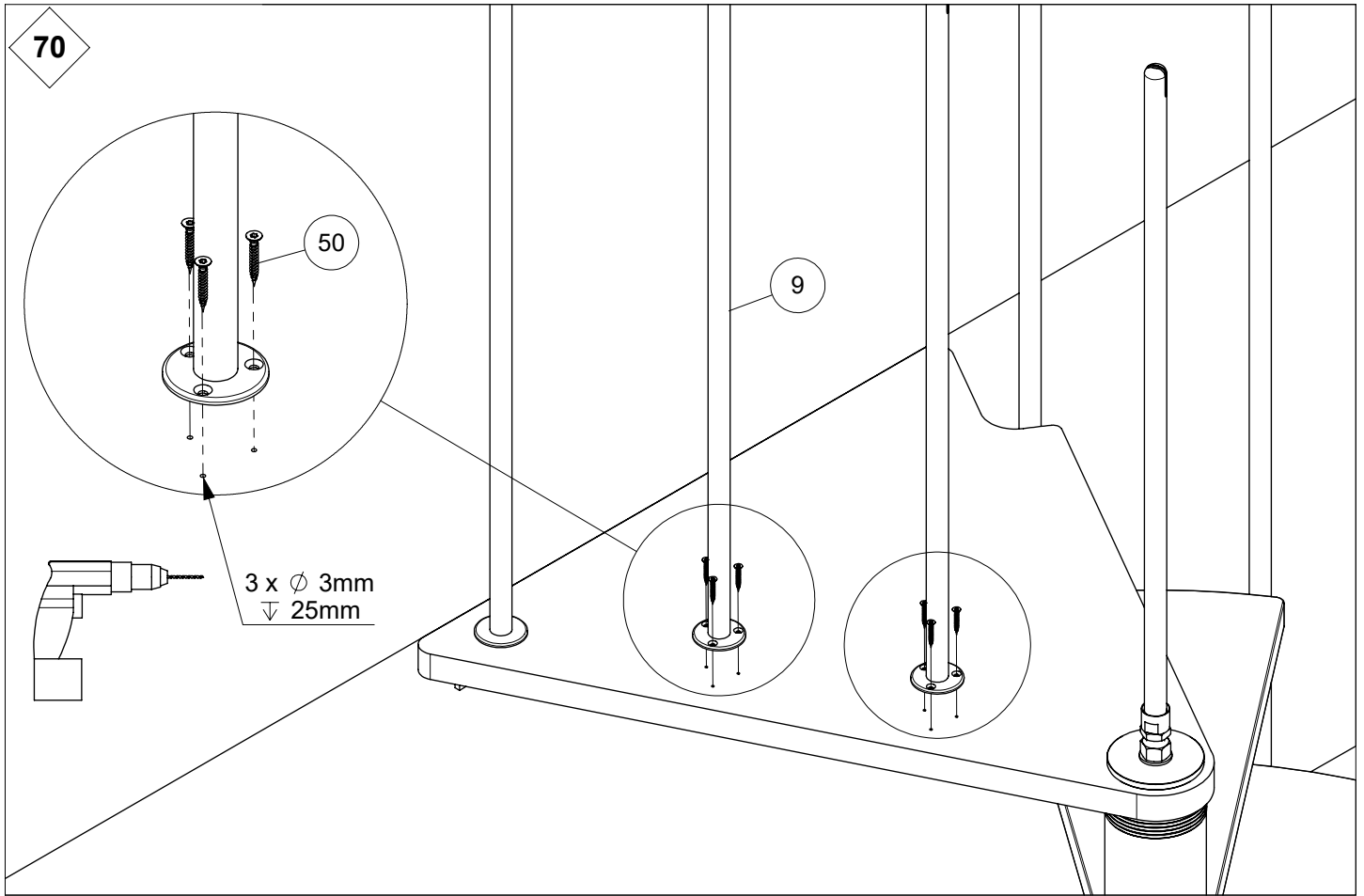


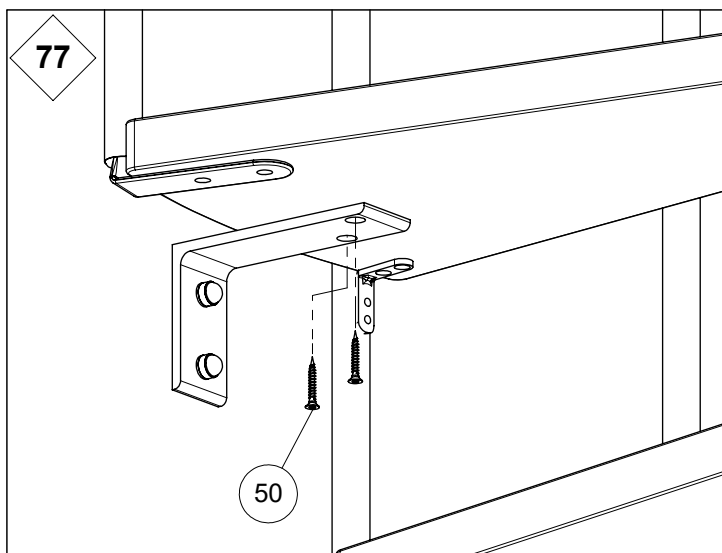
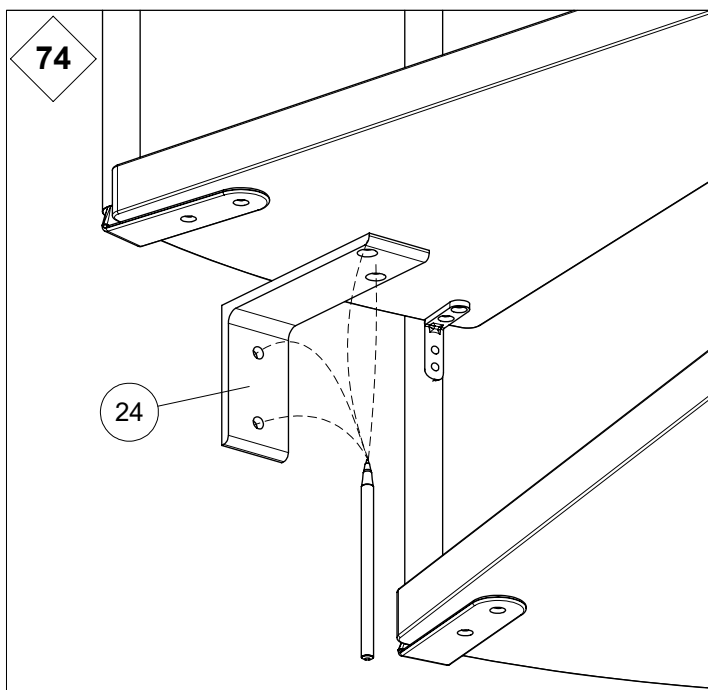
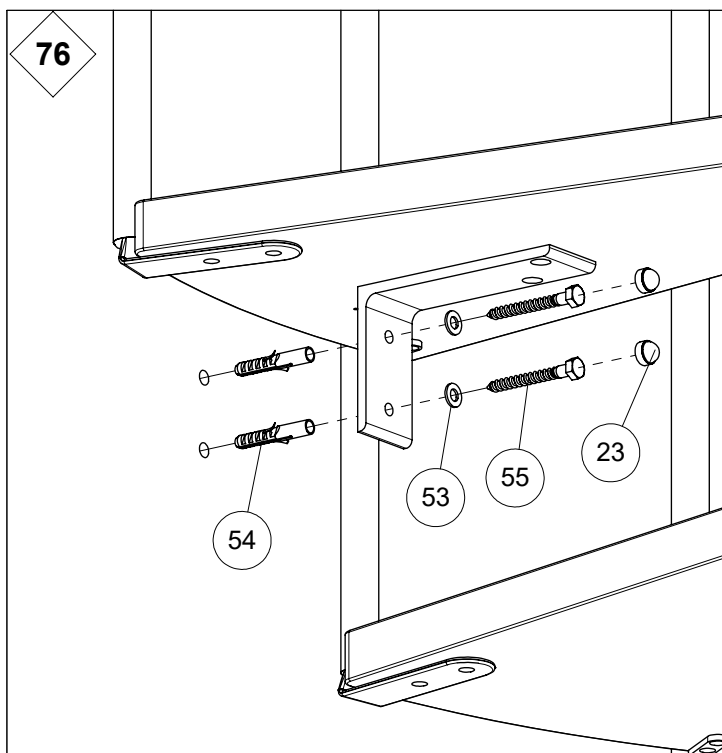
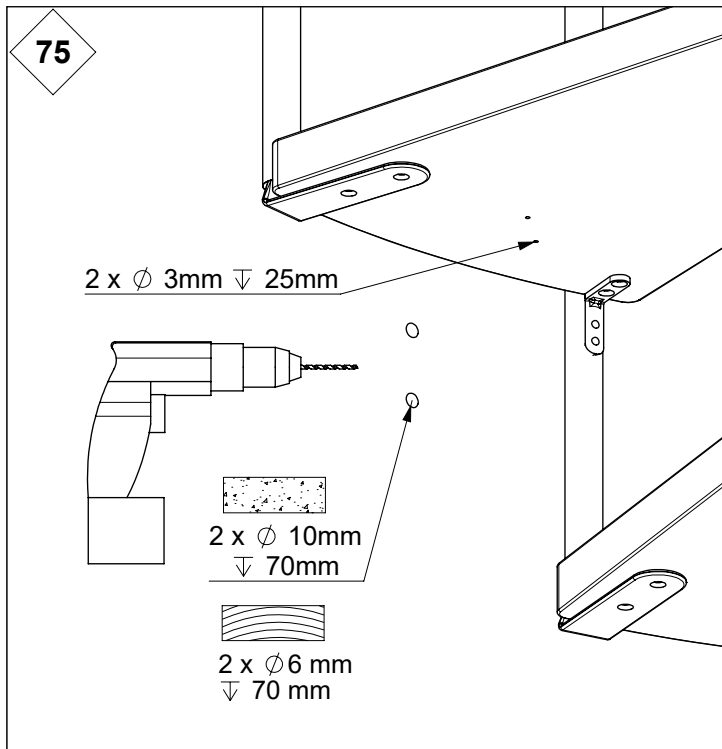
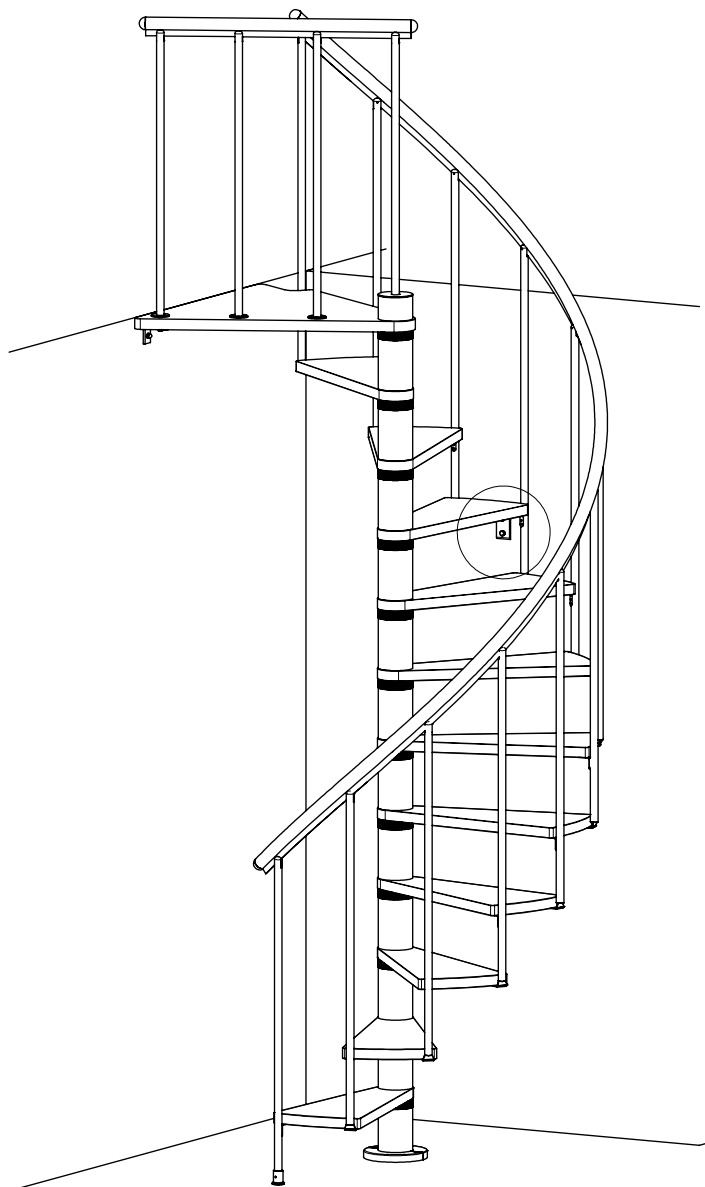
	L	$\frac{1}{3} \times L$
ϕ 120 cm	600 mm	200 mm
ϕ 140 cm	700 mm	233 mm
ϕ 160 cm	800 mm	267 mm



69







78

