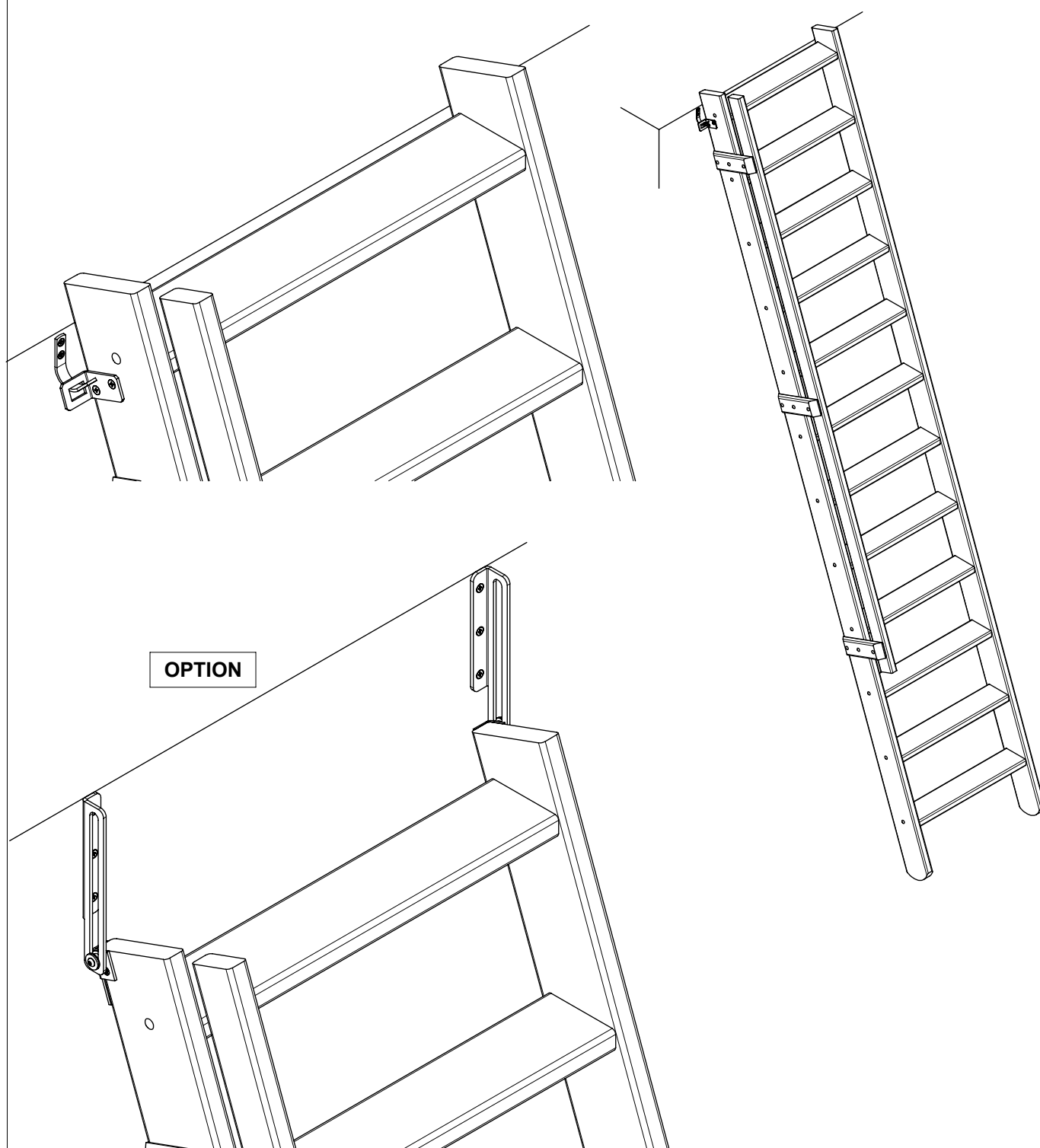
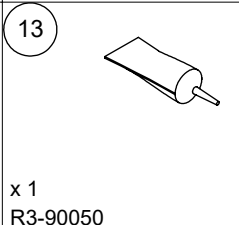
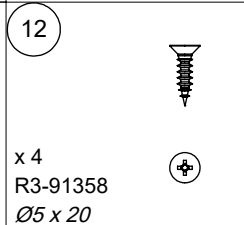
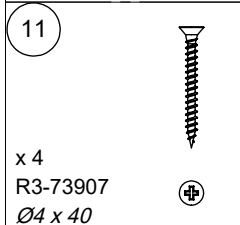
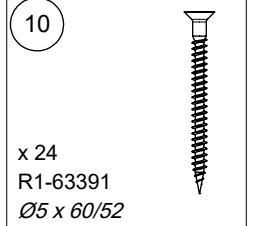
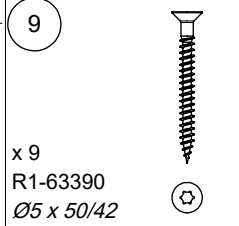
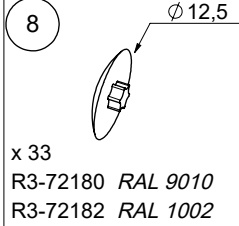
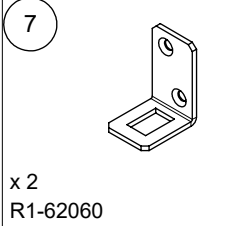
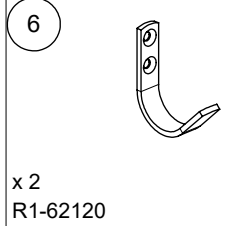
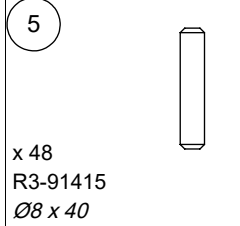
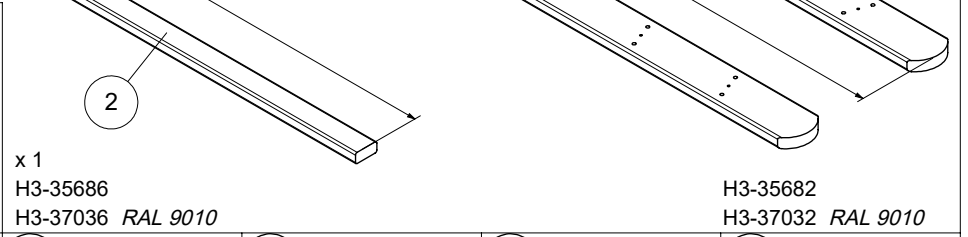
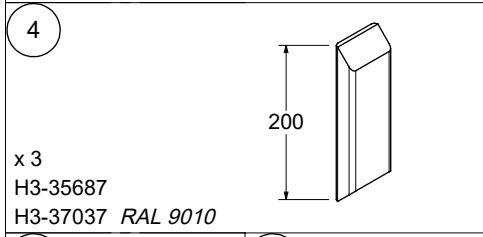
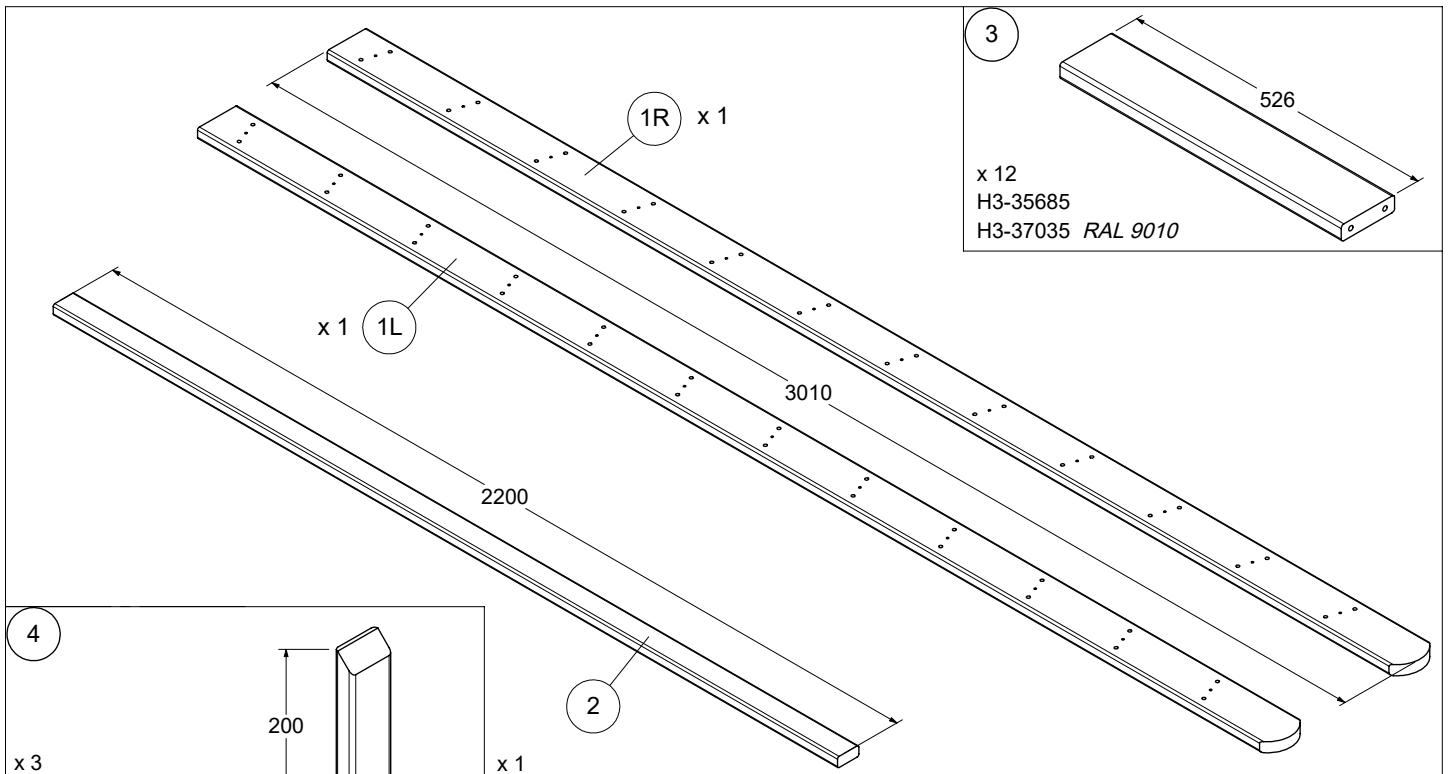


# BERGEN

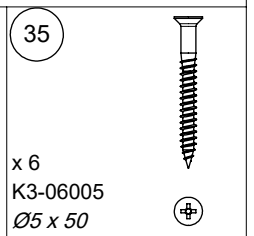
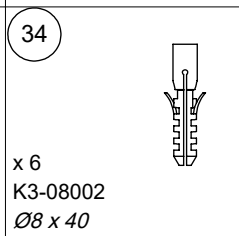
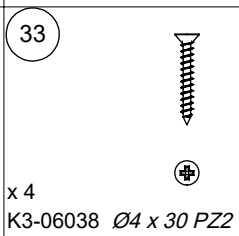
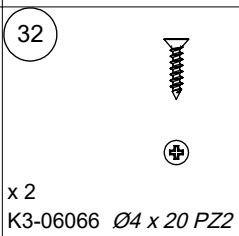
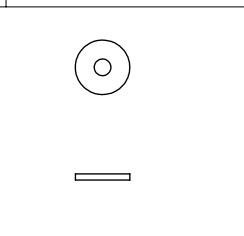
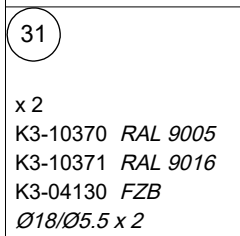
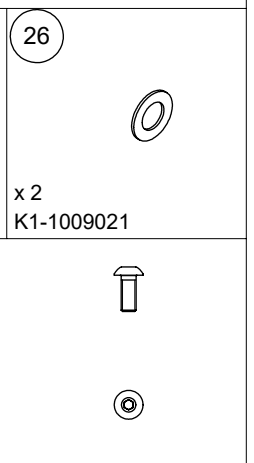
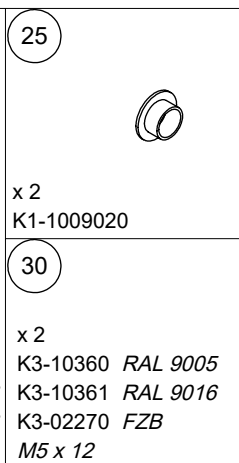
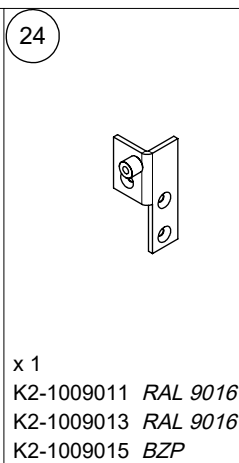
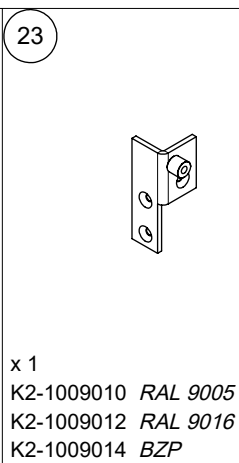
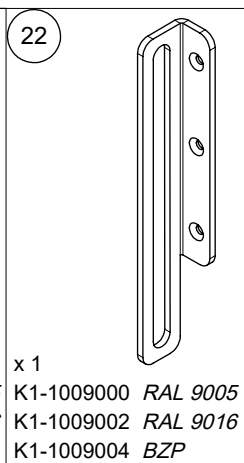
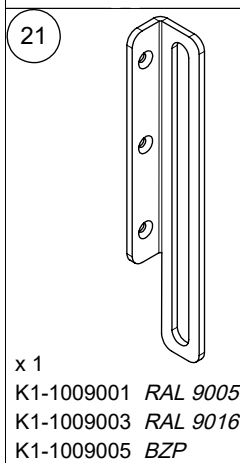
## Mezzanine ladder

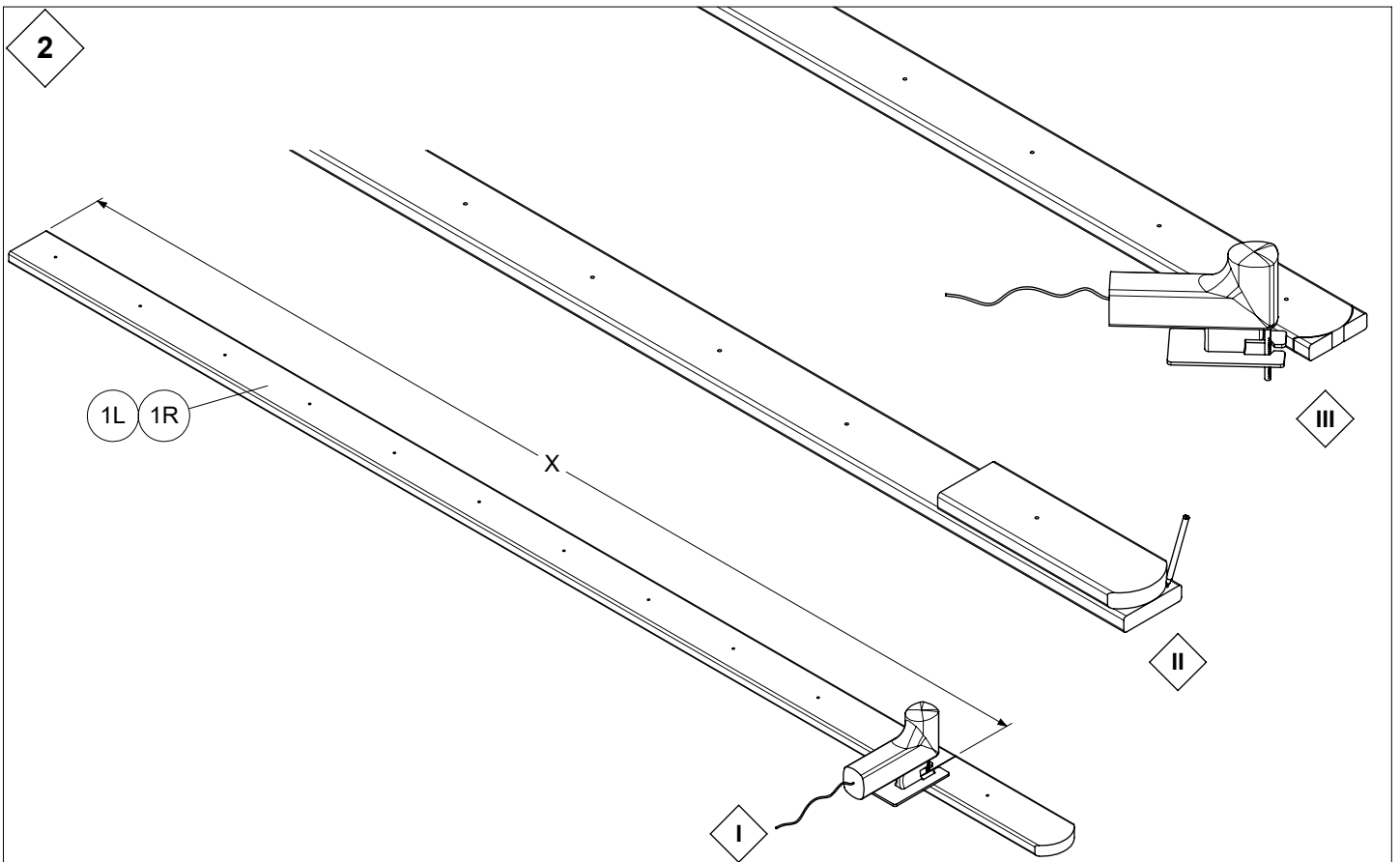
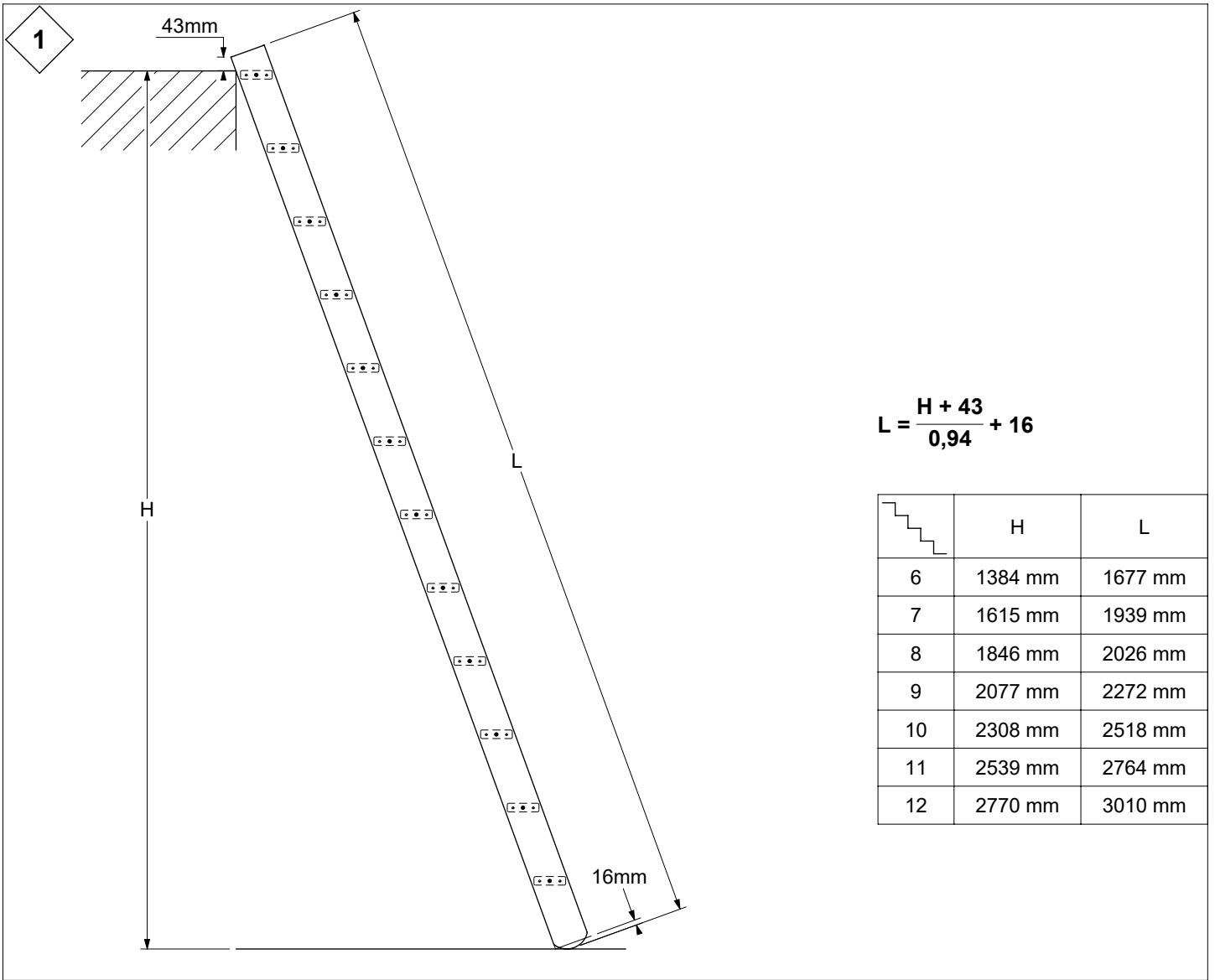
Assembly instruction

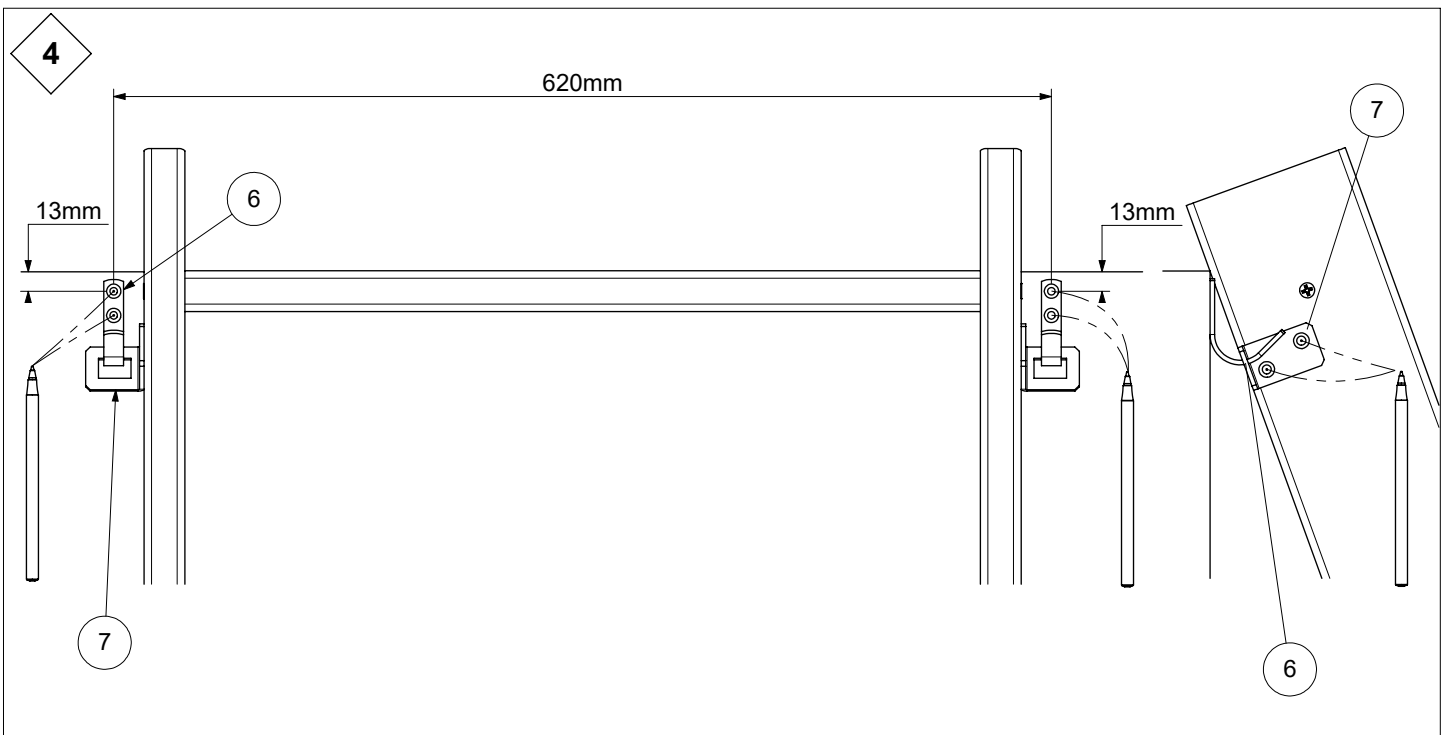
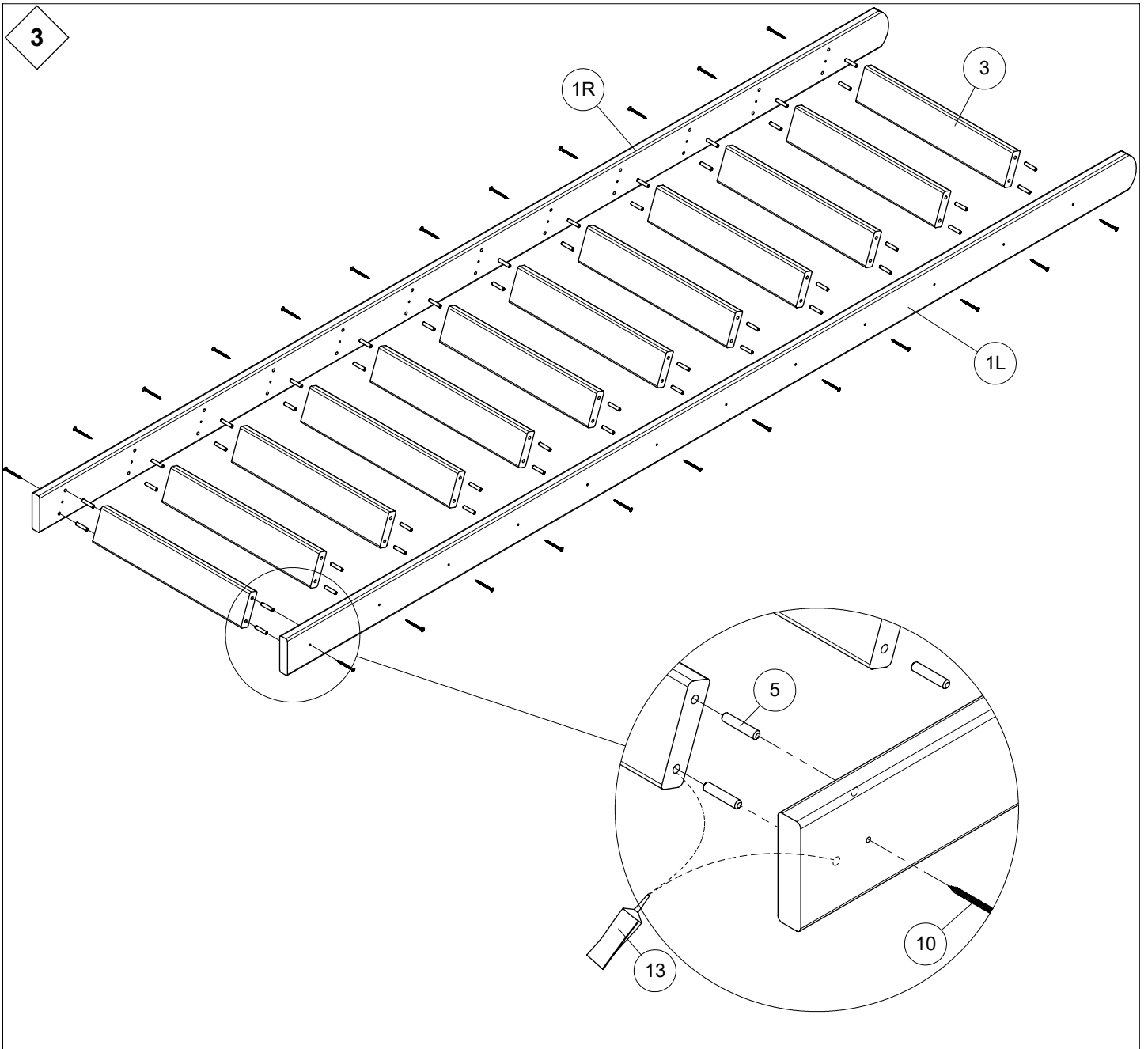


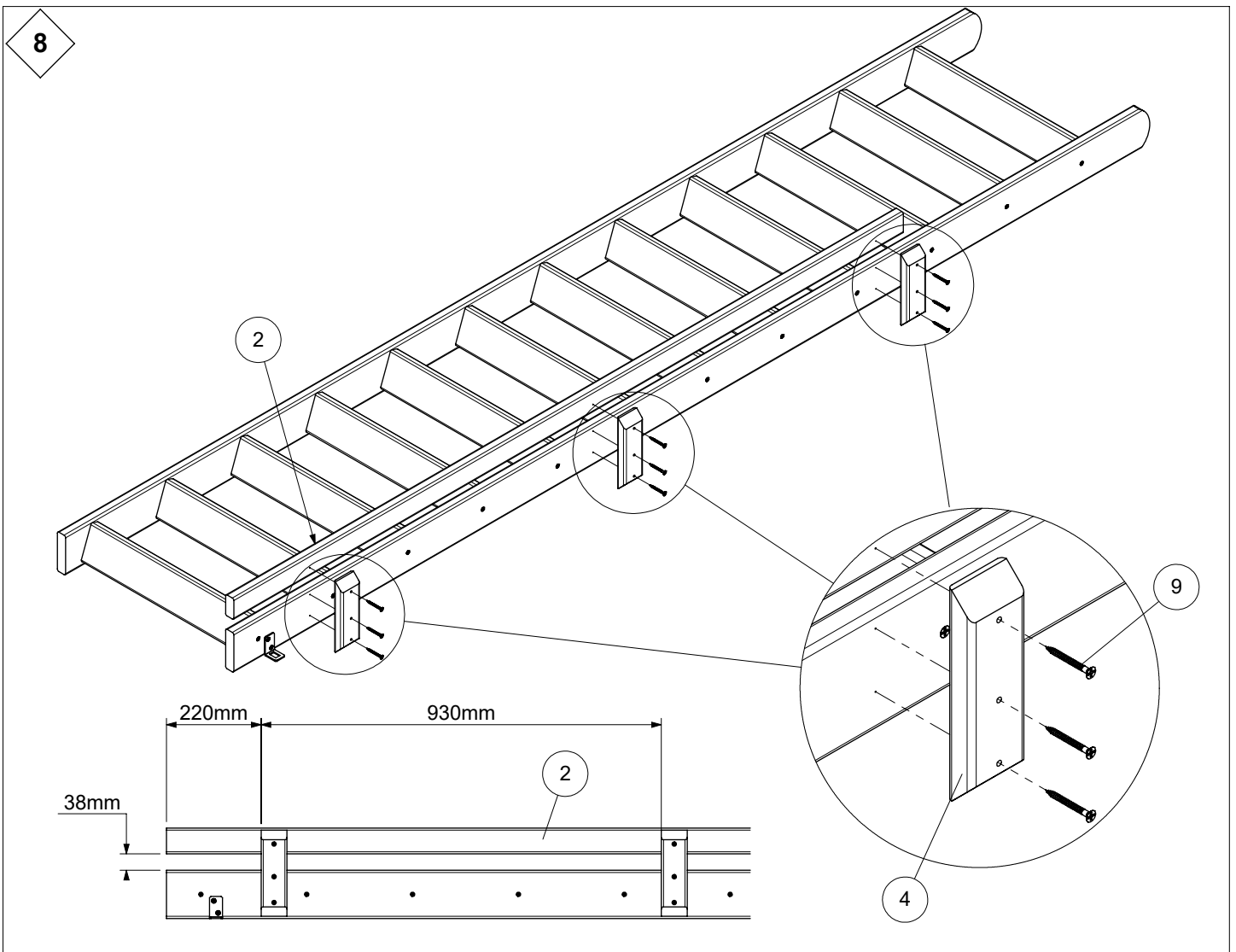
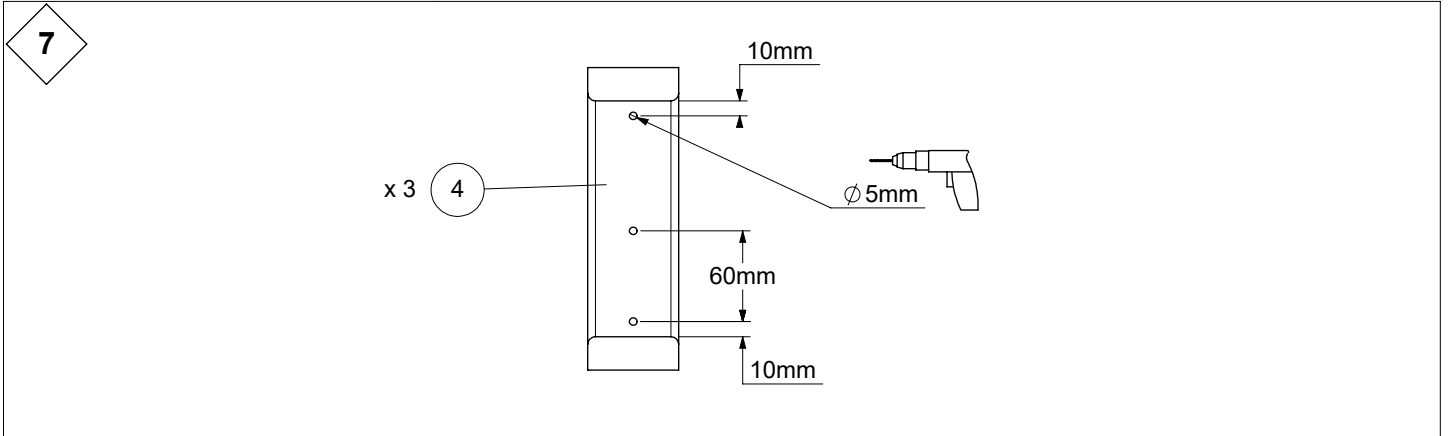
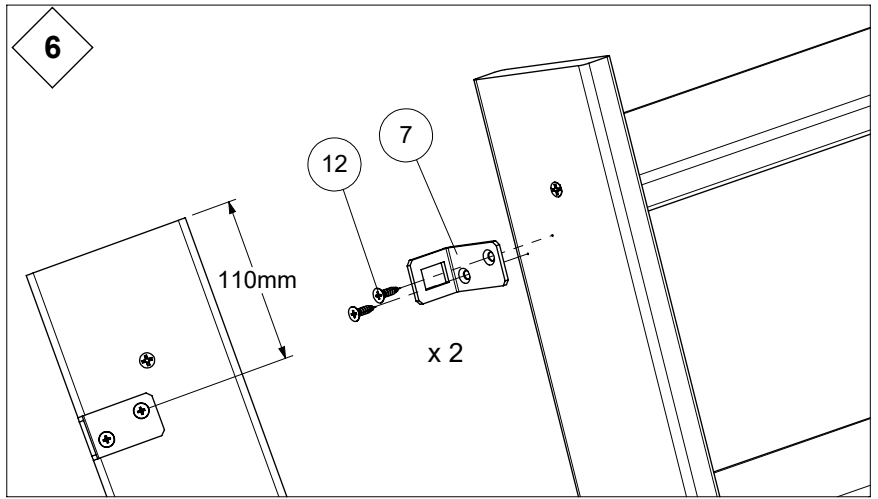
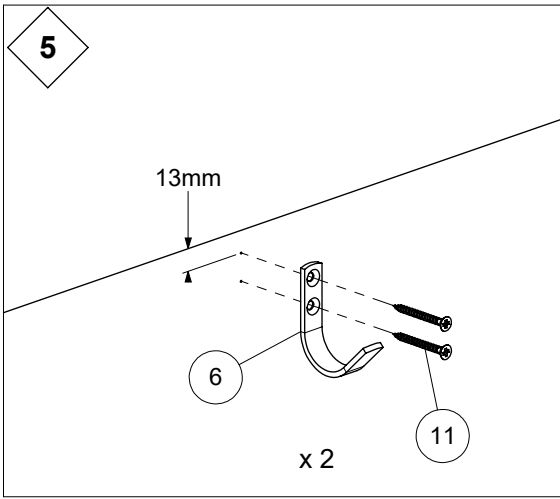


OPTION	1009000 RAL 9005	1009001 RAL 9016	1009002 BZP
--------	------------------	------------------	-------------

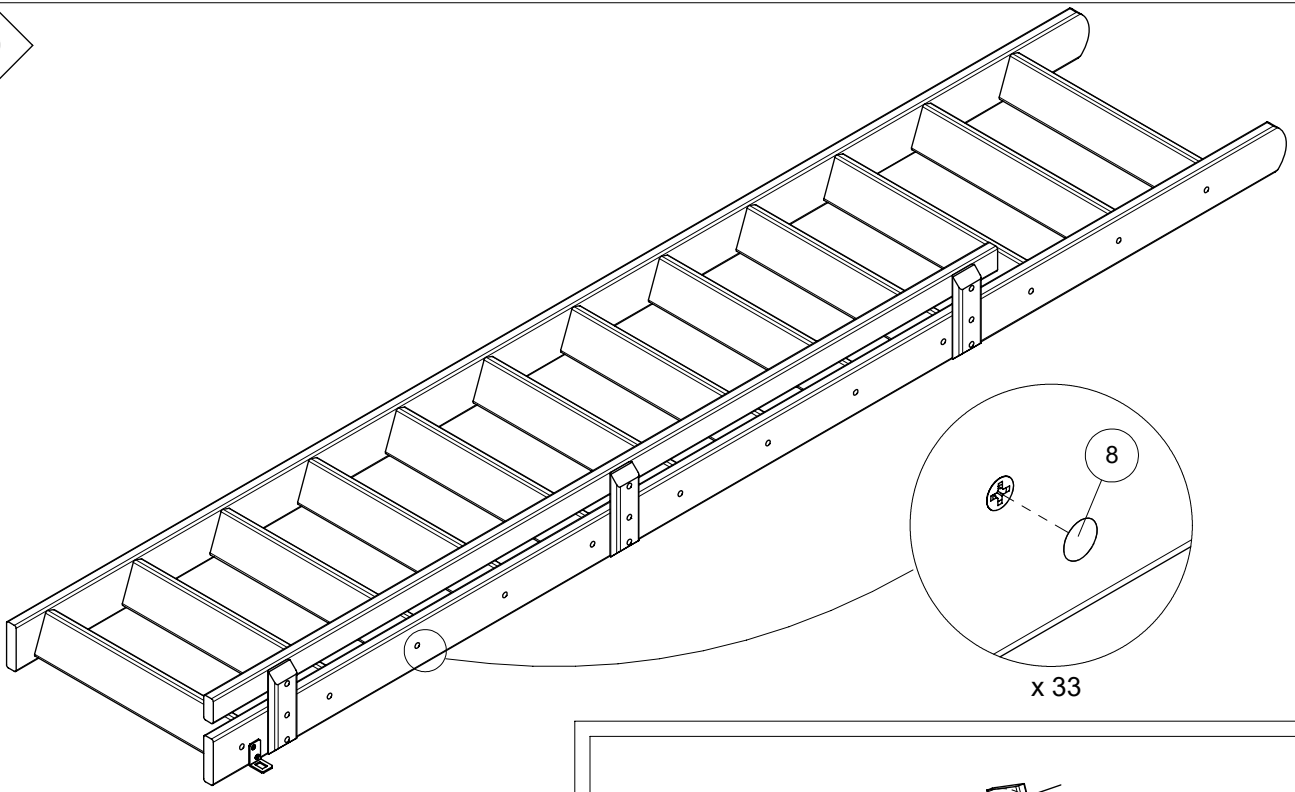




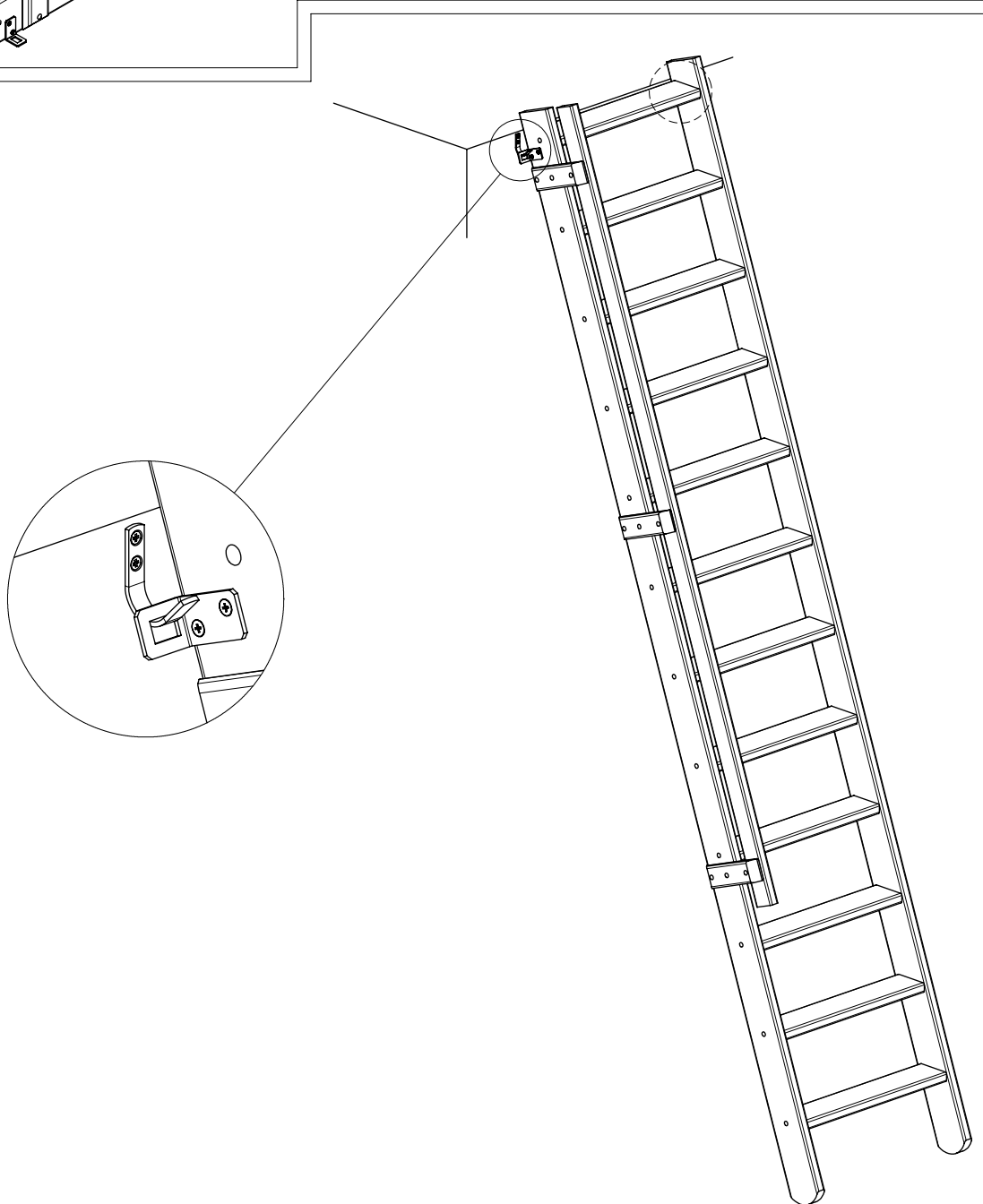




9

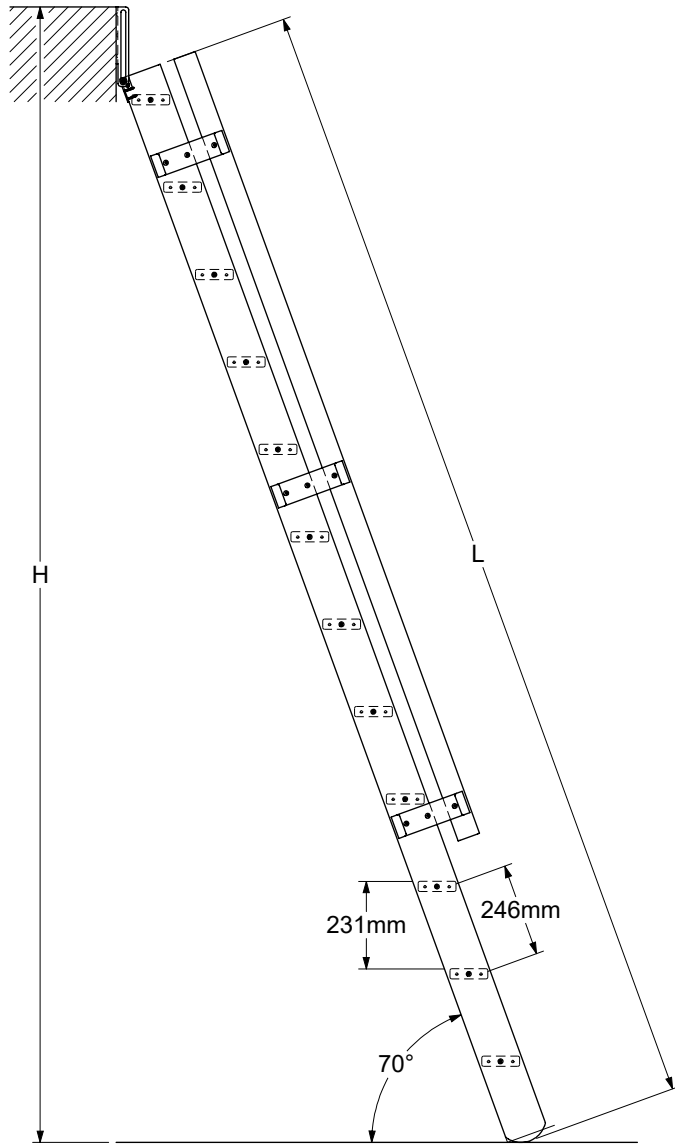


10



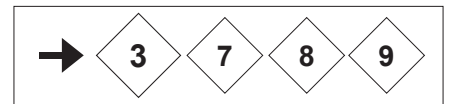
11

OPTION



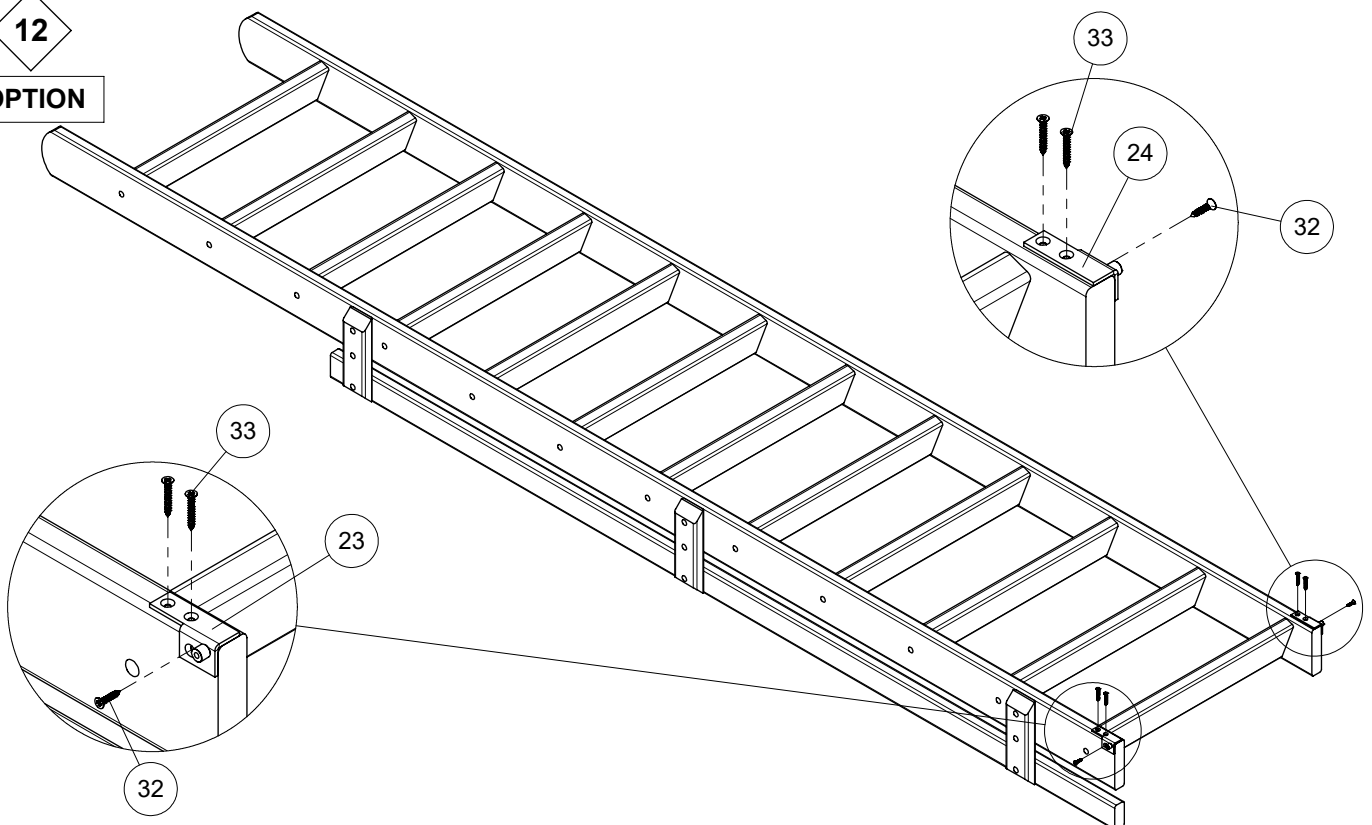
$$L = 1,064 \times H - 186$$

	L	H
	mm	mm
6	1534	1616
7	1780	1847
8	2026	2078
9	2272	2309
10	2518	2540
11	2764	2772
12	3010	3003



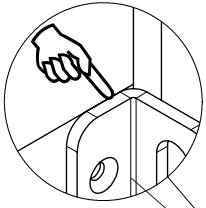
12

OPTION

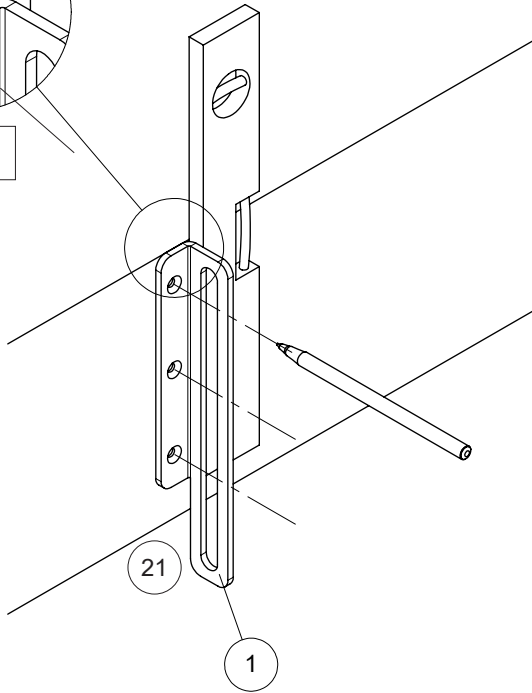


13

OPTION

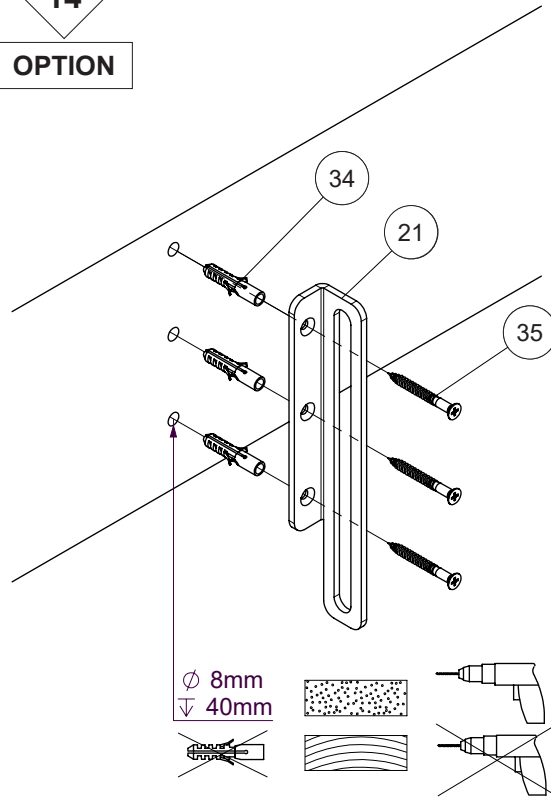


OBS!



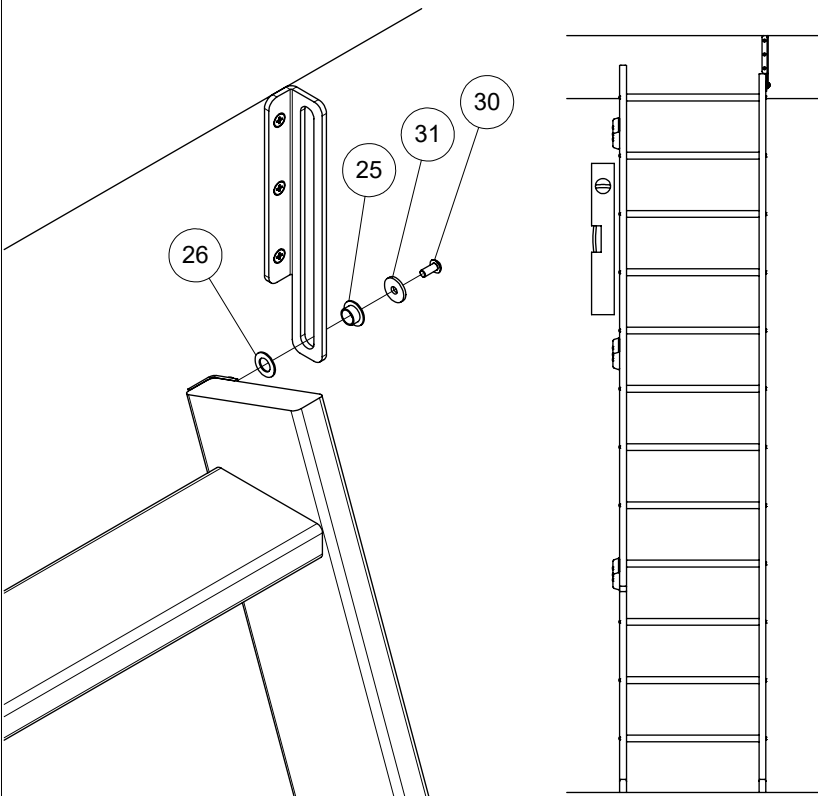
14

OPTION



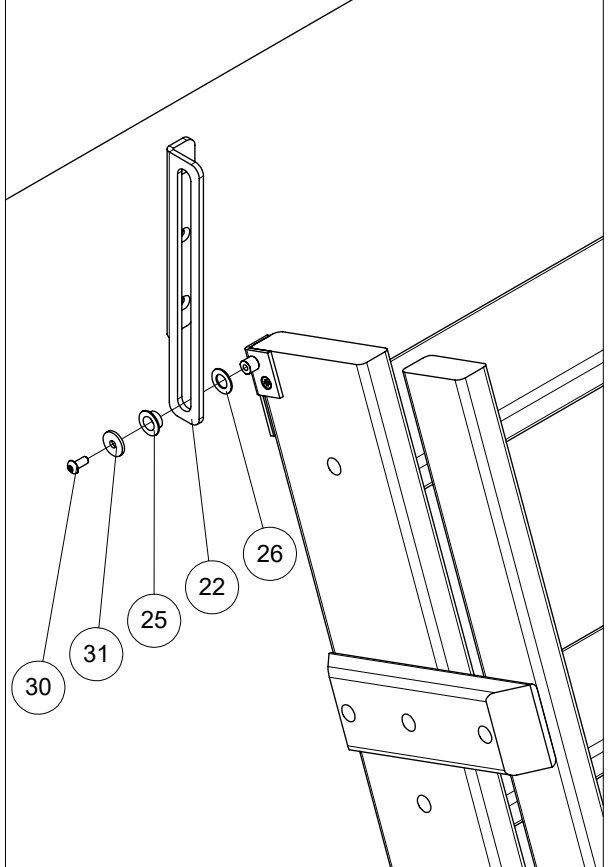
15

OPTION



16

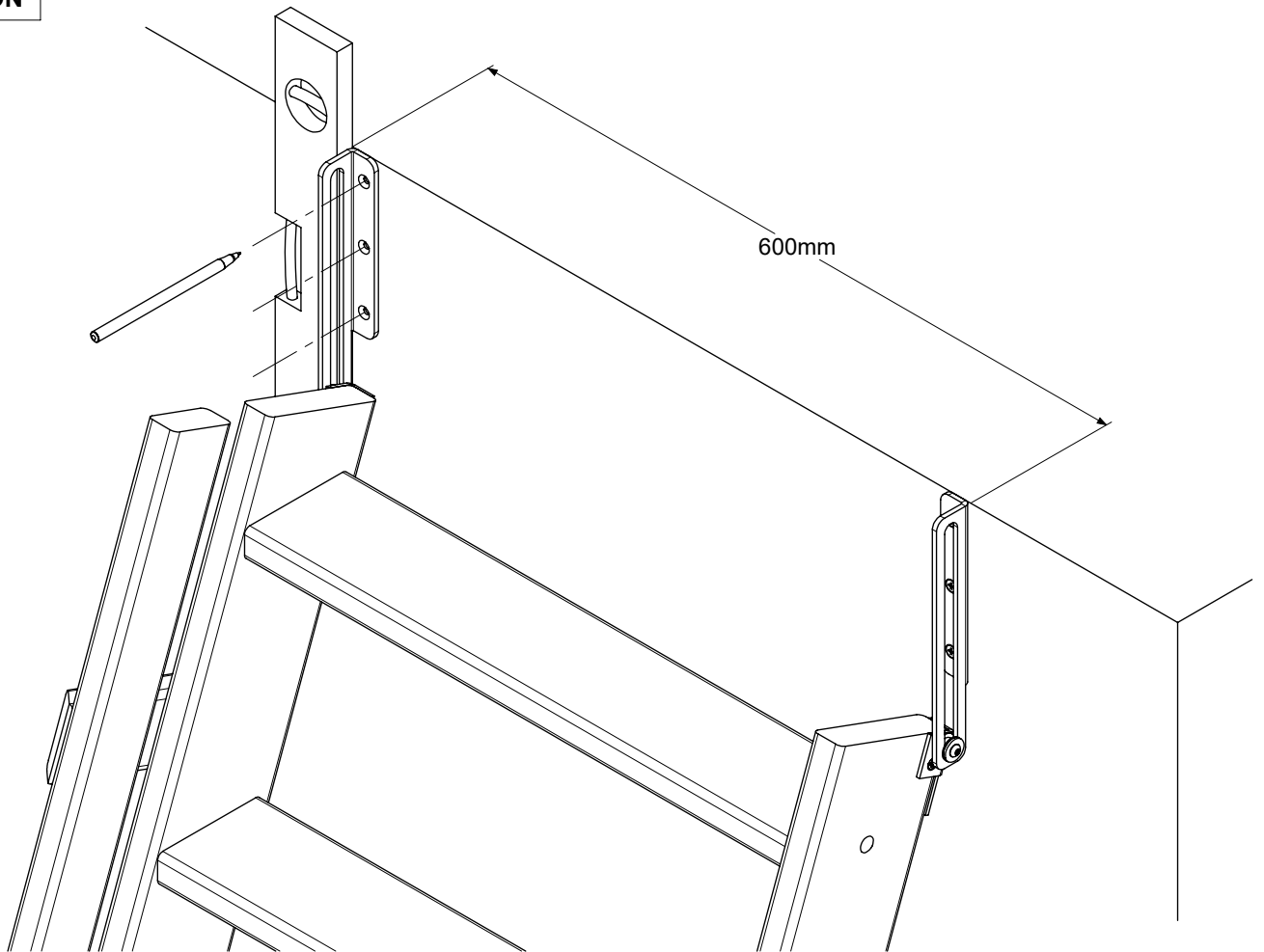
OPTION





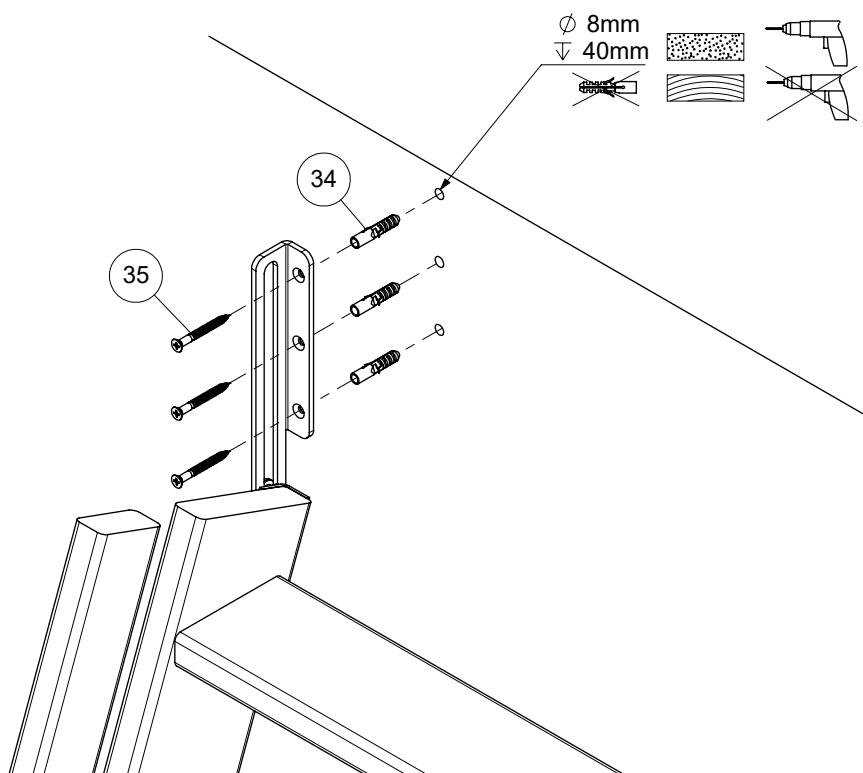
17

OPTION



18

OPTION



19

OPTION

