
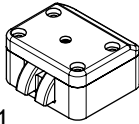
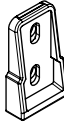

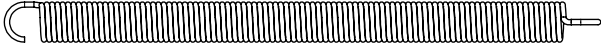

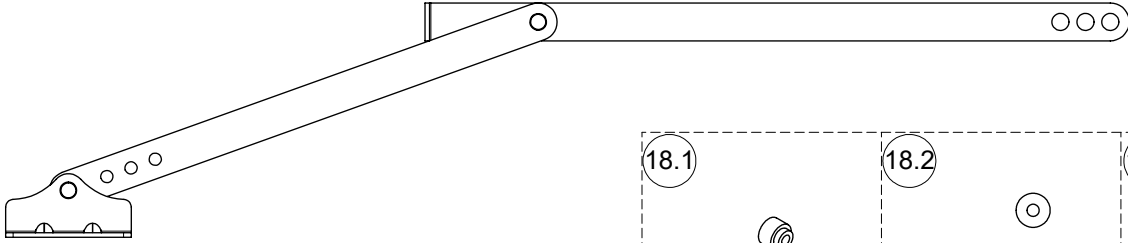







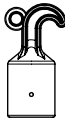
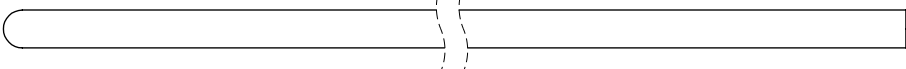
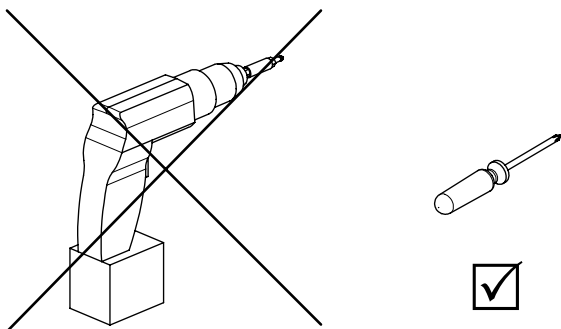
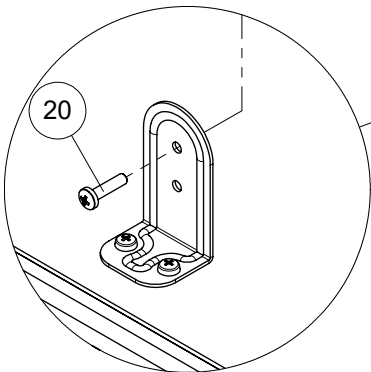
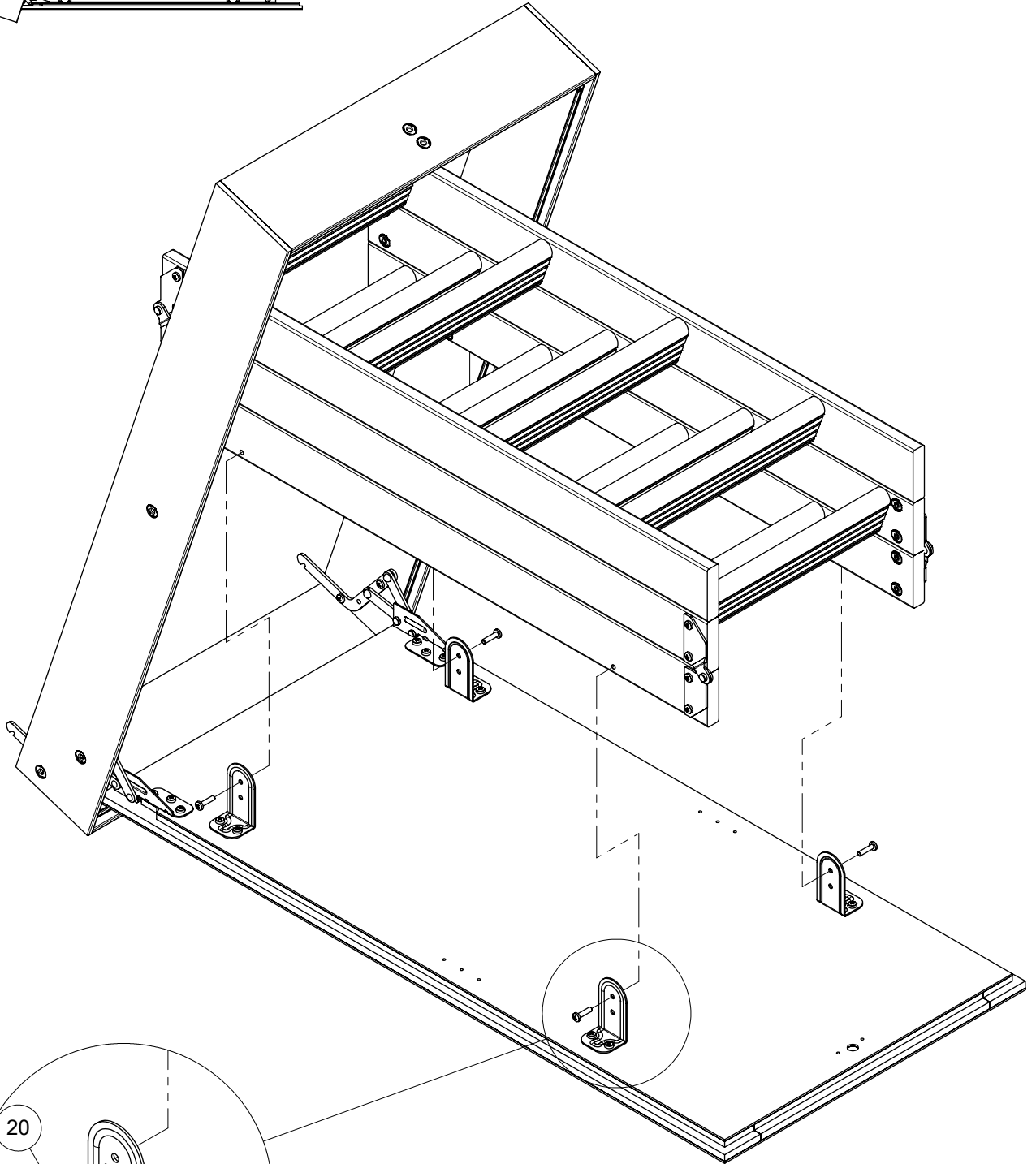
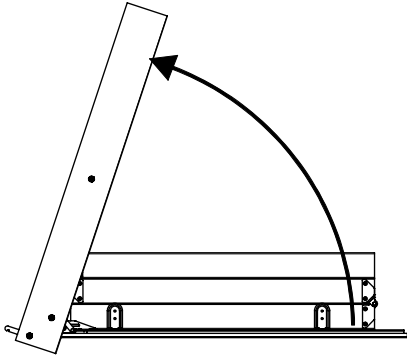


<p>12</p>  <p>× 1 R1-63106</p>	<p>13</p>  <p>× 1 K1-22920</p>	<p>14</p>  <p>× 1 K2-22925</p>	<p>15</p>  <p>× 1 R1-60104</p>
<p>16</p>  <p>× 2 R1-61411</p>		<p>17</p>  <p>× 4 R1-61215</p>	
<p>18</p>  <div style="display: flex; justify-content: space-around; margin-top: 20px;"> <div data-bbox="791 763 1032 992"> <p>18.1</p>  <p>× 2 K1-03030</p> </div> <div data-bbox="1032 763 1273 992"> <p>18.2</p>  <p>× 2 K3-04005 Ø6</p> </div> <div data-bbox="1273 763 1527 992"> <p>18.3</p>  <p>× 2 K3-01020 M6 x 30</p> </div> </div> <p>× 2 C2-10203</p>			
<p>20</p>  <p>× 6 R1-63119 M6 x 20</p>	<p>21</p>  <p>× 6 R1-63272 Ø6 x 25</p>	<p>22</p>  <p>× 4 R1-63242 Ø3,5 x 45</p>	
<p>28</p>  <p>× 1 R1-63216 Ø3,5 x 16</p>	<p>29</p>  <p>× 1 K1-22035</p>	<p>30</p>  <p>× 1 R1-40980</p>	

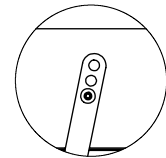
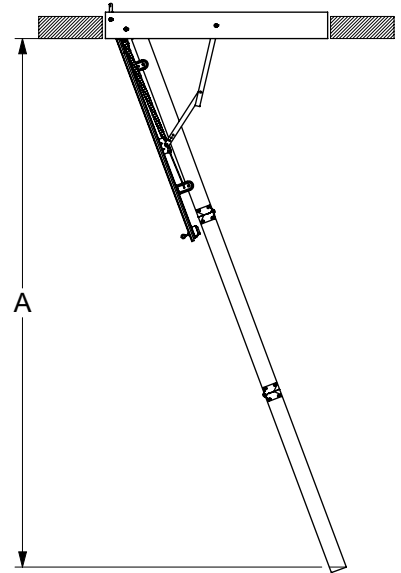
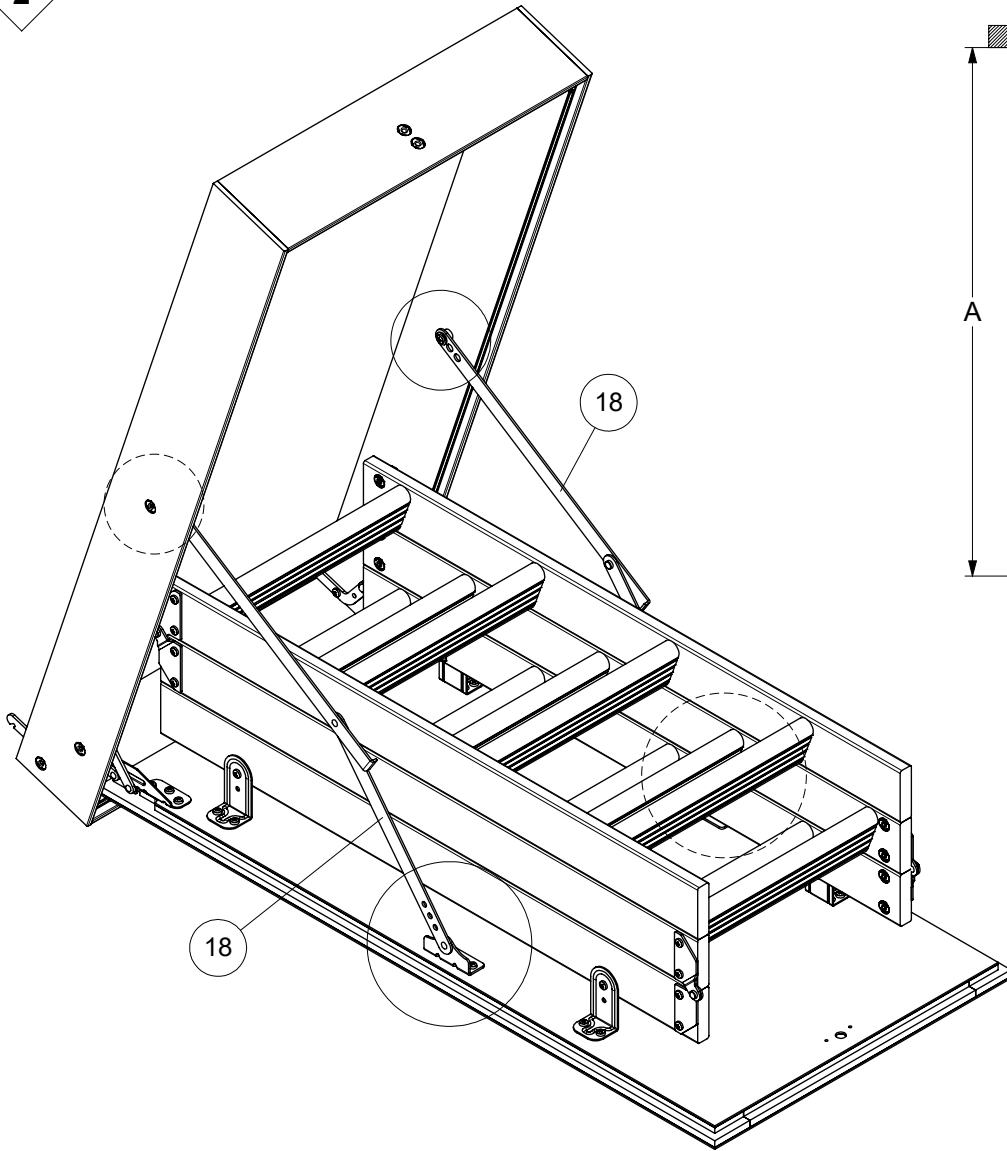


1

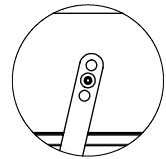


× 4

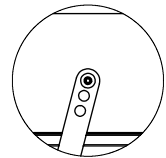
2



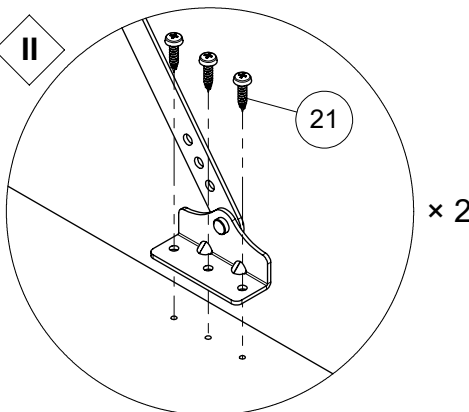
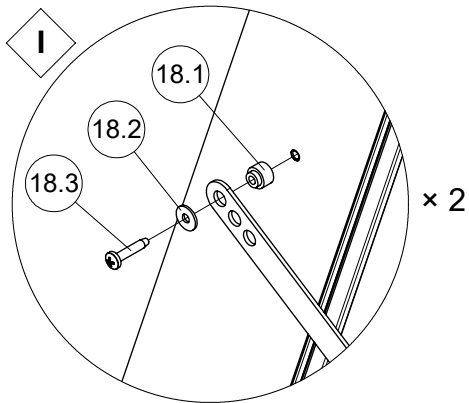
Pos. 1  
A



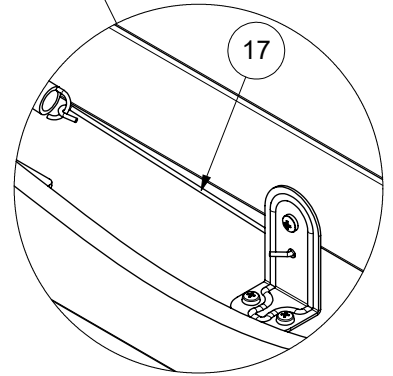
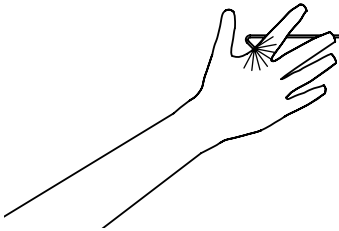
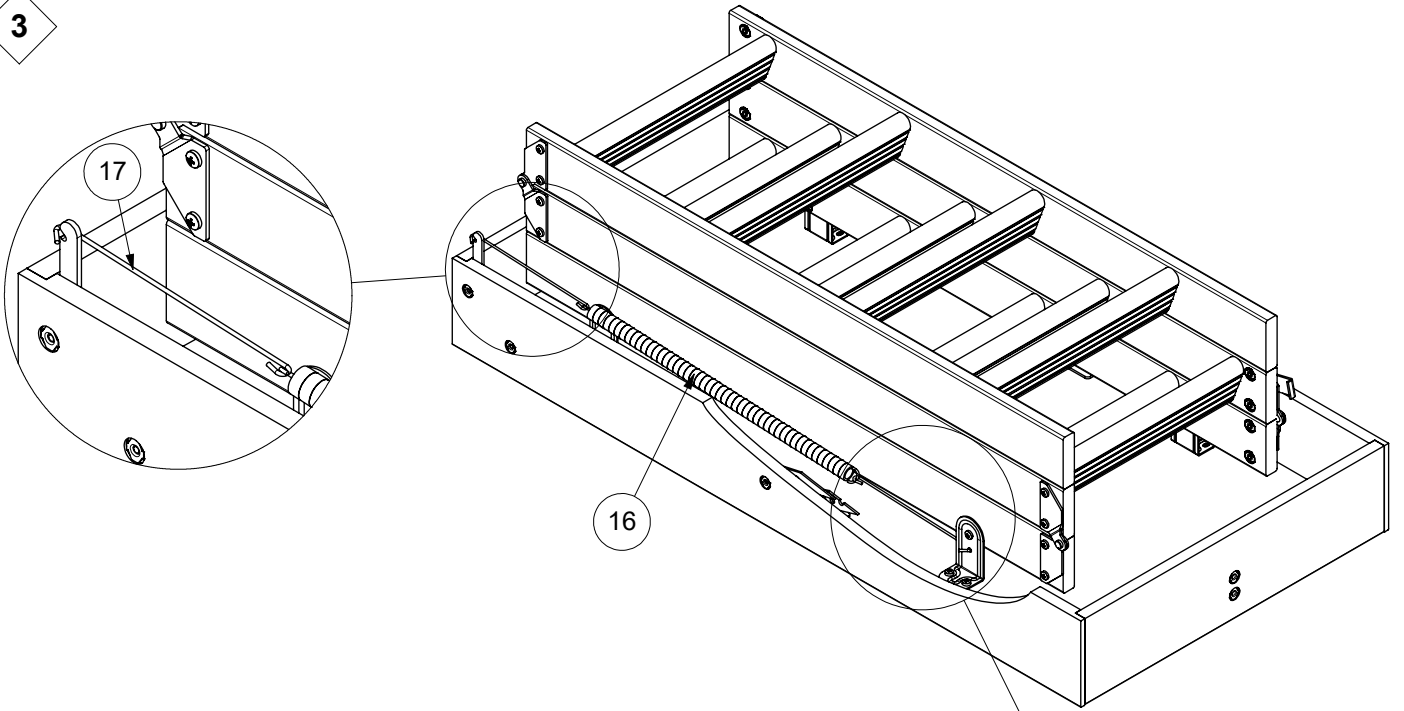
Pos. 2  
A + 45 mm



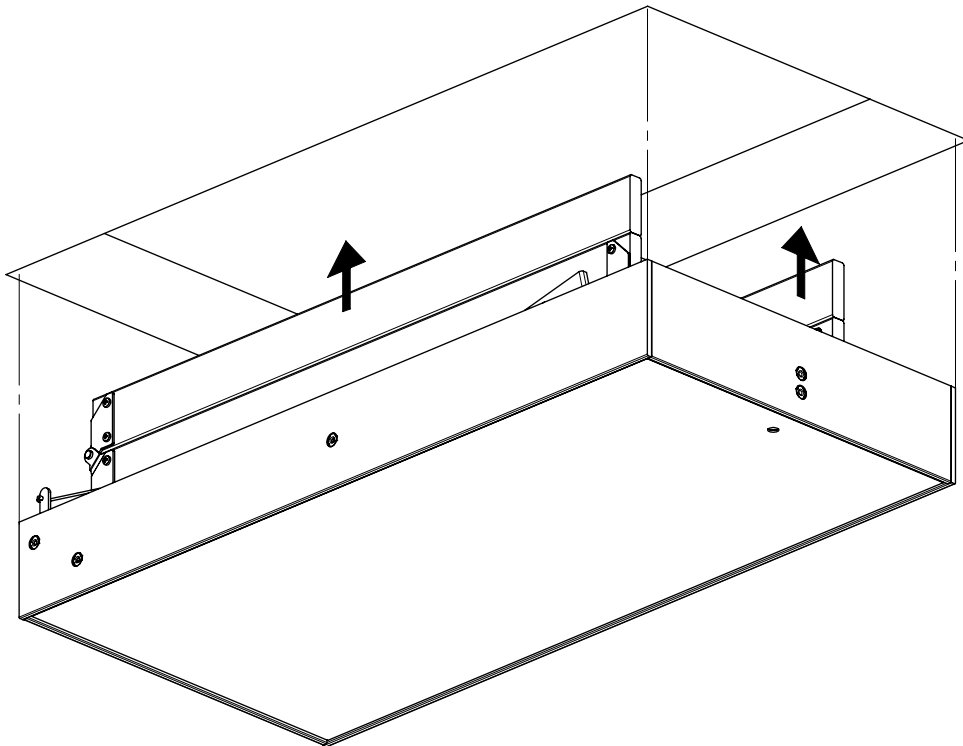
Pos. 3  
A + 90 mm



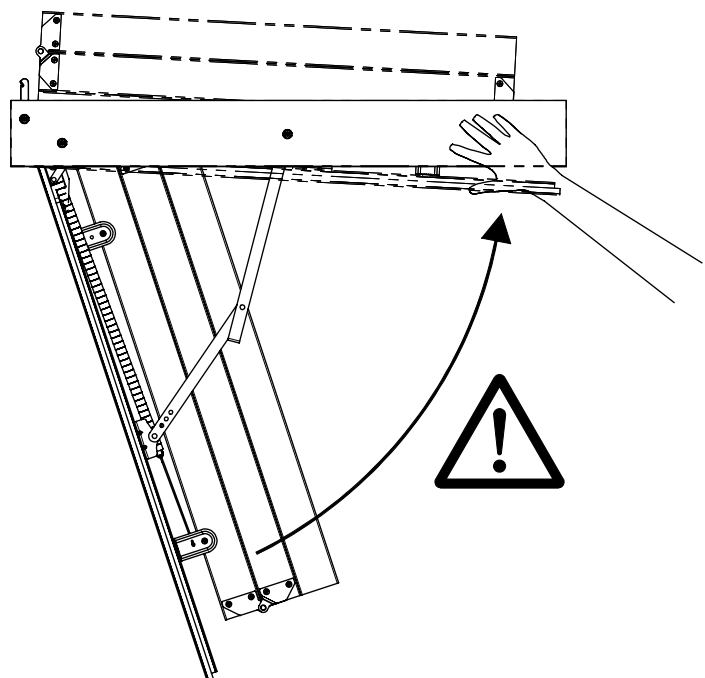
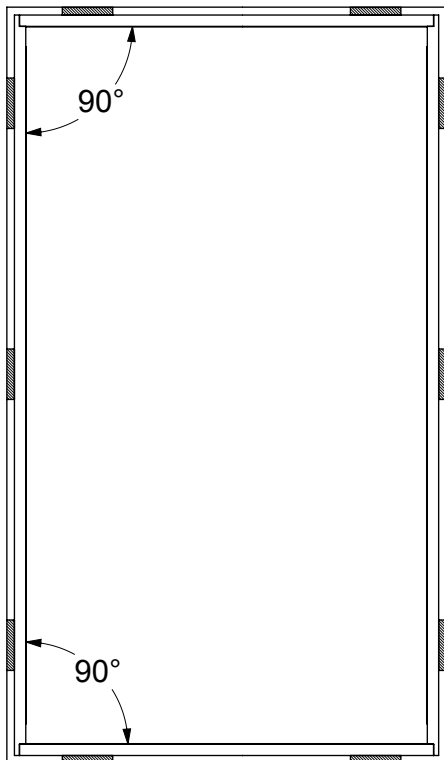
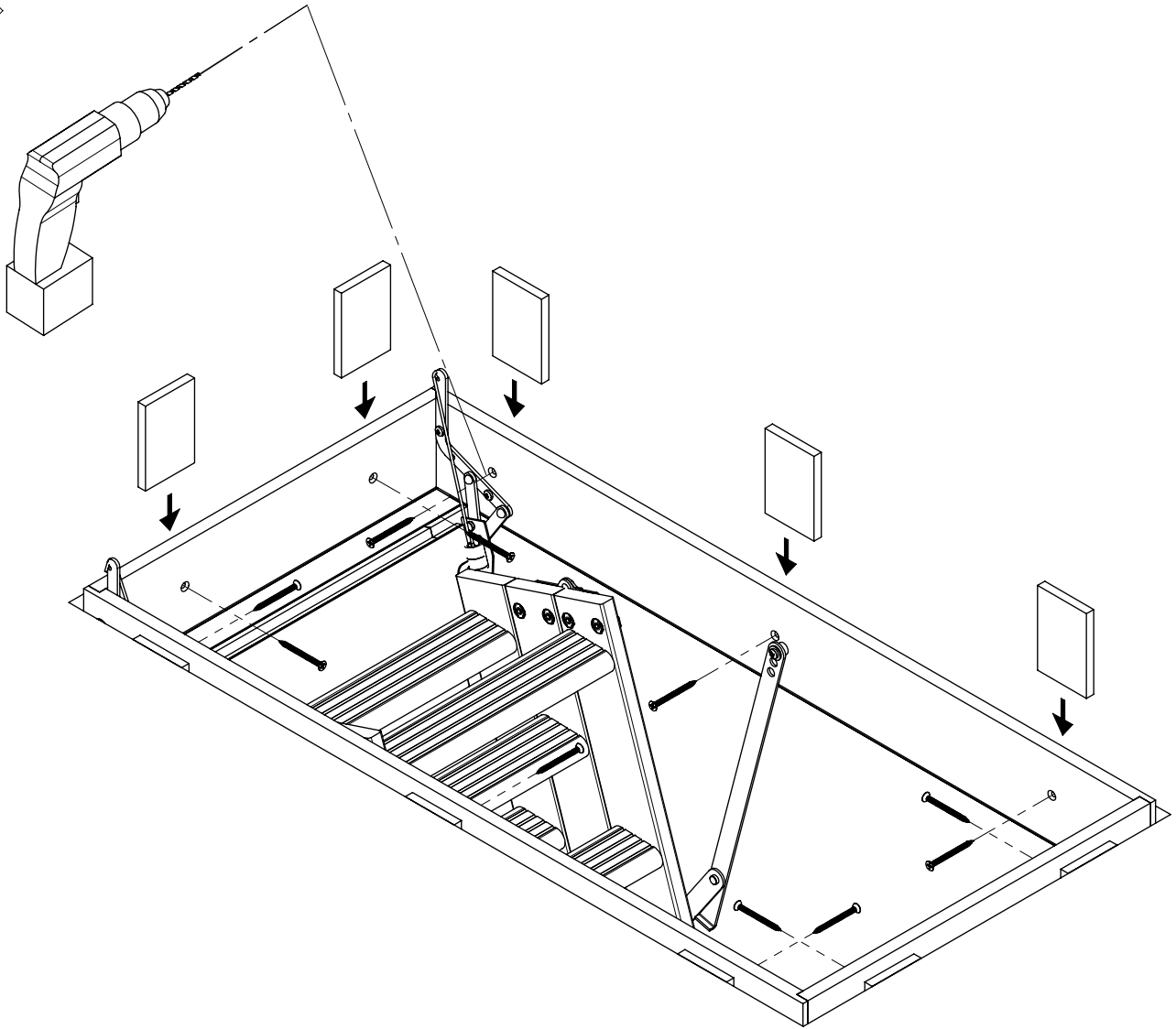
3



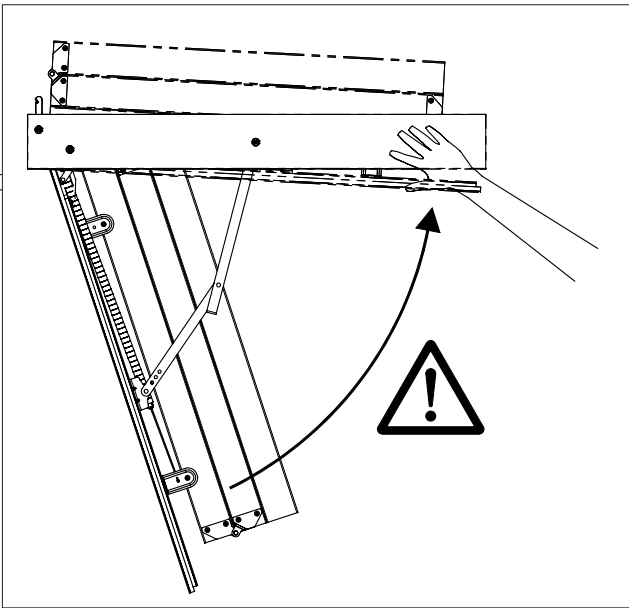
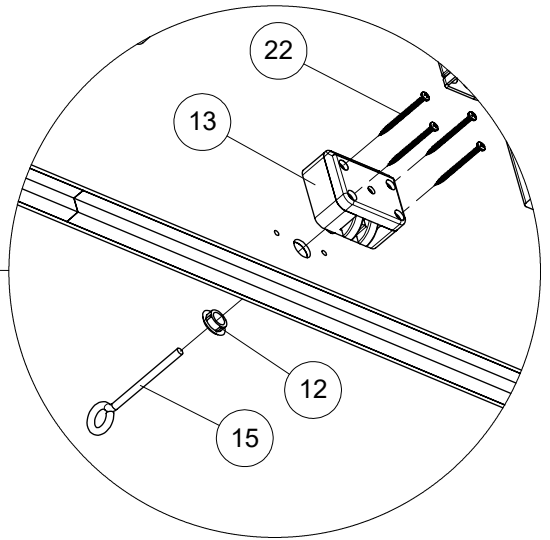
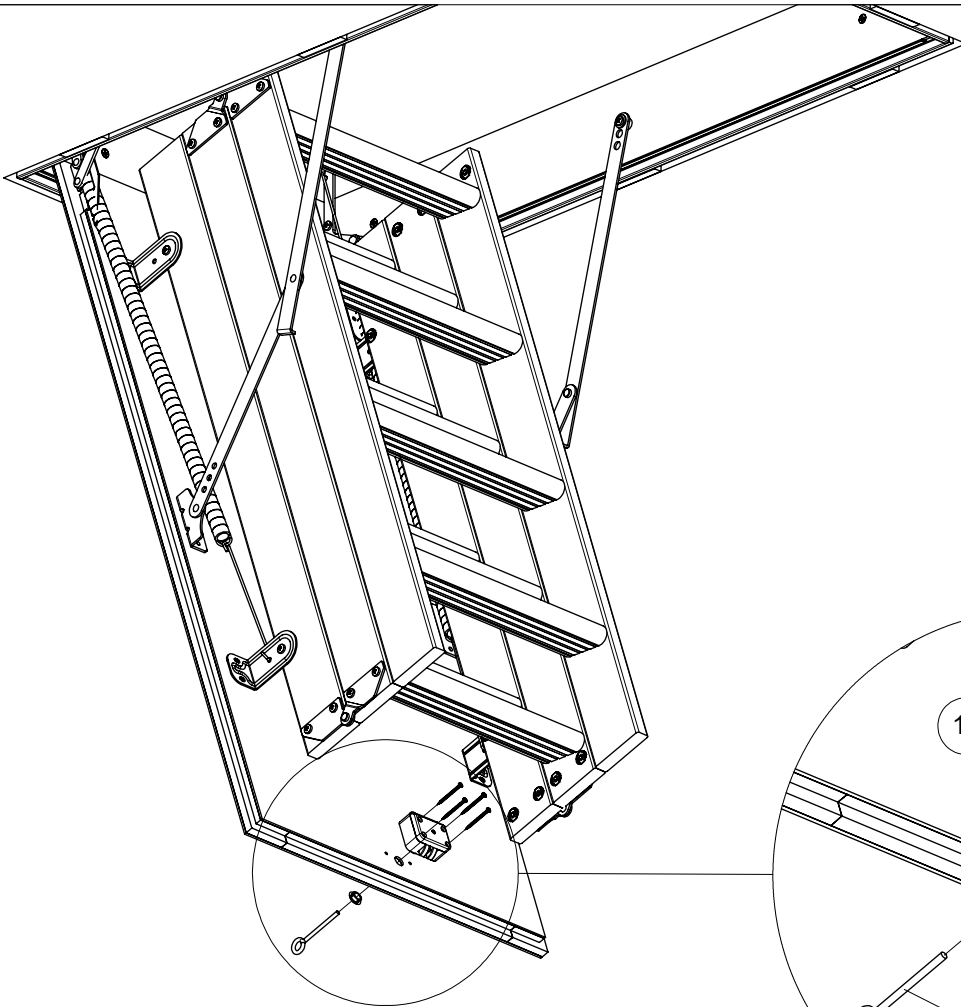
4



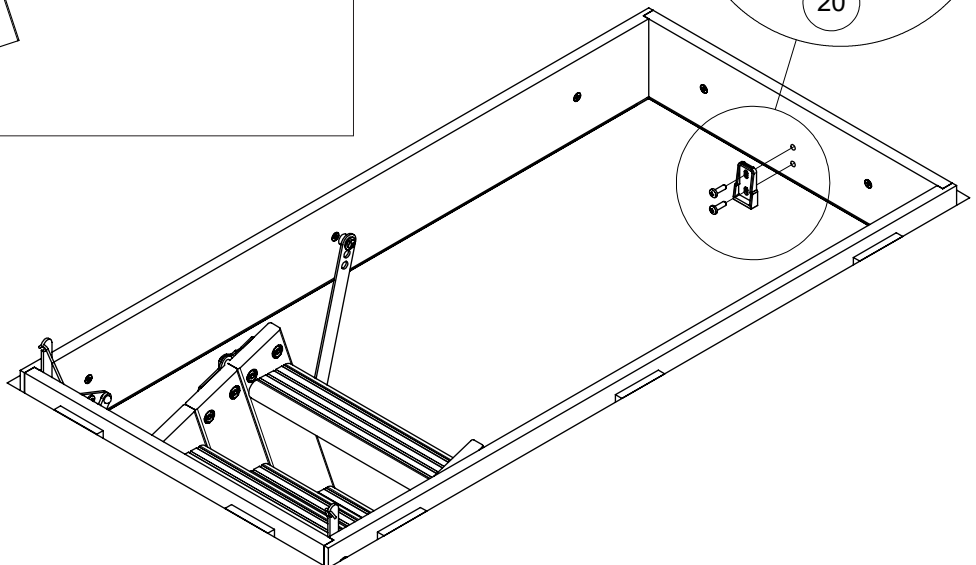
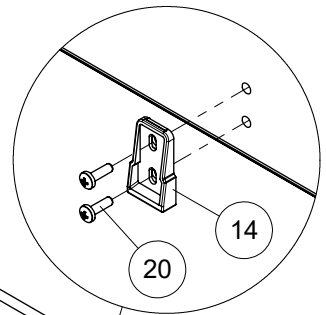
5



6



7



8

